

Ordering Code:

CU31 24 P * A H L A 00* - NH
 ① ② ③ ④ ⑤ ⑥ ⑦ ⑧ ⑨ ⑩

- ① Series No.
- ② No. of Circuits
- ③ P=Plug
- ④ Plating option:
 A= Gold Flash plated on Contact area, Matte Tin plated on Solderails, Nickel underplating over all
 B= 15u" gold plated on Contact area, Matte Tin plated on Solderails, Nickel underplating over all
 C= 30u" gold plated on Contact area, Matte Tin plated on Solderails, Nickel underplating over all
- ⑤ Shell Material & Plating:
 A=Stainless Steel Ni Plated
- ⑥ Contact Material: H= Copper Alloy
- ⑦ Insulator Material & Color option:
 L= Lcp Black
- ⑧ Packing A= Tray
- ⑨ 002=Without cover
 003=With cover
- ⑩ -NH= For Lead Free wave or IR Reflow Processes & Halogen Free

CVILUX
 2019.10.17
 ISSUED

2019-10-38
 ISSUED

Lead Free Process Halogen-Free

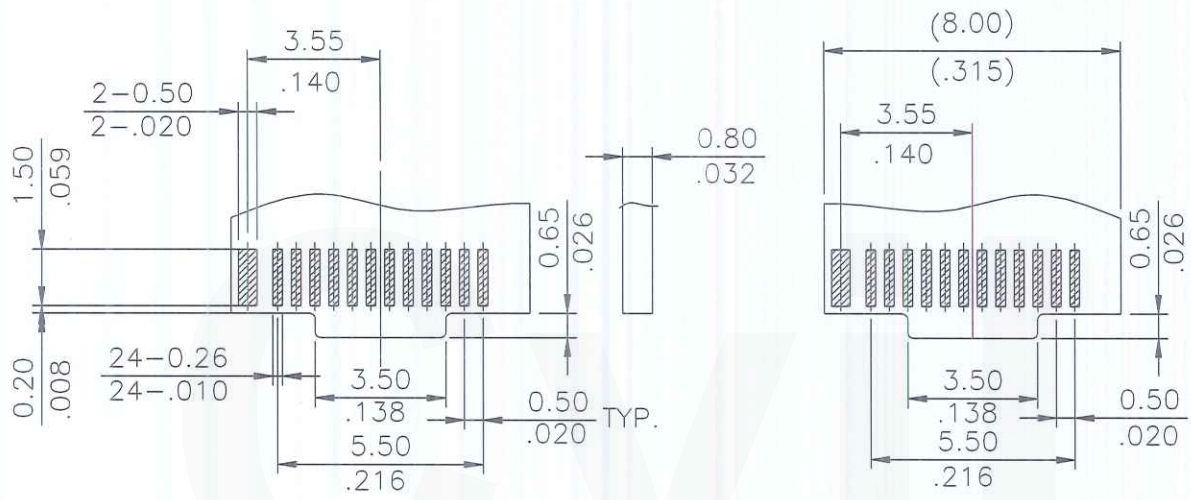
4				DATE	UNIT: mm / inch	TITLE: CU31 Type C/F 24 PIN PCB Clip type	瀚荃股份有限公司 CviLux Corporation
3			DRAWN BY: mark	2019/11/27	TOLERANCE UNLESS OTHERWISE SPECIFIED	MATERIAL:	
2			ENGINEER:		.X ± 0.25/.010 X' ± 4'	DRAWING NO. CU31P02SA PART NO. CU3124PAAHLA00*-NH	
1			CHECKED BY: ken g	2019.9.27	.XX ± 0.20/.008 X' ± 2'		
SYM	NAME	DATE	REVISIONS	APPROVED BY: ken g	.XXX ± 0.10/.004 XX' ±	FINISH:	SCALE 4 / 1 SHEET 1 OF 3

MATERIAL:

- 1.HOUSING: LCP, GLASS FIBER FILLED, BK
- 2.CONTACT: COPPER ALLOY (T=0.15mm)
- 3.GUARD PLATE:STAINLESS STEEL (T=0.10mm)
- 4.SHIELD: STAINLESS STEEL (T=0.20mm)

FINISH:

CONTACT : SEE ORDER INFORMATION
SHELL: NICKEL PLATING



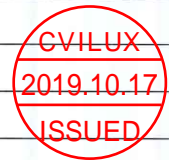
RECOMMENDED P.C.B. LAYOUT
TOLERANCE UNSPECIFIED ±0.05mm

A12	GND	GND	B1
A11	RX2+	TX2+	B2
A10	RX2-	TX2-	B3
A9	Vbus	Vbus	B4
A8	SBU1	Vconn	B5
A7	D-		B6
A6	D+		B7
A5	CC	SBU2	B8
A4	Vbus	Vbus	B9
A3	TX1-	RX1-	B10
A2	TX1+	RX1+	B11
A1	GND	GND	B12



Lead Free Process Halogen-Free

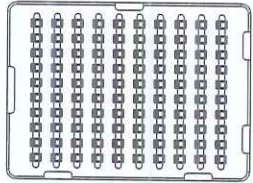
4				DATE	UNIT: mm / inch	TITLE:
3				DATE	UNIT: mm / inch	CU31 Type C/F 24 PIN PCB Clip type
2				DATE	UNIT: mm / inch	MATERIAL:
1				DATE	UNIT: mm / inch	FINISH:
SYM	NAME	DATE	REVISIONS	APPROVED BY:	TOLERANCE UNLESS OTHERWISE SPECIFIED	
					.X ± 0.25/.010 .X' ± 4'	
					.XX ± 0.20/.008 .X' ± 2'	
					.XXX ± 0.10/.004 .XX' ±	



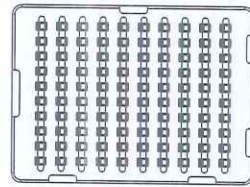
瀚荃股份有限公司
CviLux Corporation

DRAWING NO.	CU31P02SA	PART NO.	CU3124PAAHLA00*-NH
SCALE	4 / 1	SHEET	2 OF 3

10*10=100PCS/TRAY

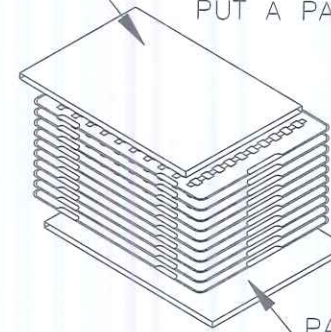


THE SECOND LAYER IS PLACED ON THE BASIS OF THE FIRST LAYER STACK, THE THIRD, FOUR LAYERS.....AND SO ON

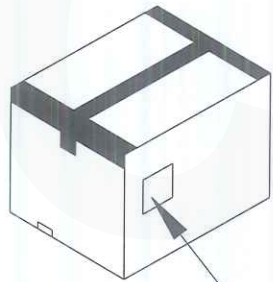


PAPER PARTITION

20 TRAY/SHEAF, EACH SHEAF PACKING PRODUCTS 2000 PCS, PACKED PRODUCTS, THE PRODUCT OF AN EMPTY TRAY ON THE TOP COVER, EACH SHEAF BOTTOM AND TOP PUT A PAPER PLATE

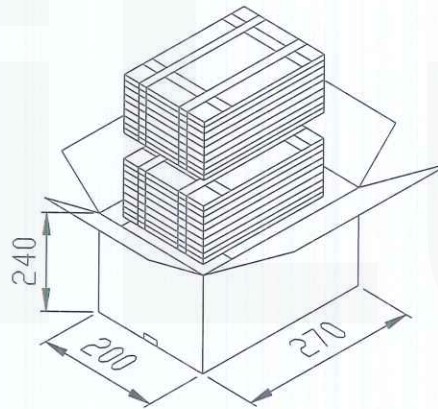


PAPER PARTITION

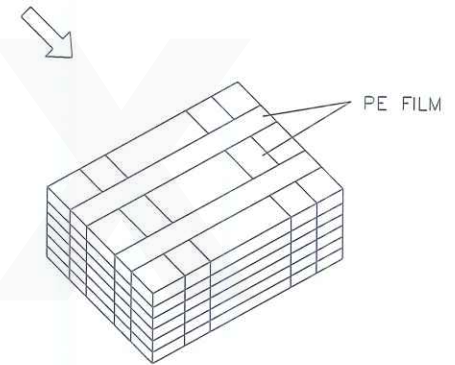


LABEL

USE SEALING TAPE WILL TAKE PLACE OUTSIDE THE CARTON SEALING, THE LABELS PASTE ON THE OUTSIDE OF THE CARTON



WILL BE PACKAGED PRODUCTS IN 270*200*240mm INSIDE THE CARTONS, EACH CARTONS PACKED TWO SHEAF, A TOTAL OF PRODUCTS 4000PCS.



PE FILM

AFTER THE TRAY WAS FOLDED WITH PE FILM ON THE TWISTS

Lead Free Process Halogen-Free

4				DATE	UNIT: mm / inch	TITLE: CU31 Type C/F 24 PIN PCB Clip type
3	CVILUX				TOLERANCE UNLESS OTHERWISE SPECIFIED	MATERIAL:
2	2019.10.17				.X ± 0.25/.010 .X' ± 4'	FINISH:
1	ISSUED				.XX ± 0.20/.008 .X' ± 2'	
SYM	NAME	DATE	REVISIONS	APPROVED BY:	.XXX ± 0.10/.004 .XX' ±	



DRAWN BY: mark 2019/9/29
ENGINEER:
CHECKED BY: KENZY 2019.9.29
APPROVED BY:



DRAWING NO.	CU31P02SA	PART NO.	CU3124PAAHLA00*-NH
SCALE	4 / 1	SHEET	3 OF 3