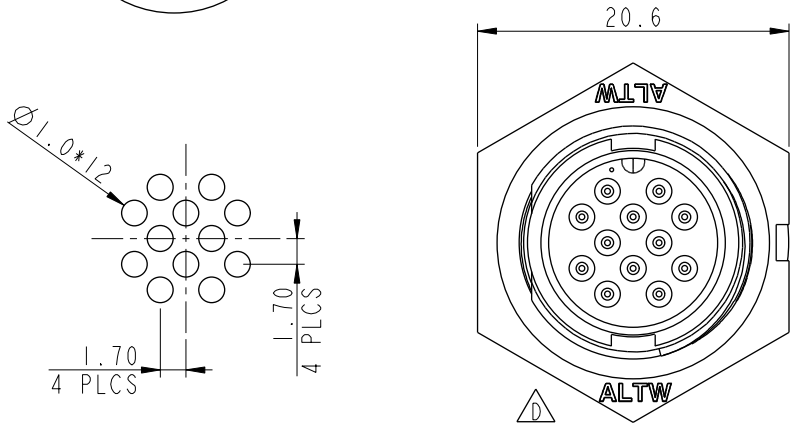
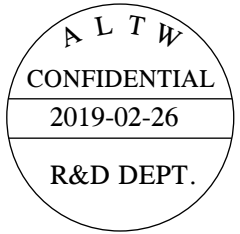
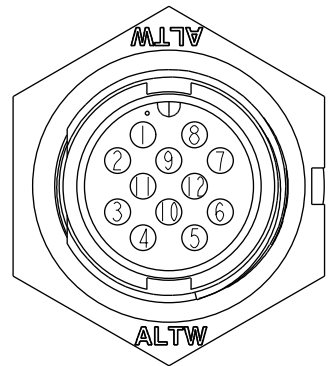
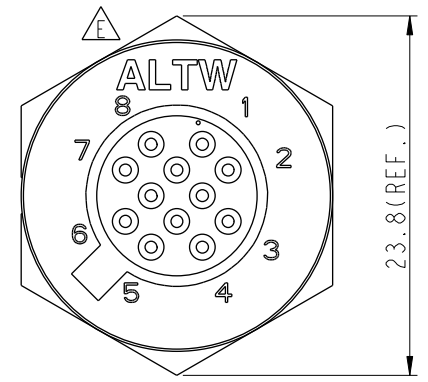
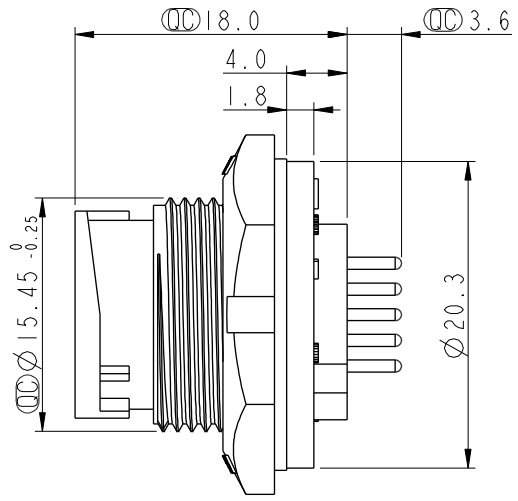


THIS DOCUMENT IS SUBJECT TO CHANGE WITHOUT NOTICE. IT IS CONFIDENTIAL AND A PROPERTY OF Amphenol LTW. DISCLOSURE TO THIRD PARTY HAS TO BE AUTHORIZED BY Amphenol LTW.

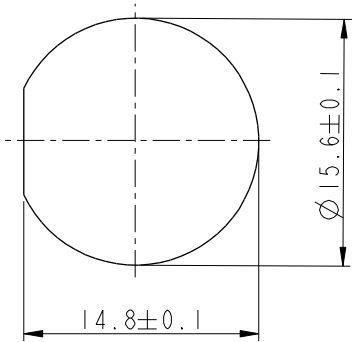
REV.	ECN NO.	DATE	SIGN	DESCRIPTION
D	LEN1470084	2014/07/03	Jason.Yu	Change Nut Logo
E	LEN1590304	2015/09/02	Vicky	Update Logo
F	CI90269	2019/02/26	Ruru	Modify Note



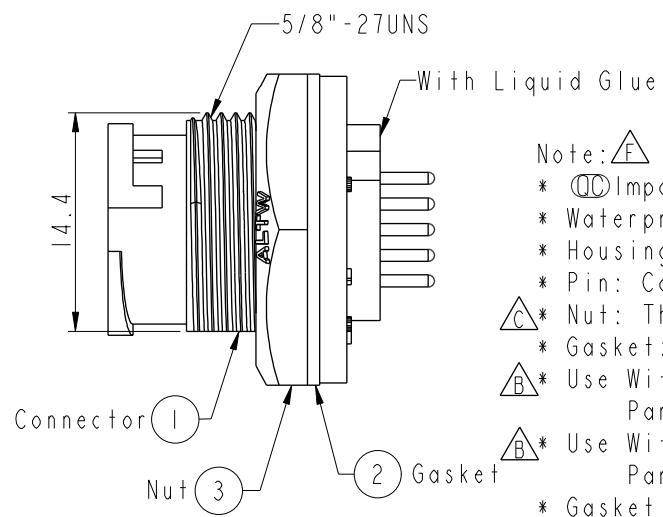
PCB Lay-out



Pin Assignments Front View



Recommended Panel Cut-out



- Note: \triangle
- * CC Important Dimension To Check
 - * Waterproof Rate: IP67, Unmated
 - * Housing: Thermoplastic, Black
 - * Pin: Copper Alloy, Gold Plated
 - * Nut: Thermoplastic, Black
 - * Gasket: Rubber, Black
 - * $\triangle A$ Use With Waterproof Cap Or Dust Cap
Panel Thickness Max: 3.0mm
 - * $\triangle B$ Use Without Waterproof Cap Or Dust Cap
Panel Thickness Max: 4.5mm
 - * Gasket and Nut are packed separately in PE bags.

UNIT:mm	
TOLERANCE	
.X	±0.25
.XX	±0.1
.XXX	±0.05
ANGLES	±1°

TITLE Standard Panel Lock 12Pin M Conn. M Pin			
SCALE 2:1	SIZE A4	SHEET 1 OF 1	
REV. F	WC-REV. A.4	CC : Inspection item	

Amphenol LTW
安費諾亮泰企業股份有限公司

ITEM NO BU-12PMMP-LC7001	DRAWN BY Ruru	DATE 2019-02-26
DWG NO BU-12PMMP-LC7001	CHECKED BY Rita	DATE 2019-02-26
CUSTOMER ALTW	APPROVED BY Max	DATE 2019-02-26