

NO.	Name	Material	Finish	Q'TY
③ 1	Housing	PBT UL 94V-0	Black	1
2	Pin Terminal	Brass t=0.25	Gold:30u" Ni:80~120u" Sn:120~200u"	6
3	Shell	Brass t=0.4	Ni 80~120u"	1

④ Notes:

Electrical:

● Current rating: 1.5A max.

● Voltage rating: 40V max.

● Withstanding Voltage: 500V/1minute

● Contact Resistance: 30m ohms max.

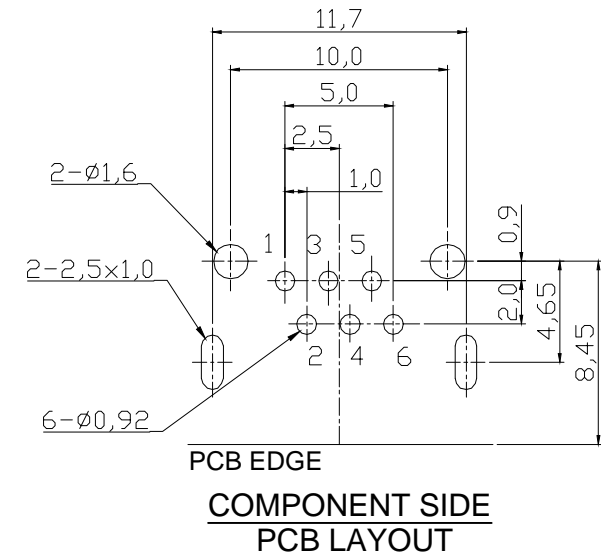
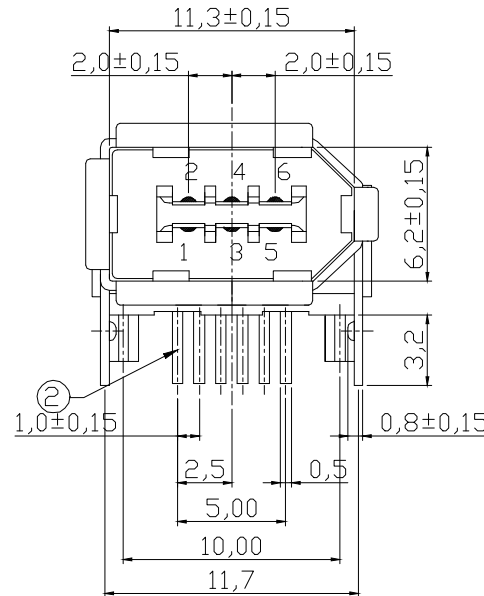
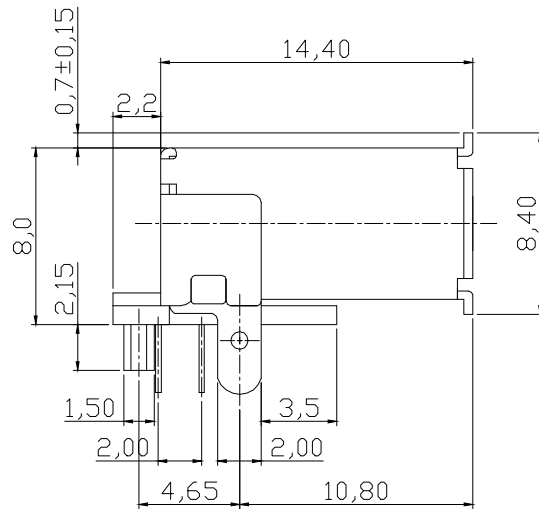
● Insulation Resistance: 1000M ohms min. at DC 500V

Mechanical:

● Durability: 1500 Cycles

● Unmating Force: 9.8 Newton To 39.2 Newton Maximum.

Operating temperature : -55°C ~ +85°C



RoHS compliant
Unit: mm

Scale	Free				Date	Name	Customer-No.
TOLERANCE					Drawn	07.07.2009	Dean
X.	±0.38				Approved	29.03.2019	Winnie
.X	±0.25	④	Update the Notes	29.03.2019	Winnie	Approved	29.03.2019
.XX	±0.13	③	Add UL 94V-0	26.04.2018	Winnie		
DIM	TOL	②	Update the new drawing	29.07.2013	Amy		
X.°	±3°	①	Drawn	07.07.2009	Dean		
Angle	TOL	Id.	Modification	Date	Name	Replace	SHEET

Customer-No.		ASSMANN WSW-No. A-IES-DIP-C	
Drawing-No.			
ASS 3560 CO		rev04	
Replace		SHEET	

1

2

3

4

5

6

7