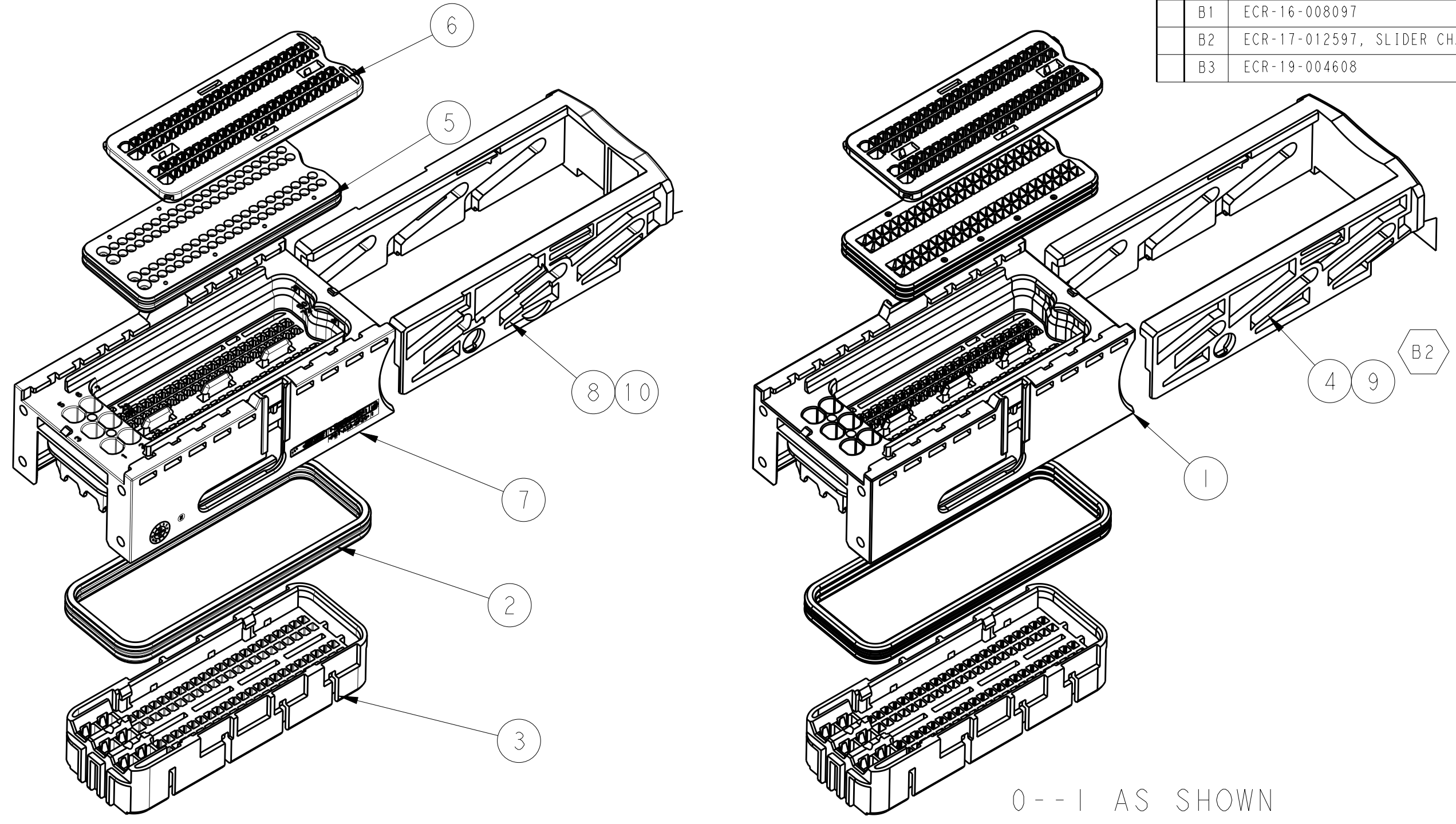
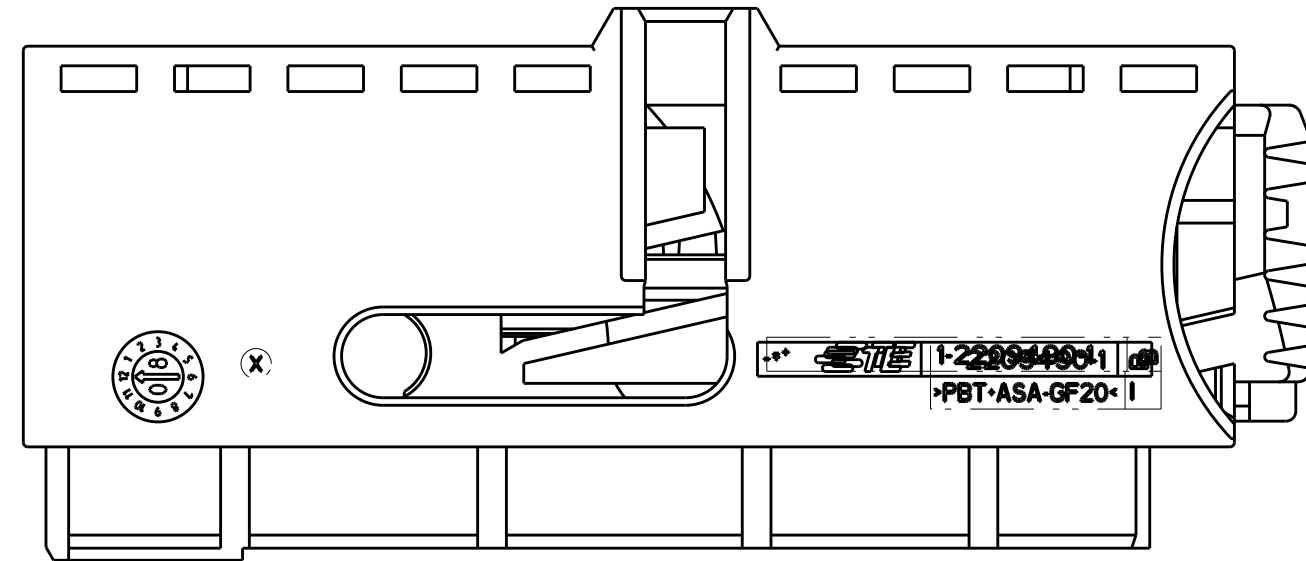
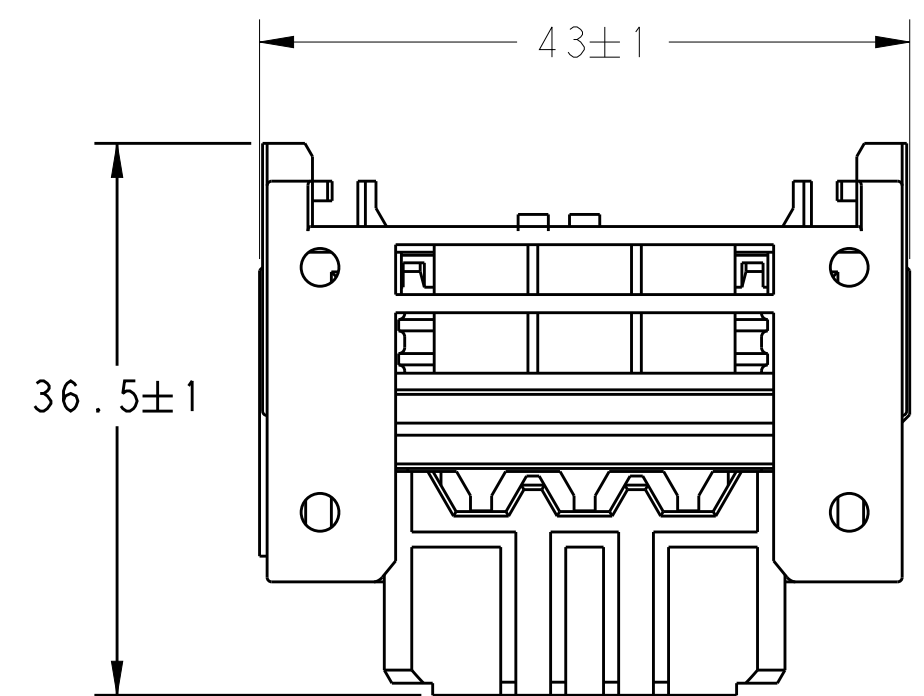


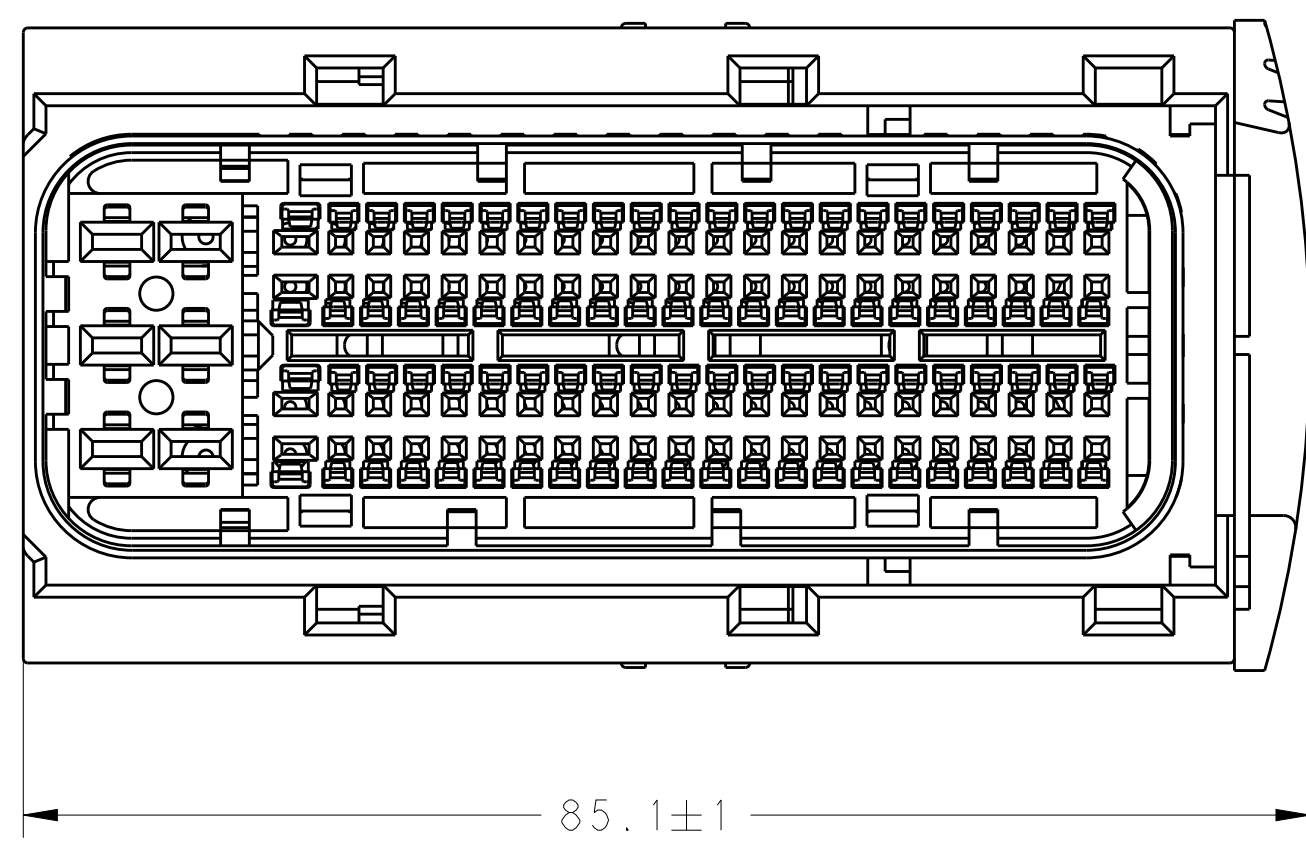
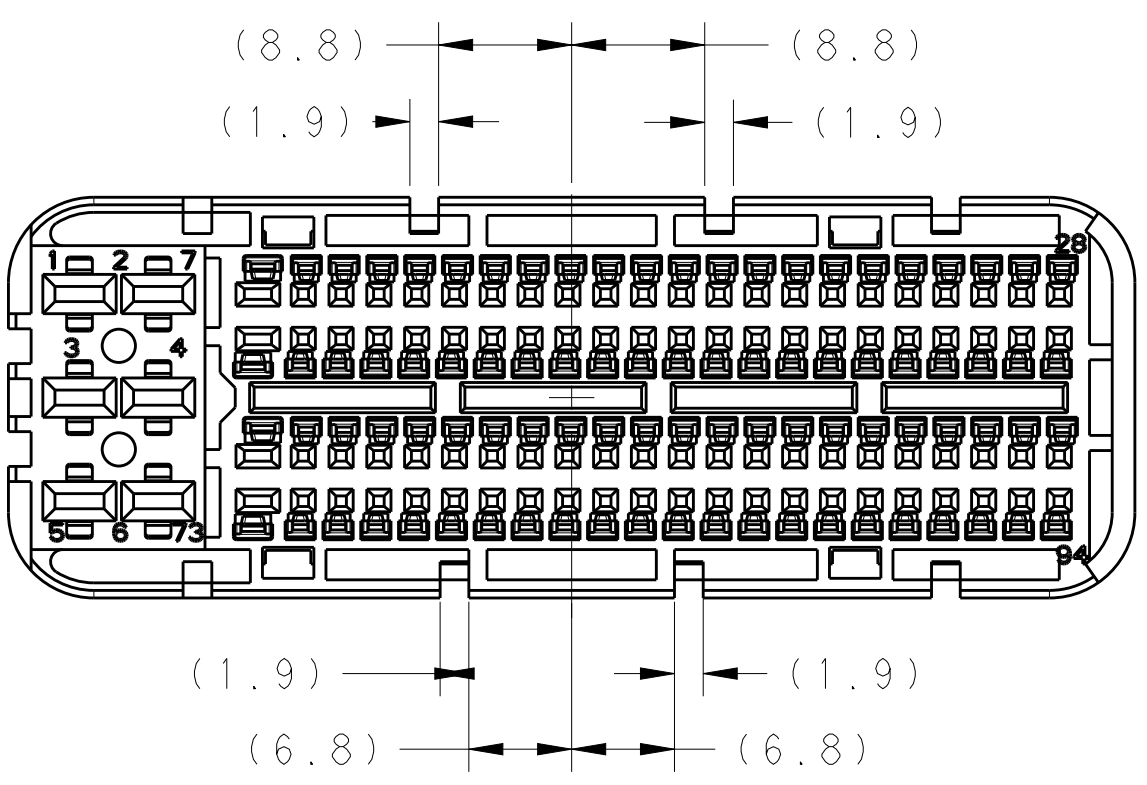
REVISIONS				
P.	LTN	DESCRIPTION	DATE	OWN APVD
B		SLIDER CHANGE	03MAY16	J.Z S.W
B1	ECR-16-008097		06JUL16	J.Z S.W
B2	ECR-17-012597, SLIDER CHANGE		05SEP17	C.N I.Y
B3	ECR-19-004608		26MAR19	S.C I.Y



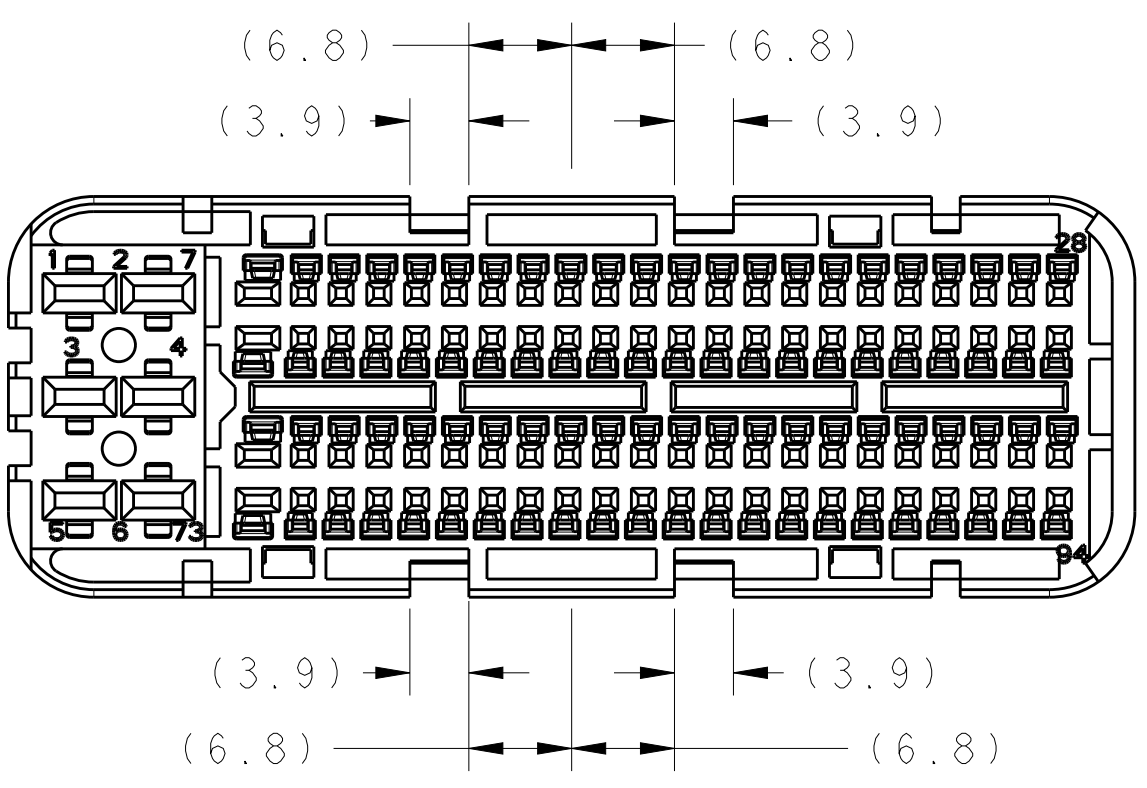
0--1 AS SHOWN

1--1 AS SHOWN

CODINGS FOR B3
0/1-2209545-1
2/3-2209545-1



CODINGS FOR B3
0/1-2209545-9
2/3-2209545-9



NOTES:

- SUITABLE CONTACTS SEE BELOW DRAWINGS:
 MQS 0.63mm(CLEAN BODY): 968220, 968221, 1534116, 1703282.
 SUITABLE WIRE SIZE FROM 0.35mm² TO 0.75mm²,
 INSULATION OUTER DIAMETER RANGE FROM 1.2 TO 1.9mm.
 MQS 1.5mm(CLEAN BODY): 1241608
 SUITABLE WIRE SIZE FROM 0.75mm² TO 1.5mm²,
 SUITABLE WIRE INSULATION OUTER DIAMETER RANGE FROM 1.4 TO 2.4mm.
 MCP 2.8K: 1241392, 1241394, 1241396.
 SUITABLE WIRE SIZE FROM 0.5mm² TO 2.5mm²,
 INSULATION OUTER DIAMETER RANGE FROM 1.4 TO 3.0mm.
- SEALING PLUG P/N: 1394871-1(MQS 0.63mm), 1394872-1(MQS 1.5mm),
828922-1(MCP 2.8K), 828922-2(MCP 2.8K)
- SINGLE WIRE SEAL FOR MCP 2.8K CONTACT: 963294-1, 963293-1,
963292-1.
- SUITABLE RETAINER P/N: 6-1355134-1, 6-1355135-1.
- SUITABLE COVER P/N: 2137754-1, 2137755-1, 6-1418652-1,
6-2141282-1, 2300724-1

B3 6. 0/2-2209545-1/9 CAN MATING WITH LEVER 2137752-1/6;
1/3-2209545-1/9 CAN MATING WITH LEVER 2305001-1/6;

QTY	QTY	QTY	QTY	MATERIAL	COLOUR	DESCRIPTION	ITEM
1	1	1	1	PBT GF	BLACK	SEALING HOLDER	6
1	1	1	1	SILICONE	LIGHT BLUE	FAMILY SEAL	5
B3	1	1	1	PA6 GF	BLACK	SLIDE(CUT)	10
B3		1	1	PA6 GF	BLACK	SLIDE(CUT)	9
1		1	1	PBT GF	WATER BLUE	CAVITY BLOCK (GENERAL CODING)	3
	1		1	PBT GF	BLUE	CAVITY BLOCK (CODING G)	3
1		1	1	SILICONE	ORANGE	SEALING	2
1	1			PBT/ASA GF	BLACK	CARRIER HOUSING (ENHANCED)	7
		1	1	PBT/ASA GF	BLACK	CARRIER HOUSING (ICT)	1
B3	B	B	B	P/N			
				REV.			
				LEVER ENHANCED VERSION		ICT VERSION	

QTY	QTY	QTY	QTY	MATERIAL	COLOUR	DESCRIPTION	ITEM
1	1	1	1	PBT GF	BLACK	SEALING HOLDER	6
1	1	1	1	SILICONE	LIGHT BLUE	FAMILY SEAL	5
1	1			PA66 GF	BLACK	SLIDE(CUT)	8
		1	1	PA66 GF	BLACK	SLIDE(CUT)	4
1		1	1	PBT GF	WATER BLUE	CAVITY BLOCK (GENERAL CODING)	3
	1		1	PBT GF	BLUE	CAVITY BLOCK (CODING G)	3
1		1	1	SILICONE	ORANGE	SEALING	2
1	1			PBT/ASA GF	BLACK	CARRIER HOUSING (ENHANCED)	7
		1	1	PBT/ASA GF	BLACK	CARRIER HOUSING (ICT)	1
B1	B	B	B	P/N			
				REV.			
				LEVER ENHANCED VERSION		ICT VERSION	

THIS DRAWING IS A CONTROLLED DOCUMENT. DWG: J.LI 26MAY14, CHK: Z.ZHOU 27MAY14, APVD: Y.YIN 5JUN14

STE TE Connectivity

NAME: CONNECTOR HOUSING, 94P
MQS CB+ MCP2.8K

SIZE: A1, CAGE CODE: 2209545, DRAWING NO: 2209545, SHEET 1 OF 1, REV: B3

SCALE: 1:1