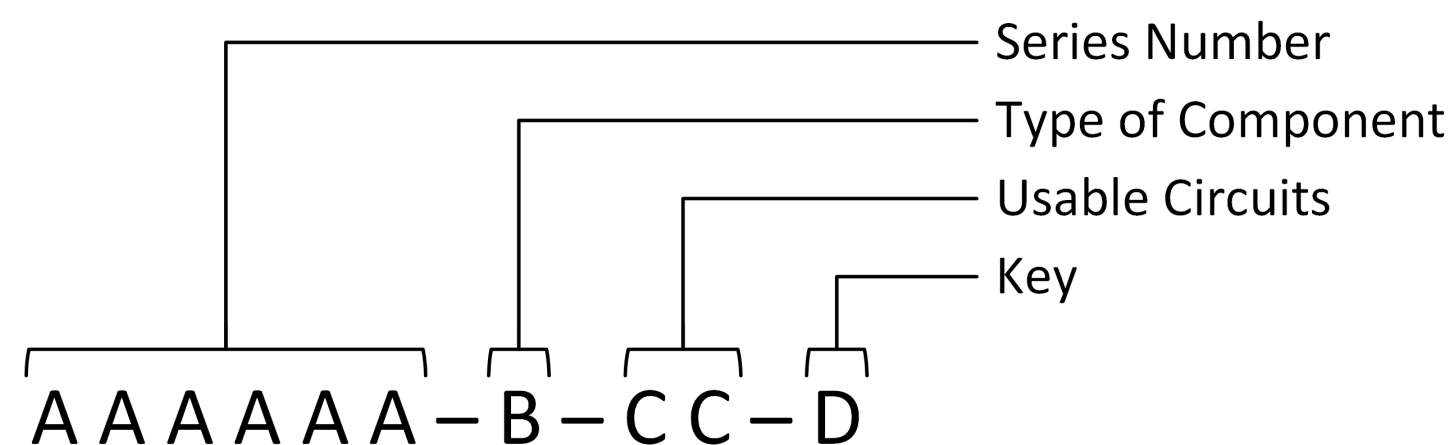


CONNTAK50 DUAL ROW VERTICAL SMT HEADERS

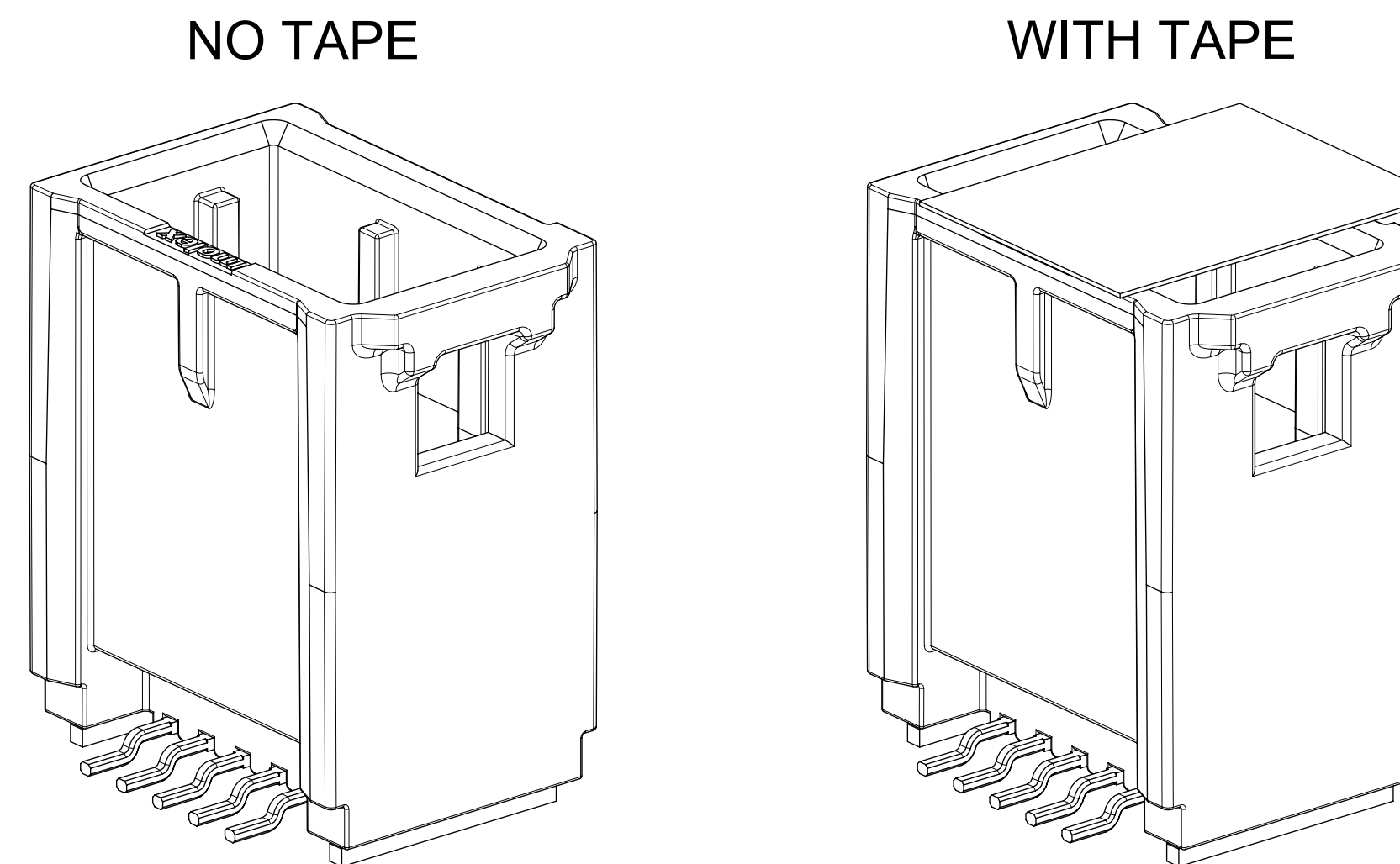
10CKT HEADER:

PART NUMBER EXAMPLE:



PN 2069573101
206957 - SERIES NUMBER: DUAL ROW VERTICAL SMT HEADER - STANDARD PERFORMANCE
3 - TYPE OF COMPONENT: STANDARD MATERIAL; FULLY POPULATED, WITH TAPE
10 - 10 USABLE CIRCUITS
1 - KEY A

FINAL PART: 10CKT DUAL ROW VERTICAL STANDARD PERFORMANCE SMT HEADER - KEY A



	SERIES NUMBERS (AAAAAA)	TYPE OF COMPONENT (B)	USABLE CIRCUITS (CC)	KEY (D)
MATING COMPONENT	205825 - RECEPTACLE	2 - STD MATL; FULLY POPULATED; NO TAPE 3 - STD MATL; FULLY POPULATED; WITH TAPE 4 - STD MATL; LAST 2 CKTS UNPOPULATED; NO TAPE 5 - STD MATL; LAST 2 CKTS UNPOPULATED; WITH TAPE	02 - 2 Circuits ... 22 - 22 Circuits	1 - KEY A 2 - KEY B 3 - KEY C 4 - KEY D
ON DRAWING	206957 - DR HB VERTICAL STANDARD PERFORMANCE SMT HEADER 208036 - DR V0 VERTICAL STANDARD PERFORMANCE SMT HEADER			
OTHER	206958 - DR RIGHT ANGLE SMT HEADER - STANDARD PERF.			

INTERFACE	INTERFACE CKT SIZE	STANDARD HB MATERIAL SMT HEADER										TOOLING STATUS
		FULLY POPULATED					2 CKTS UNPOPULATED					
		NO TAPE		WITH TAPE			NO TAPE		WITH TAPE			
		PART NUMBER	USABLE CKTS	PART NUMBER	USABLE CKTS	PART NUMBER	USABLE CKTS	PART NUMBER	USABLE CKTS	PART NUMBER	USABLE CKTS	AVAILABLE
	10	2069572101	10	2069573101	10	2069574081	8	2069575081	8	2069575081	8	
		2069572102	10	2069573102	10	2069574082	8	2069575082	8	2069575082	8	
		2069572103	10	2069573103	10	2069574083	8	2069575083	8	2069575083	8	
		2069572104	10	2069573104	10	2069574084	8	2069575084	8	2069575084	8	

INTERFACE	INTERFACE CKT SIZE	V0 MATERIAL SMT HEADER										TOOLING STATUS
		FULLY POPULATED					2 CKTS UNPOPULATED					
		NO TAPE		WITH TAPE			NO TAPE		WITH TAPE			
		PART NUMBER	USABLE CKTS	PART NUMBER	USABLE CKTS	PART NUMBER	USABLE CKTS	PART NUMBER	USABLE CKTS	PART NUMBER	USABLE CKTS	INQUIRE FOR AVAILABILITY
	4	2080362041	4	2080363041	4	2080364021	2	2080365021	2	2080365021	2	
		2080362042	4	2080363042	4	2080364022	2	2080365022	2	2080365022	2	
		2080362043	4	2080363043	4	2080364023	2	2080365023	2	2080365023	2	
		2080362044	4	2080363044	4	2080364024	2	2080365024	2	2080365024	2	

NOTES:

VALID UNLESS OTHERWISE SPECIFIED

1. GENERAL:

- 1.1 APPLICATION SPECIFICATION SEE: 2046310000-AS
- 1.2 PRODUCT SPECIFICATION SEE: 2046310000-PS
- 1.3 PACKAGING SPECIFICATION PER MOLEX DRAWING: 2069579000
 - 1.3.1 PACKAGING IS TAPE & REEL
- 1.4 COMPATIBLE WITH STANDARD AK INTERFACE C-114-94000-20 REV A1
- 1.5 CONFORMS TO MOLEX AK INTERFACE 2046310001 REV A
 - 1.5.1 MOLEX AK INTERFACE IS PART OF PPAP
- 1.6 CIRCUITS DO NOT CONTAIN PINS IN "2 CKTS UNPOPULATED" HEADER VERSION
- 1.7 TRACEABILITY TO BE MARKED IN AREA SHOWN. MARK IS CODED AS FOLLOWS:
 - ROW 1 ("XXXXXX"):
 - "XXXXXX" IS MOLEX SMT HEADER SERIES NUMBER
 - ROW 2 ("YYYY PZ"):
 - "YYYY" IS PART SUFFIX (LAST 4 DIGITS OF PART NUMBER)
 - "P" IS PERFORMANCE MARK. SEE BOM TABLE FOR MARKING CODE
 - "Z" IS ASSEMBLY LINE NUMBER
 - ROW 3 ("HHDDDDYY"):
 - 1ST & 2ND DIGITS ("HH"): HOUR OF ASSEMBLY (24 HOUR CLOCK)
 - 3RD THRU 5TH DIGITS ("DDD"): JULIAN DATE (EXAMPLE: FEBRUARY 3RD -> "034")
 - 6TH & 7TH DIGITS ("YY"): LAST 2 DIGITS OF CALENDAR YEAR

2. DESIGN - MATERIALS:

- 2.1 SHROUD (PLASTIC HOUSING): SEE BOM
- 2.2 PINS:
 - 2.2.1 STANDARD PERFORMANCE PINS:
 - BASE MATERIAL: C26000 BRASS
 - UNDERPLATING (CONTACT REGION): NICKEL 1.0 - 1.8 µm
 - OVERPLATING (CONTACT REGION): MATTE TIN 1.0 - 3.0 µm

3. DESIGN - GEOMETRY:

- 3.1 GEOMETRIC DIMENSIONS AND TOLERANCES PER ASME Y14.5M-2009

C3	UPDATED: VIEW ON PG 1 FOR PICKUP TAPE; BOM TABLES FOR V0 & HB MATERIAL; NOTE 2.1; POL B COLOR FROM GREY TO NATURAL
C2	UPDATED: DIM 7 TOLERANCE
C1	UPDATED: DIM 10
C	ADDED: DATUM G; DIMENSIONAL INFO FOR ALL CIRCUIT SIZES; TRACEABILITY MARKING INFO; NOTE REFERENCING INTERFACE DRAWING; SOLDER NAIL REFERENCE DIMS; NEW NOTES 1.4, 1.5, 1.6, 1.7; NO CAP PART NUMBERS UPDATED: CHANGED CAP / NO CAP PART NUMBERS; PCB LAYOUT; PAGE 2 LAYOUT; NOTE 2.2 FORMAT; DIMENSION NUMBERS REMOVED: SEVERAL DIMS; DATUM A, B, & C CALLOUTS (SEE INTERFACE DRAWING); DATUM D, E, & F; OLD NOTES 1.4, 1.5, 1.6, 1.7, 3.1, 3.3, 3.4, 3.5, 3.6, 3.7; TUBE PART NUMBERS
B1	ADDED BASE MATERIAL IN SECTION 2.2; ADDED BALLON NUMBERS 1-13; UPDATED VIEW FOR LATCH IMPROVEMENT ON 10CKT; UPDATED NOTES 1.1, 1.2, & 1.3
REV	DESCRIPTION

INSPECTION BALLOON LOG

PER DRAWING REVISION: C3
TOTAL BALLOONS: 11
ADDED BALLOON NUMBERS:
REMOVED BALLOON NUMBERS:

THIS DRAWING CONTAINS INFORMATION THAT IS PROPRIETARY TO MOLEX ELECTRONIC TECHNOLOGIES, LLC AND SHOULD NOT BE USED WITHOUT WRITTEN PERMISSION

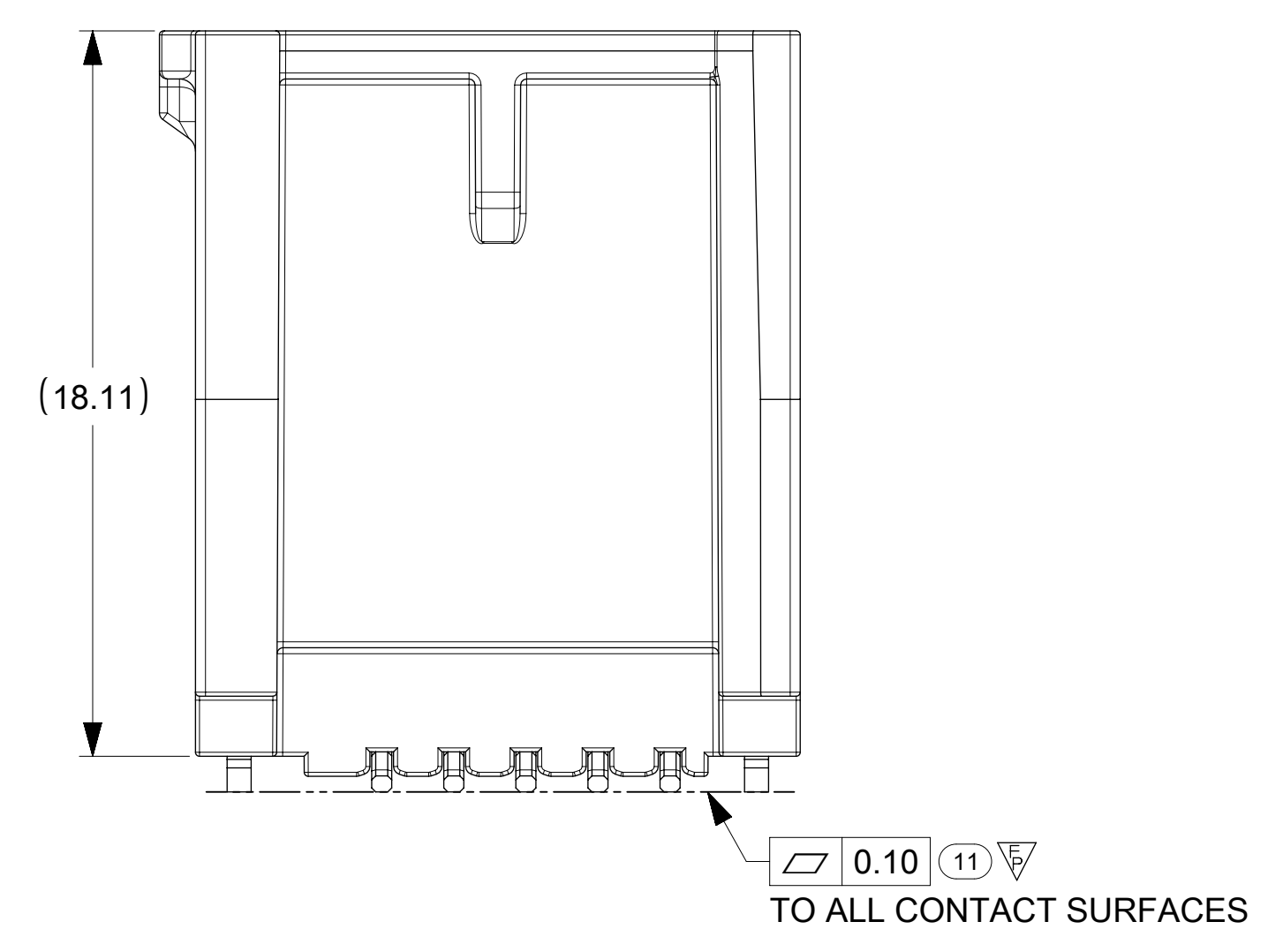
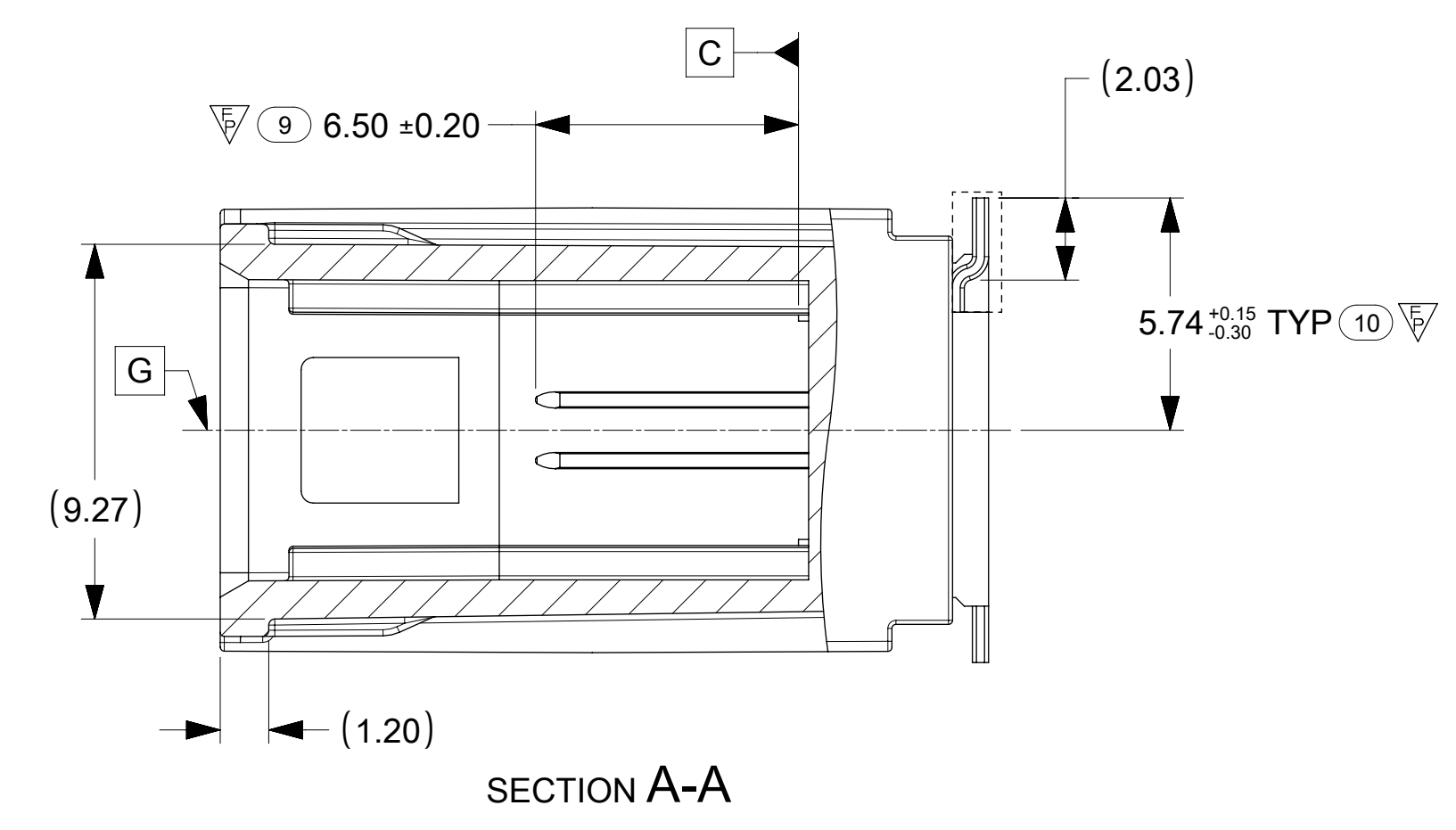
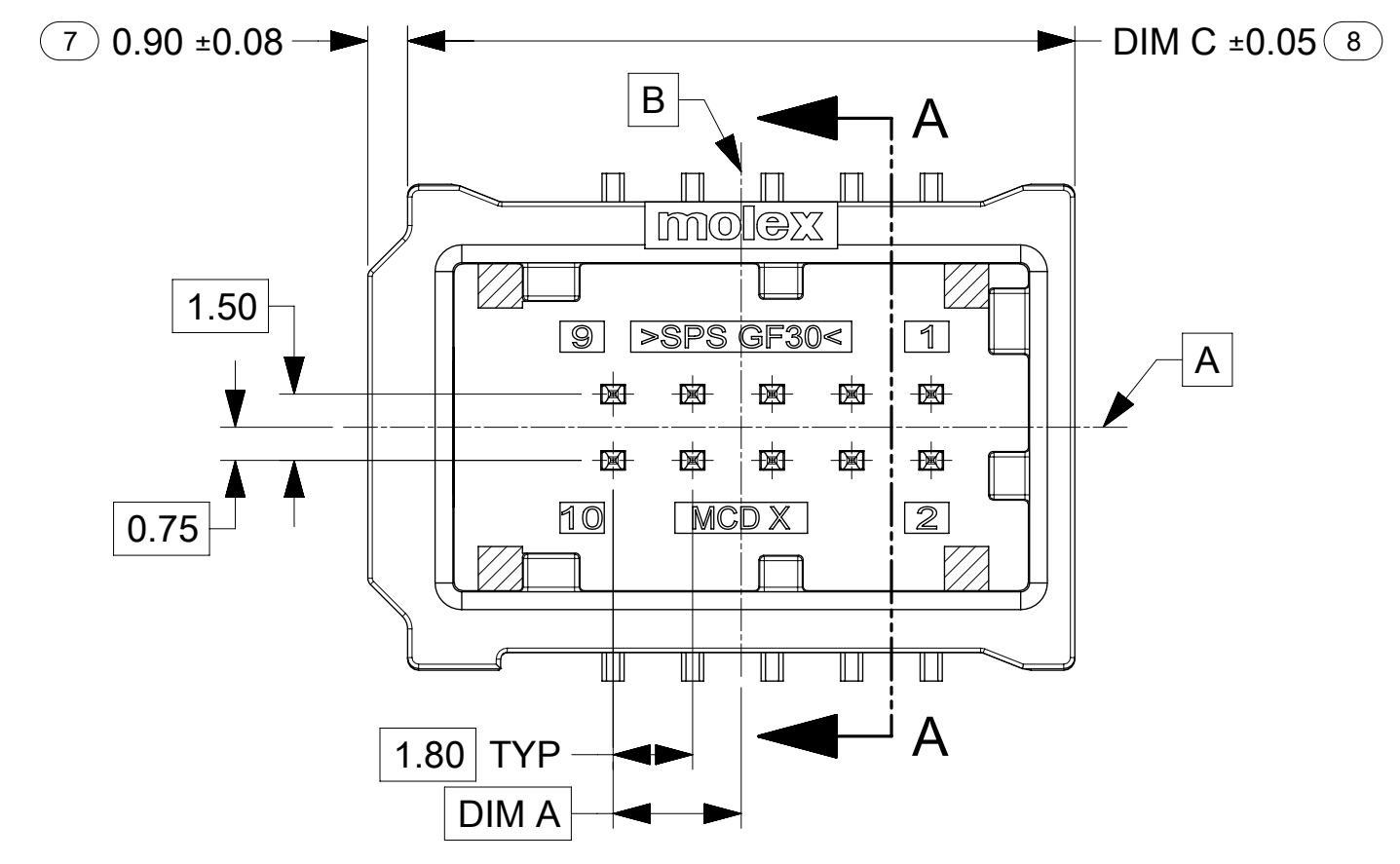
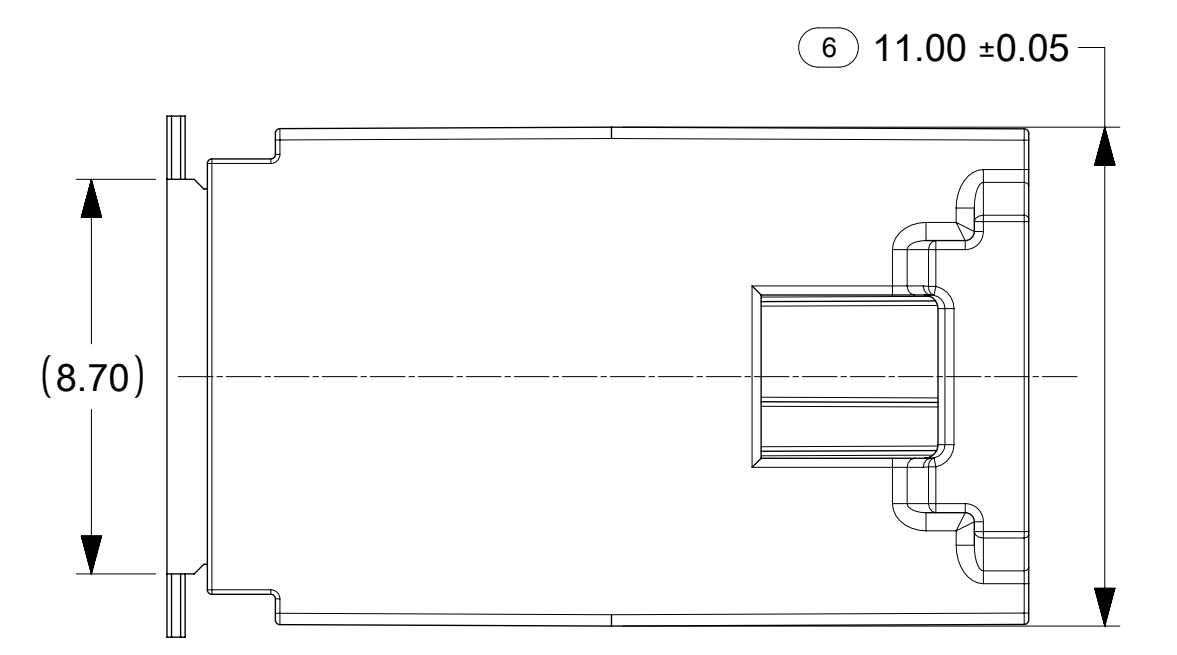
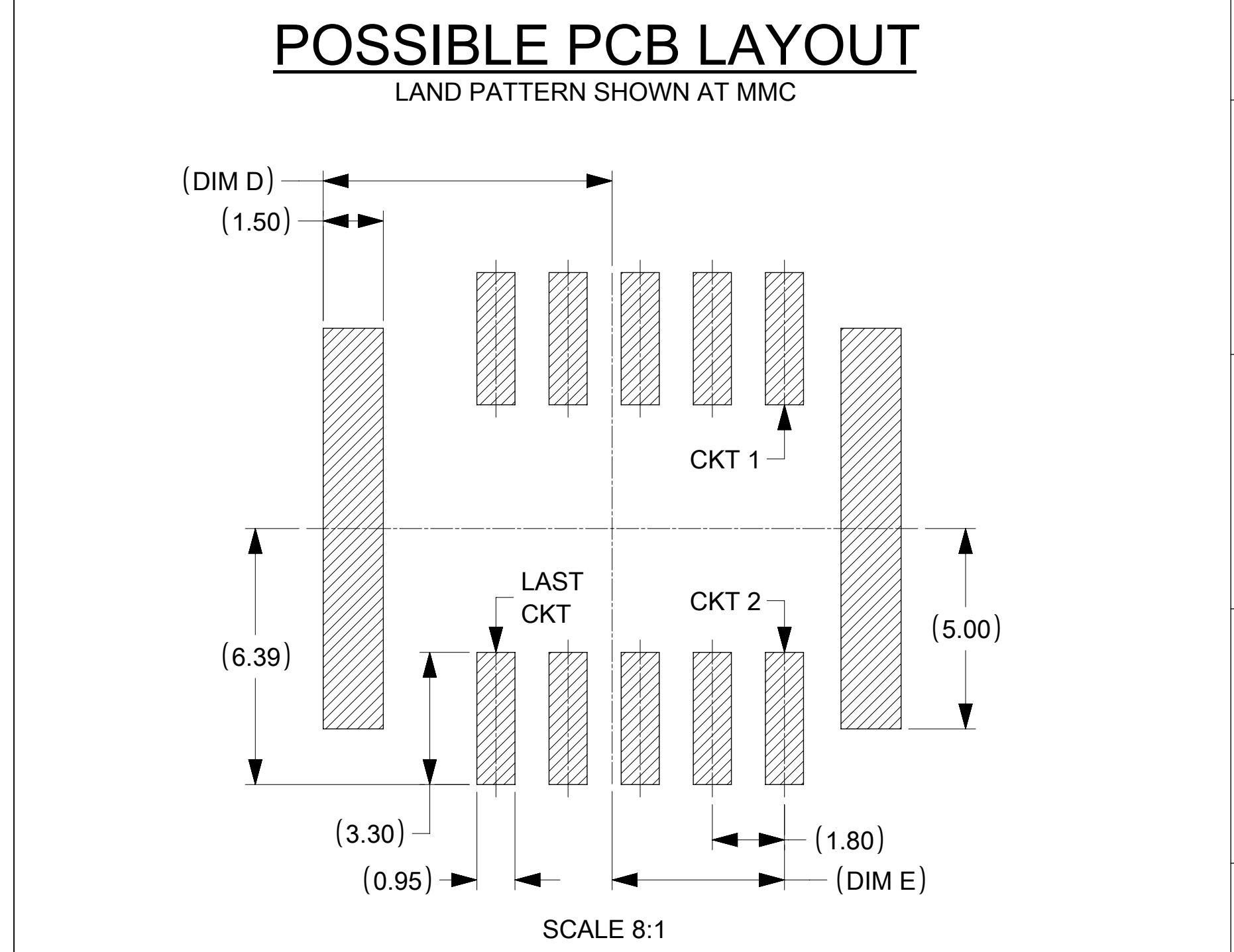
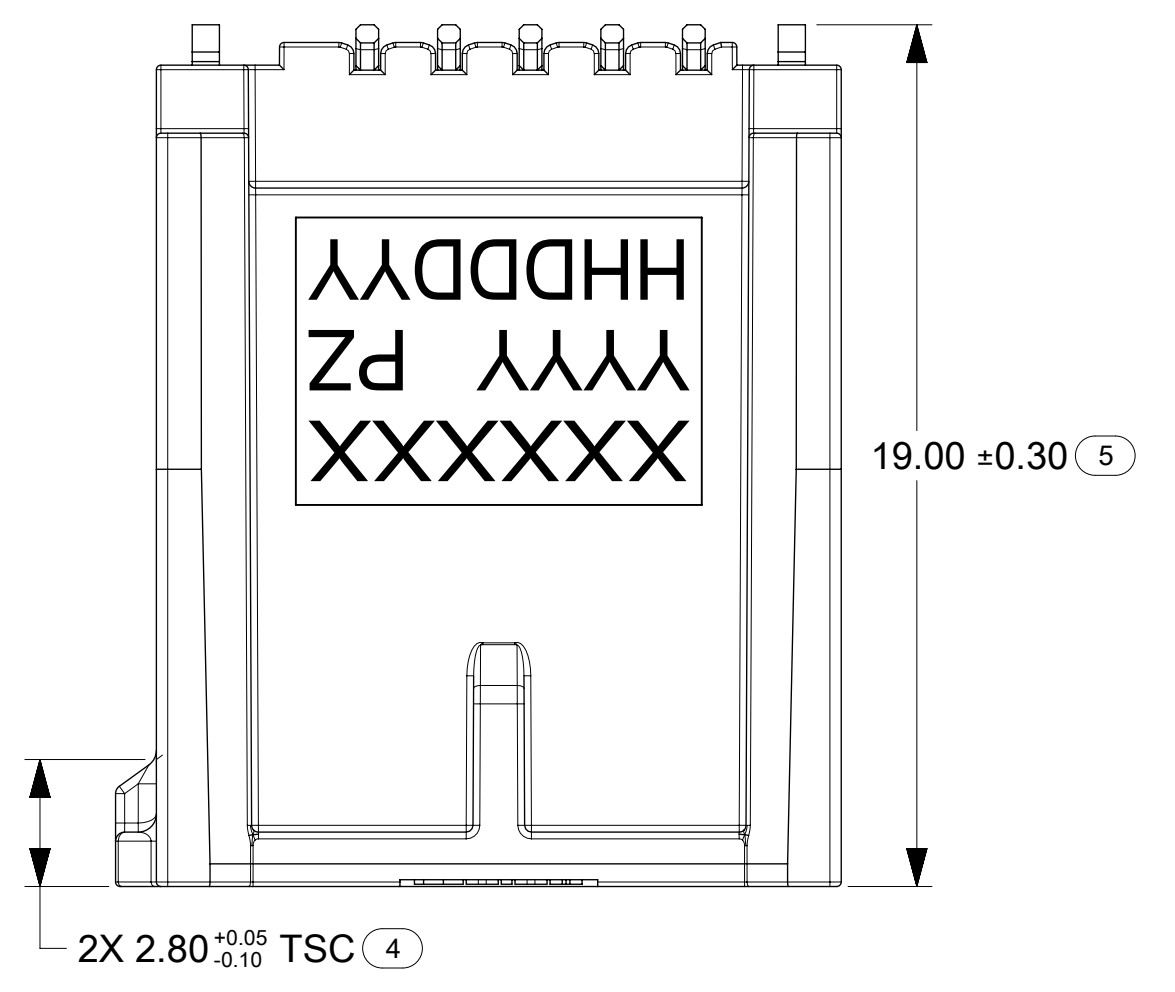
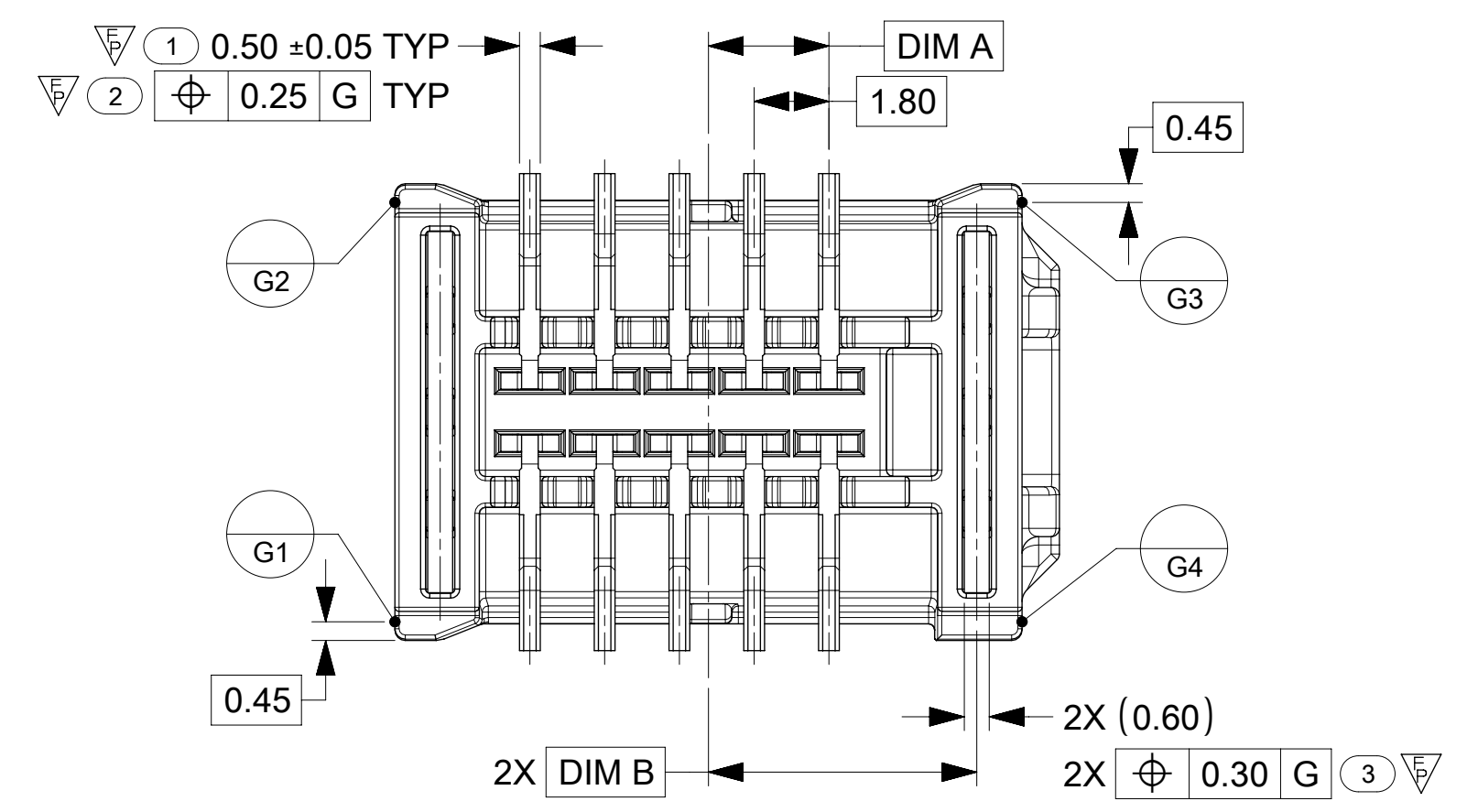
DIMENSION UNITS	SCALE	CURRENT REV DESC:
mm	5:1	
GENERAL TOLERANCES (UNLESS SPECIFIED)		
ANGULAR TOL	± °	
4 PLACES	±	
3 PLACES	±	
2 PLACES	±	
1 PLACE	±	
0 PLACES	±	

EC NO: 672688	2021/05/12
DRWN: KHEWITT	2021/08/09
CHK'D: VBALASUBRAMA	2021/08/09
APPR: JDUNAJ	2021/08/09
INITIAL REVISION:	
DRWN: ECOLARUSSO	2018/02/23
APPR: JDUNAJ	2018/03/14

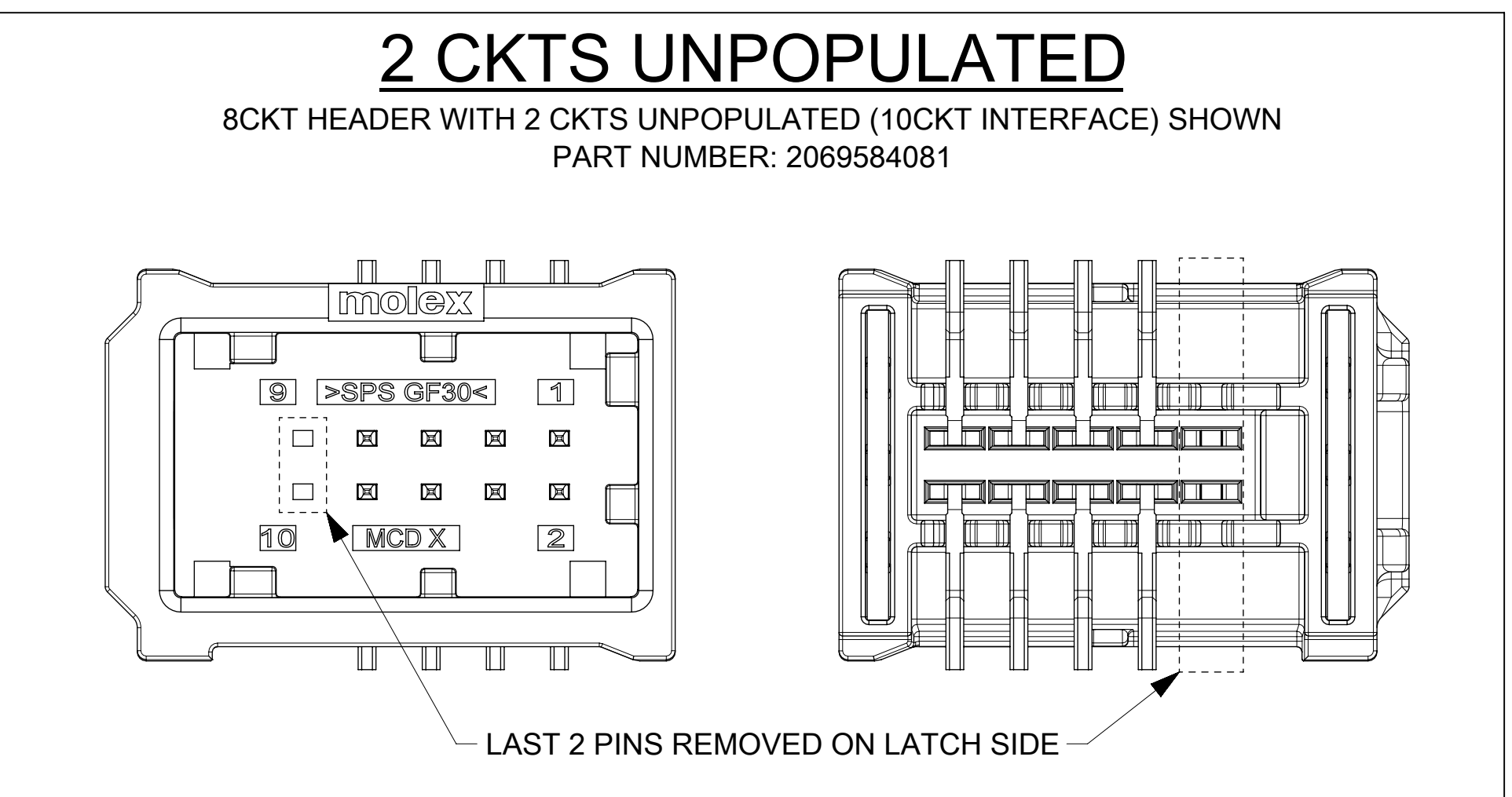
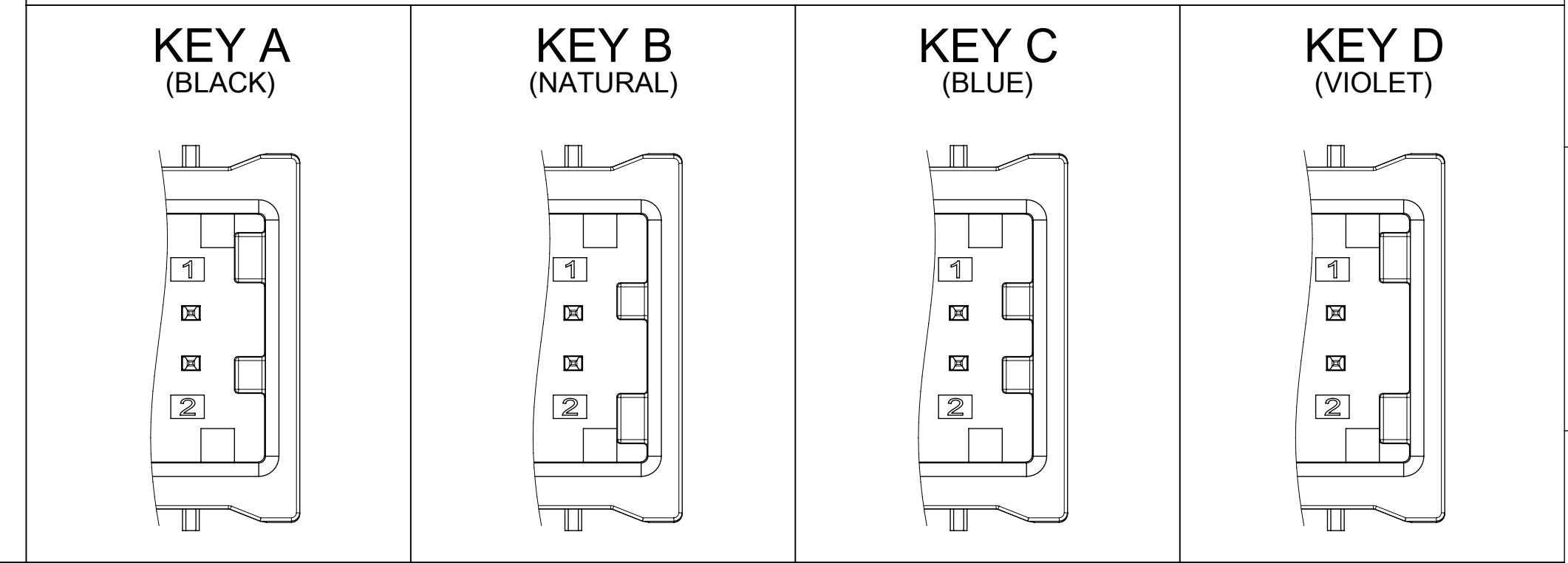
DOCUMENT NUMBER	DOC TYPE	DOC PART	REVISION
2057260003	PSD	000	C3

DRAFT WHERE APPLICABLE MUST REMAIN WITHIN DIMENSIONS	THIRD ANGLE PROJECTION	DRAWING	SERIES	MATERIAL NUMBER	CUSTOMER	SHEET NUMBER
		D-SIZE	205726	SEE TABLE	GENERAL MARKET	1 OF 2

10CKT KEY A (2069572101) SHOWN EXCEPT WHERE NOTED
 REFER TO 2046310002 FOR INTERFACE DIMENSIONS



KEYING OPTIONS



THIS DRAWING CONTAINS INFORMATION THAT IS PROPRIETARY TO MOLEX ELECTRONIC TECHNOLOGIES, LLC AND SHOULD NOT BE USED WITHOUT WRITTEN PERMISSION																																									
DIMENSION UNITS: mm		SCALE: 6:1		CURRENT REV DESC:																																					
GENERAL TOLERANCES (UNLESS SPECIFIED)				EC NO: 672688 DRWN: KHEWITT 2021/05/12 CHK'D: VBALASUBRAMA 2021/08/09 APPR: JDUNAJ 2021/08/09 INITIAL REVISION: DRWN: ECOLARUSSO 2018/02/23 APPR: JDUNAJ 2018/03/14																																					
ANGULAR TOL ± °				<table border="1"> <tr> <td colspan="3">DOCUMENT NUMBER</td> <td>DOC TYPE</td> <td>DOC PART</td> <td>REVISION</td> </tr> <tr> <td colspan="3">2057260003</td> <td>PSD</td> <td>000</td> <td>C3</td> </tr> <tr> <td colspan="2">DRAFT WHERE APPLICABLE MUST REMAIN WITHIN DIMENSIONS</td> <td>THIRD ANGLE PROJECTION</td> <td>DRAWING</td> <td>SERIES</td> <td>MATERIAL NUMBER</td> <td>CUSTOMER</td> <td colspan="2">SHEET NUMBER</td> </tr> <tr> <td colspan="2"></td> <td></td> <td>D-SIZE</td> <td>205726</td> <td>SEE TABLE</td> <td>GENERAL MARKET</td> <td colspan="2">2 OF 2</td> </tr> </table>								DOCUMENT NUMBER			DOC TYPE	DOC PART	REVISION	2057260003			PSD	000	C3	DRAFT WHERE APPLICABLE MUST REMAIN WITHIN DIMENSIONS		THIRD ANGLE PROJECTION	DRAWING	SERIES	MATERIAL NUMBER	CUSTOMER	SHEET NUMBER					D-SIZE	205726	SEE TABLE	GENERAL MARKET	2 OF 2	
DOCUMENT NUMBER			DOC TYPE									DOC PART	REVISION																												
2057260003			PSD									000	C3																												
DRAFT WHERE APPLICABLE MUST REMAIN WITHIN DIMENSIONS		THIRD ANGLE PROJECTION	DRAWING									SERIES	MATERIAL NUMBER	CUSTOMER	SHEET NUMBER																										
			D-SIZE									205726	SEE TABLE	GENERAL MARKET	2 OF 2																										
4 PLACES ±																																									
3 PLACES ±																																									
2 PLACES ±																																									
1 PLACE ±																																									
0 PLACES ±																																									