

4

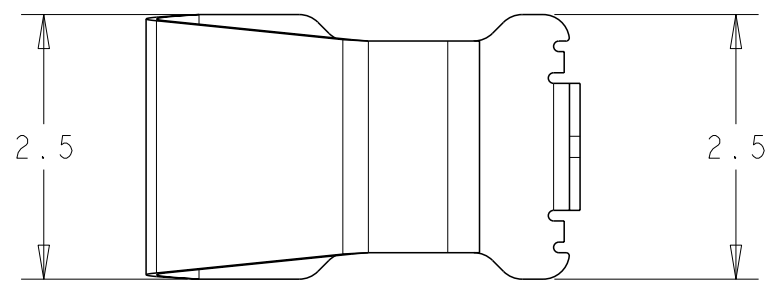
3

2

1

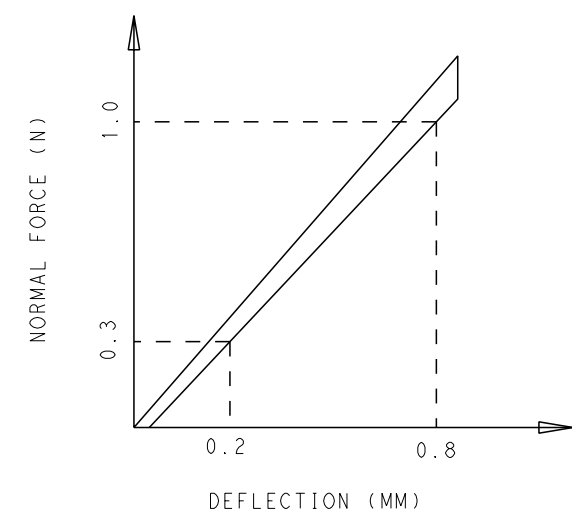
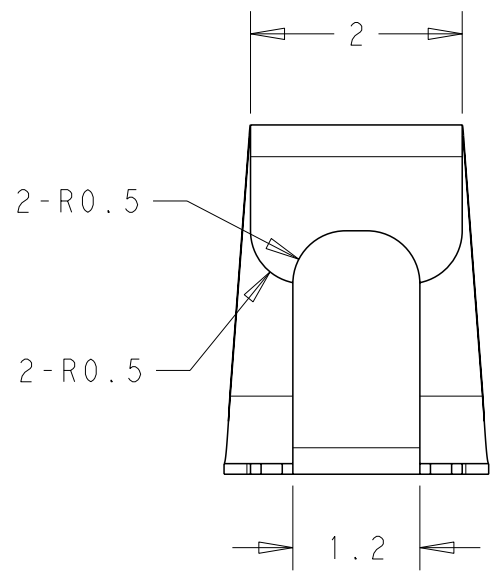
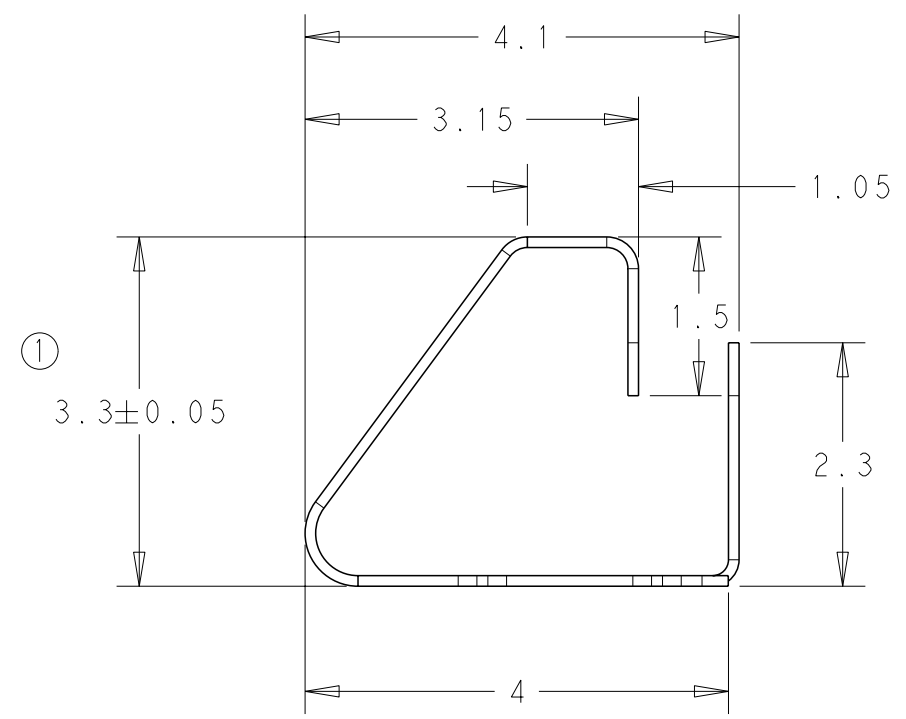
THIS DRAWING IS UNPUBLISHED. RELEASED FOR PUBLICATION 20
© COPYRIGHT 20 BY - ALL RIGHTS RESERVED.

REVISIONS					
P	LTR	DESCRIPTION	DATE	DWN	APVD
	5	combine *-1 in this drawing	04MAY2015	I.T	W.H
	6	ECR-18-015944	08JAN2018	E.Z	W.H

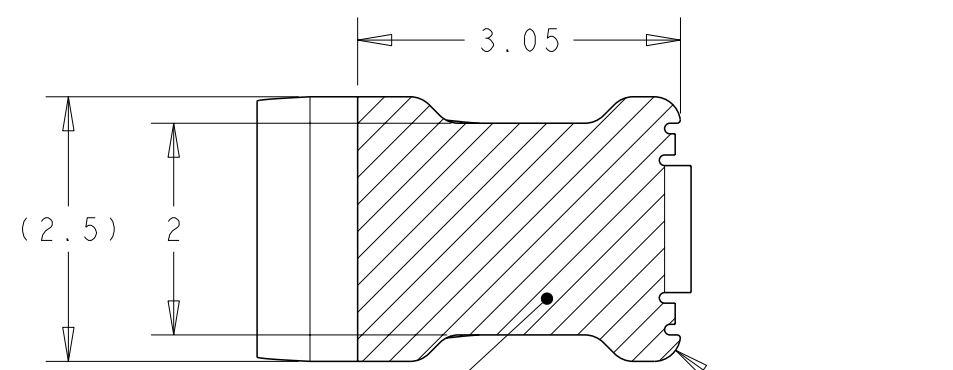


1734303-2 AS SHOWING

- NOTE:
- MATERIAL: PH/BR, T=0.1±0.01MM
 - FINISH
GOLD FLASH PLATING ON SOLDER AREA AND CONTACT AREA
40U'' Min NICKEL UNDER PLATING OVERALL
 - NORMAL FORCE 0.6N MINIMUM AT 2.8MM WORKING HEIGHT,
(COMPRESS 0.5MM WHEN MEASURE NORMAL FORCE)
 - INSPECTION ITEMS MARKED WITH INSPECTION BUBBLE.



NORMAL FORCE CURVE

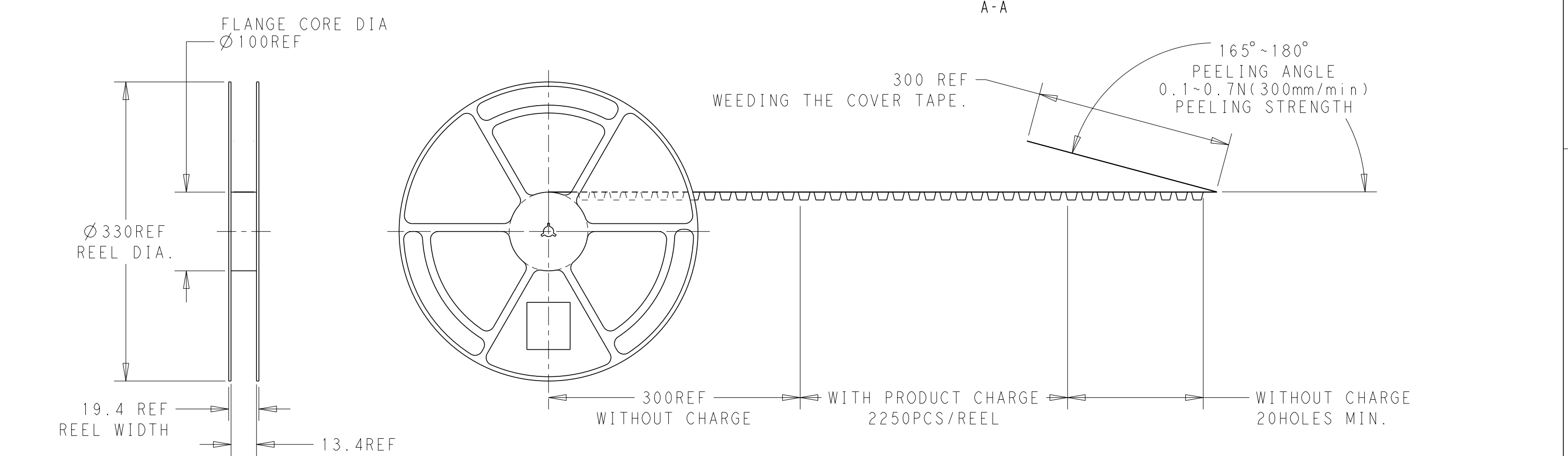
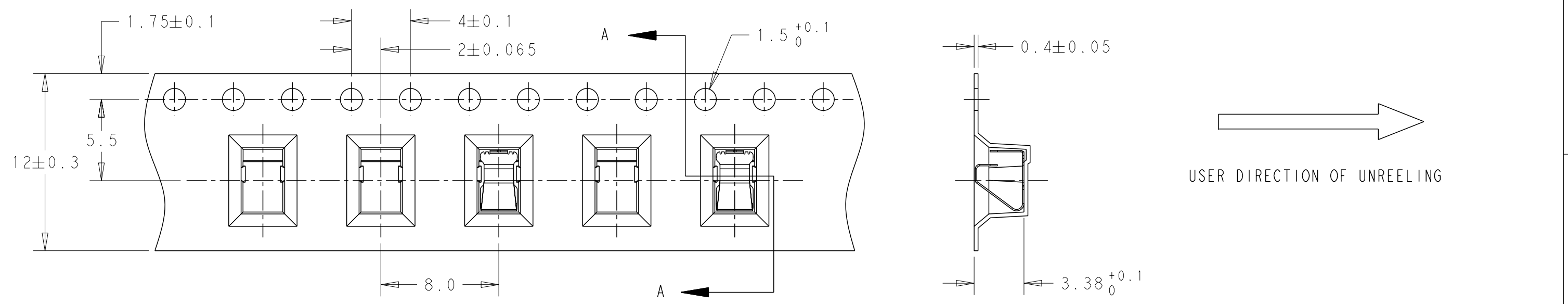


SOLDER AREA
RECOMMENDED FOOTPRINT


THIS DRAWING IS A CONTROLLED DOCUMENT.		DWN Ivan Tian 21NOV2014	TE Connectivity		
DIMENSIONS: mm		CHK Wenke He 21NOV2014			
TOLERANCES UNLESS OTHERWISE SPECIFIED: ±0.1		APVD Wenke He 21NOV2014	NAME SHIELD FINGER WITH PROTECT WALL GIANTS J95		
0 PLC ±- 1 PLC ±- 2 PLC ±- 3 PLC ±- 4 PLC ±- ANGLES ±-		PRODUCT SPEC -	RESTRICTED TO -		
MATERIAL -		FINISH -	APPLICATION SPEC -	SIZE A3	CAGE CODE 00779
		WEIGHT -	DRAWING NO C=1734303	SCALE 14:1	
		CUSTOMER DRAWING	SHEET 1 OF 4		REV 6

THIS DRAWING IS UNPUBLISHED. RELEASED FOR PUBLICATION 20
 © COPYRIGHT 20 BY - ALL RIGHTS RESERVED.

REVISIONS					
P	LTR	DESCRIPTION	DATE	DWN	APVD



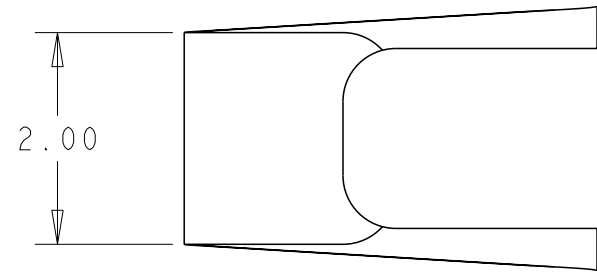
2250	1734303-2
QTY/REEL	SALES P/N

THIS DRAWING IS A CONTROLLED DOCUMENT.		DWN 21NOV2014 Ivan Tian	 TE Connectivity NAME SHIELD FINGER WITH PROTECT WALL GIANTS J95
DIMENSIONS: mm		CHK 21NOV2014 Wenke He	
TOLERANCES UNLESS OTHERWISE SPECIFIED:		APVD 21NOV2014 Wenke He	
0 PLC ±- 1 PLC ±0.2 2 PLC ±- 3 PLC ±- 4 PLC ±- ANGLES ±- FINISH -		PRODUCT SPEC -	
MATERIAL -		APPLICATION SPEC -	RESTRICTED TO -
		WEIGHT -	SIZE A3 CAGE CODE 00779 DRAWING NO C=1734303
		CUSTOMER DRAWING	SCALE 14:1 SHEET 2 OF 4 REV 6

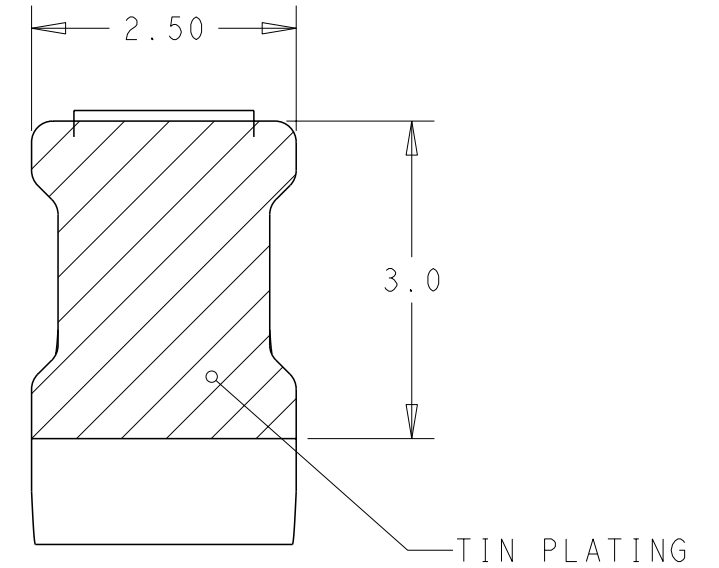
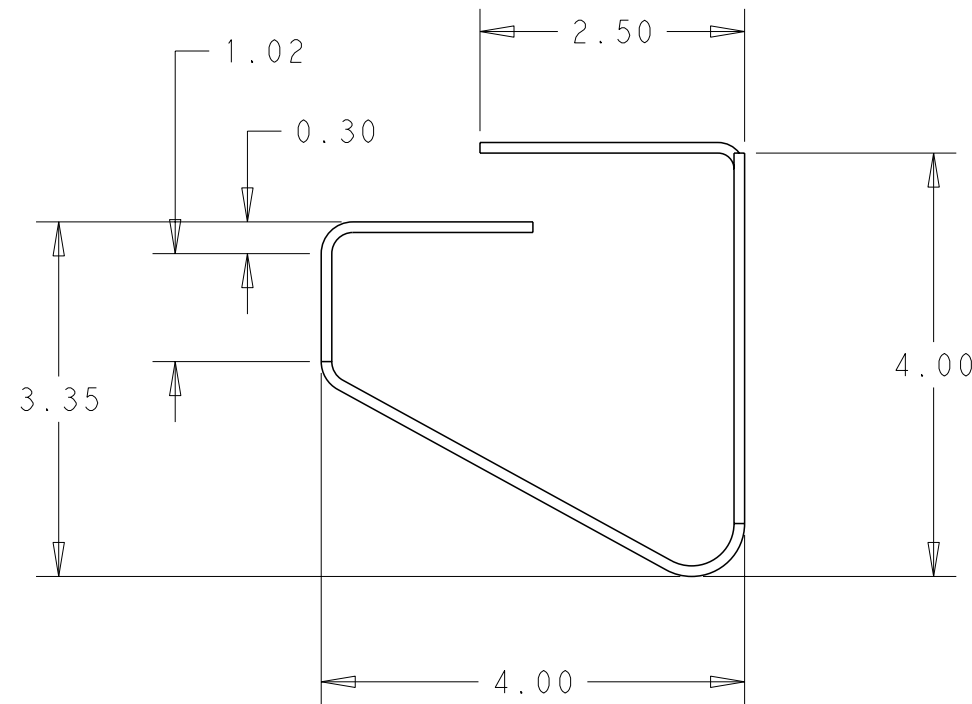
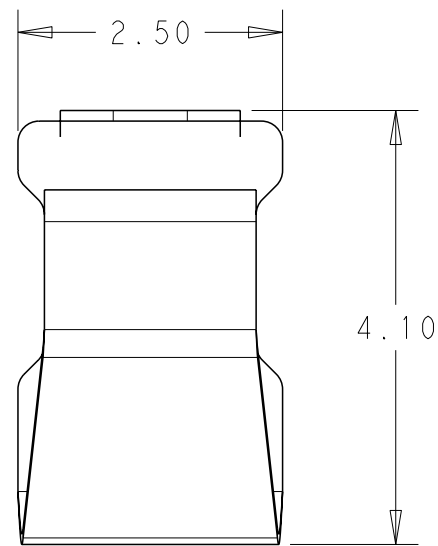
REVISIONS

P	LTR	DESCRIPTION	DATE	DWN	APVD

1734303-1 AS SHOWING



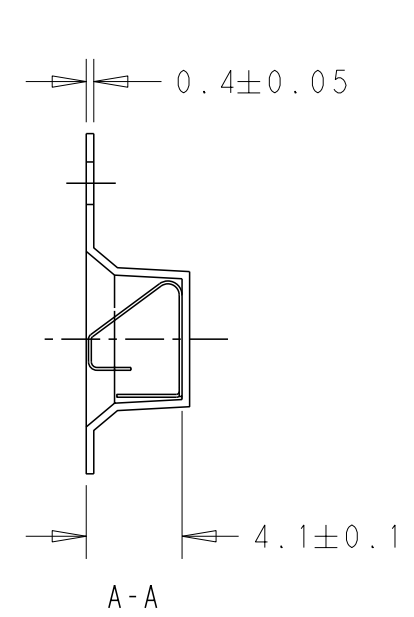
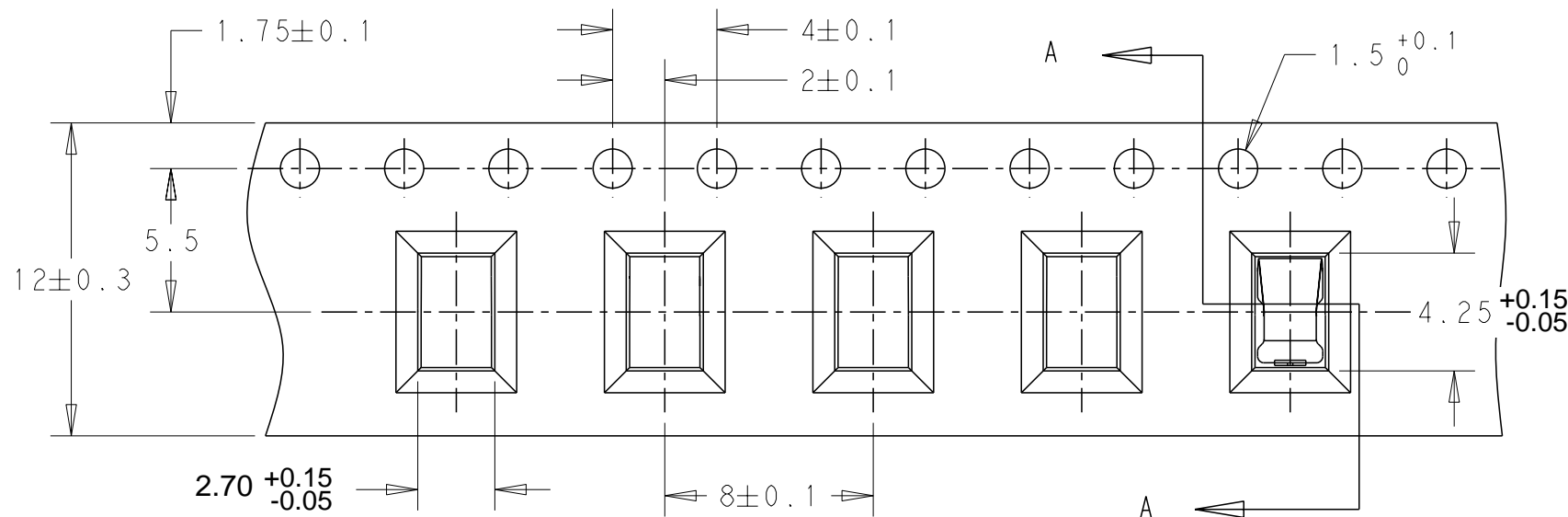
NOTE:
 1. MATERIAL: TI-CU, T=0.1±0.01MM
 2. FINISH
 100U'' MIN TIN PLATING ON THE SOLDER AREA
 40U'' MIN NICKEL UNDER PLATING OVERALL



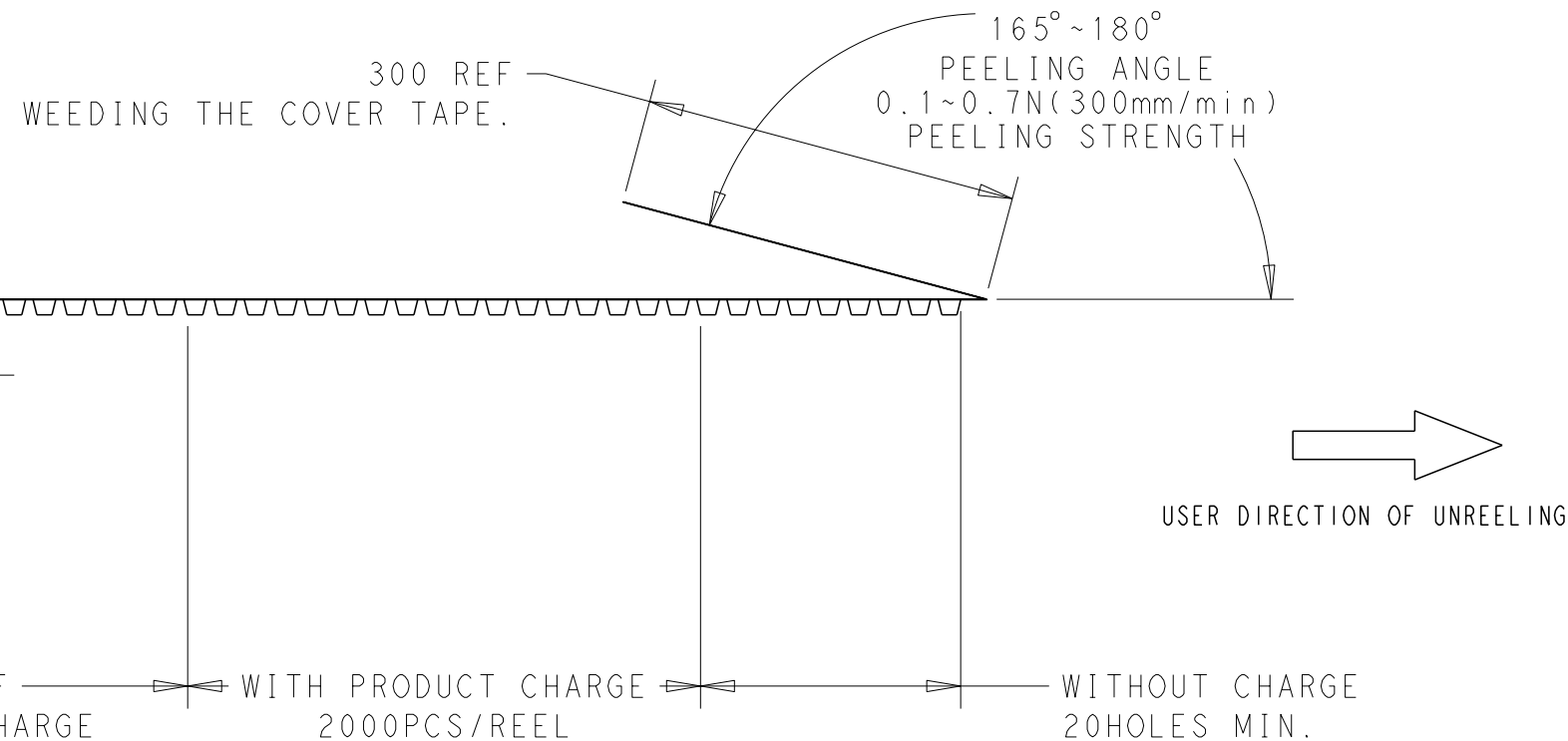
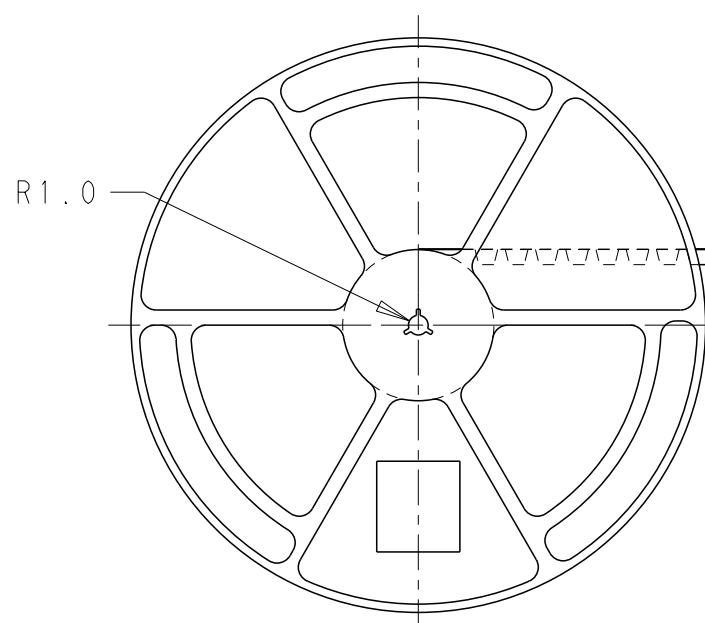
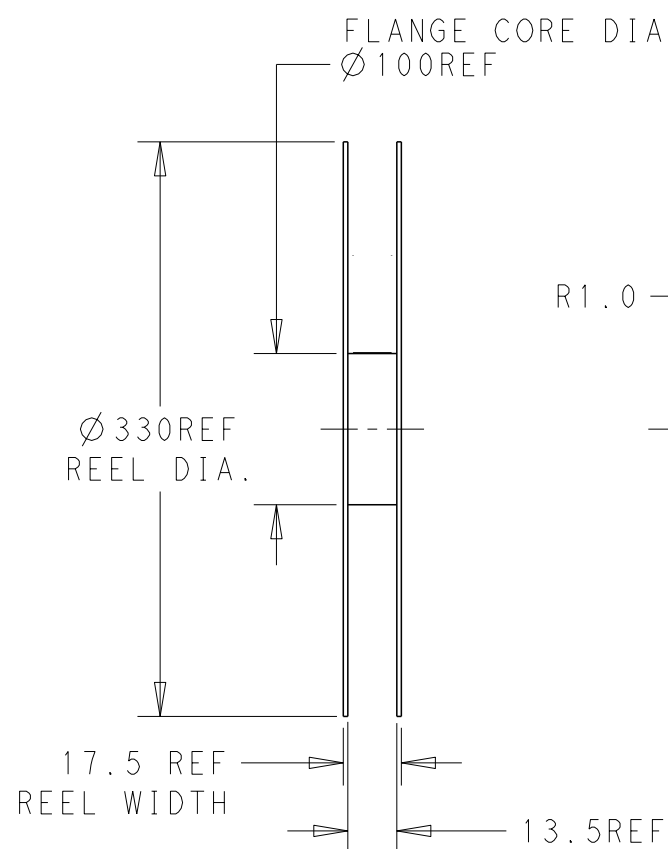
RECOMMENDED FOOT PRINT

THIS DRAWING IS A CONTROLLED DOCUMENT.		DWN	21NOV2014		
DIMENSIONS: mm		CHK	Ivan Tian 21NOV2014		
TOLERANCES UNLESS OTHERWISE SPECIFIED:		APVD	Wenke He 21NOV2014		
0 PLC ± 1 PLC ±0.3 2 PLC ±0.15 3 PLC ±0.03 4 PLC ± ANGLES ±-		PRODUCT SPEC	NAME		
MATERIAL SEE NOTE		FINISH	SEE NOTE		SHIELD FINGER WITH PROTECT WALL 4025B-T
CUSTOMER DRAWING		WEIGHT	-		SIZE
SCALE 14:1		SHEET 3 OF 4		REV 6	RESTRICTED TO

P	LTR	DESCRIPTION	DATE	DWN	APVD

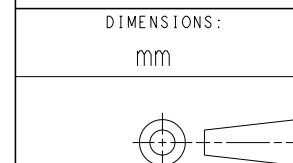


- NOTE:
1. QUANTITY
2000 PCS/REEL
12 REEL/SHIPPING BOX MAX.
 2. DIMENSION:
BOX: 340 X340X224
 3. GENERAL TOLERANCE: ±0.12
 4. MATERIAL:
CARRIER TAPE: ACRYLIC FLIM
TOP TAPE: PET FILM
REEL: PLASTIC
 5. WEIGHT:
NET WEIGHT 3.3KG
GROSS WEIGHT 4.8KG



2000	1734303-1
QTY/REEL	SALES P/N

THIS DRAWING IS A CONTROLLED DOCUMENT.



MATERIAL SEE NOTE

TOLERANCES UNLESS OTHERWISE SPECIFIED:

0 PLC	±
1 PLC	±0.12
2 PLC	±
3 PLC	±
4 PLC	±
ANGLES	±
FINISH	SEE NOTE

DWN	Ivan Tian	21NOV2014
CHK	Wenke He	21NOV2014
APVD	Wenke He	21NOV2014
PRODUCT SPEC	-	-
APPLICATION SPEC	-	-
WEIGHT	-	-

		NAME		RESTRICTED TO
		SHIELD FINGER WITH PROTECT WALL 4025B-T		
SIZE	CAGE CODE	DRAWING NO	-	
A3	00779	1734303	-	