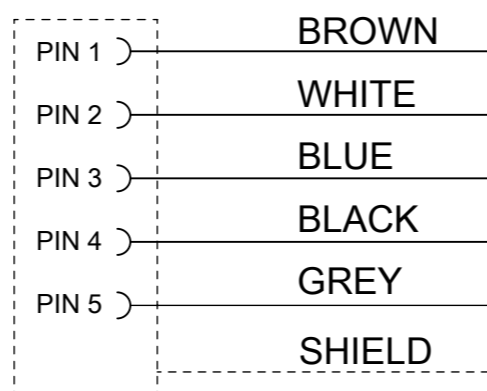


WIRING DIAGRAM



NOTES :

ELECTRICAL DATA :

VOLTAGE RATING : 60 V
 AMPERAGE RATING : 4 A
 INSULATION RESISTANCE : 10⁸ Ω MIN.
 MATING CYCLES : MIN. 100

ENVIRONMENTAL :

PROTECTION : IP67
 OPERATING TEMPERATURE:
 STATIC: -40 °C TO +90 °C
 DYNAMIC: -25 °C TO +80 °C

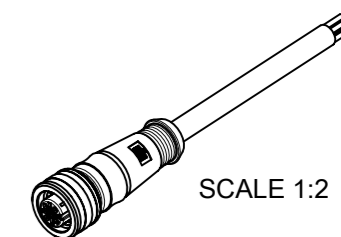


TABLE 1

MOLEX PN	ENGINEERING NO.	LENGTH
1200835387	W05S00BS1M020	2000

CABLE LENGTH TOLERANCES

LENGTH	TOLERANCE
0m-1m	+40 mm
>1m-5m	+60 mm
>5m-10m	+80 mm
>10m-20m	+140 mm
>20m-30m	+160 mm
>30m	+1% length

FUNCTIONAL SYMBOLS	THIS DRAWING CONTAINS INFORMATION THAT IS PROPRIETARY TO MOLEX ELECTRONIC TECHNOLOGIES, LLC AND SHOULD NOT BE USED WITHOUT WRITTEN PERMISSION		CURRENT REV DESC: WIRING COLOR CODE CHANGED AND STRIP LENGTH ADDED				
	△/A = 0	mm					SCALE 2:1
DIVISIONAL SYMBOLS	GENERAL TOLERANCES (UNLESS SPECIFIED)		EC NO: 662917		CSE U12 5P AC FE STR WSOR 2M SE SHL BK		
	△/E = 0	ANGULAR TOL ± 1.0 °		DRWN: RSCHIEBER 2021/05/05		PRODUCT CUSTOMER DRAWING	
	△/F = 0	4 PLACES ±		CHK'D: THAERDT 2021/05/05			
	3 PLACES ±		APPR: THAERDT 2021/05/05		DOCUMENT NUMBER		
	2 PLACES ± 0.05		INITIAL REVISION:		1200835387		
1 PLACE ± 0.3		DRWN: RSCHIEBER 2021/04/20		DOC TYPE DOC PART REVISION			
0 PLACES ± 0.5		APPR: THAERDT 2021/04/22		PSD 000 A2			
DRAFT WHERE APPLICABLE MUST REMAIN WITHIN DIMENSIONS		THIRD ANGLE PROJECTION		DRAWING A3-SIZE		SERIES 120083	
				MATERIAL NUMBER		CUSTOMER	
				SEE TABLE 1		GENERAL MARKET	
						SHEET NUMBER 1 OF 1	

BOM

ITEM	QTY.	DESCRIPTION	MATERIAL	FINISH / COLOR
5	5	CONTACT FEMALE	BRASS	Au OVER Ni PLATED
4	1	PLUG U12 FE 5P AC PUR STR UNSH	-	-
3	1	SLEEVE SHLD M12	BRASS	Ni PLATED
2	-	MOLDING MATERIAL	TPU	BLACK
1	-	CABLE 5X0.34 TPU BK D6.10 TPE SHLD	TPU	BLACK

DOCUMENT STATUS	P1	RELEASE DATE	2021/05/05	13:54:21
-----------------	----	--------------	------------	----------