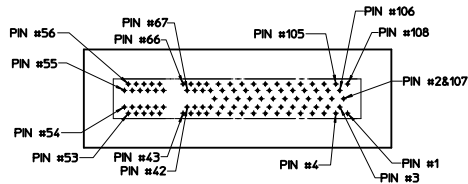
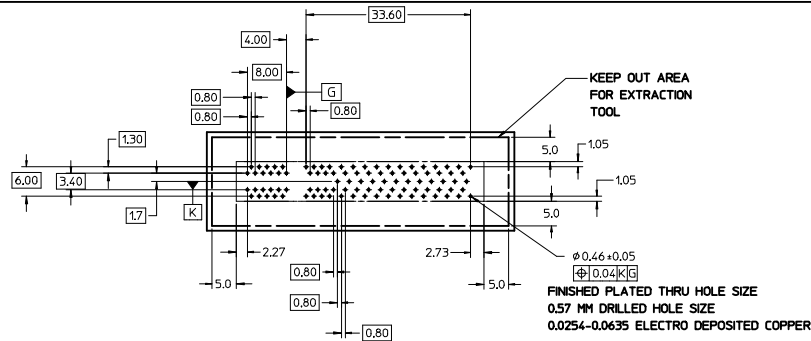
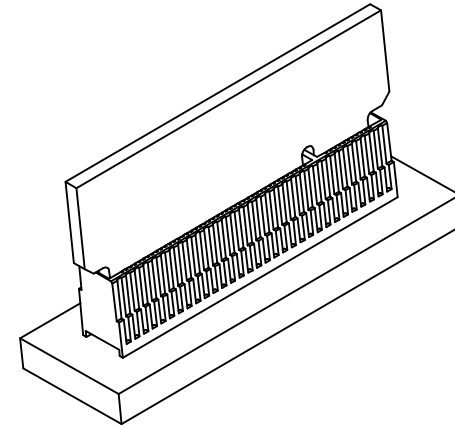
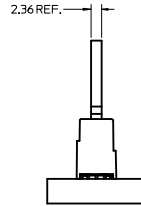
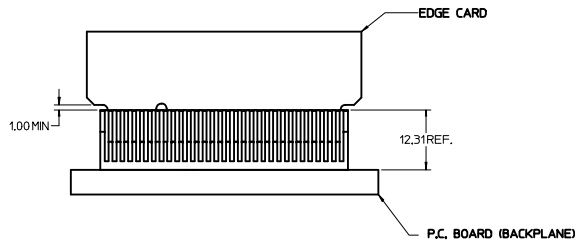
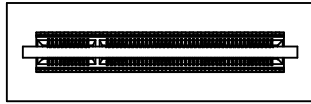


NOTES:

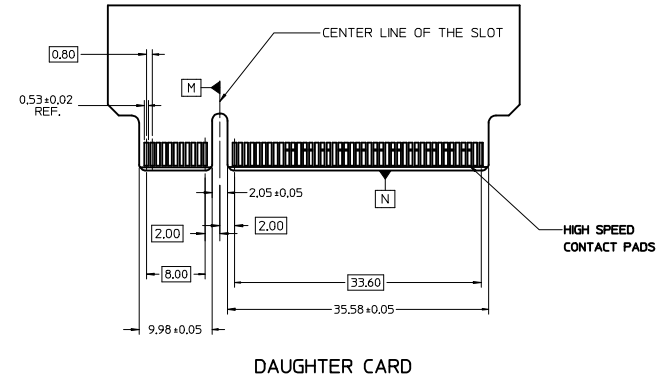
1. MATERIAL:
HOUSING - GLASS FILLED THERMOPLASTIC, 94-V0, BLACK
TERMINALS - COPPER ALLOY
2. FINISH:
TERMINALS - 0.76 MICRONS MINIMUM GOLD IN THE CONTACT AREA AND 0.76 - 1.52 MICRONS TIN IN PRESSFIT TAIL AREA OVER 1.27 MICRONS MINIMUM NICKEL OVERALL.
3. REFER TO PS-76421-001 PRODUCT SPECIFICATION FOR ALL ELECTRICAL, MECHANICAL AND ENVIROMENTAL SPECIFICATIONS.
4. REFER TO PK-75594-999 FOR ALL PACKAGING SPECIFICATIONS.
5. PROCESSING: PRESSFIT TO PC BOARD.
6. IN ORDER TO PROVIDE OPTIMAL ELECTRICAL PERFORMANCE, THE MATING BOARD MUST MEET REQUIREMENTS OF AMC.0 R2 SPECIFICATION.
7. MATING PC BOARD THICKNESS = 2.36±0.16MM OVER CONTACT PADS.
8. APPLICATION TOOLING P/N: 62201-7300
REMOVAL TOOLING P/N: 62100-6200

INITIAL RELEASE EC NO: UCP2015-1097 DRAWN BY: RWHIPPLE 2014/09/18 CHECKED BY: CHYKOPHOFF 2014/09/18 APPROVED BY: APPERSMILLER 2014/09/29 REV: A	QUALITY SYMBOLS	GENERAL TOLERANCES (UNLESS SPECIFIED)	DIMENSION STYLE	SCALE	DESIGN UNITS	THIRD ANGLE PROJECTION
	$\nabla=0$ $\nabla=1$ $\nabla=1$	mm INCH 4 PLACES ± --- ± --- 3 PLACES ± 0.13 ± --- 2 PLACES ± 0.25 ± --- 0 PLACE ± ±	MM ONLY	4:1	METRIC	
	DESCRIPTION	ANGULAR ± 2 ° DRAFT WHERE APPLICABLE MUST REMAIN WITHIN DIMENSIONS	DRAWN BY: RWHIPPLE CHECKED BY: MPOFF APPROVED BY: SMILLER	DATE: 2014/09/18 DATE: 2014/09/18 DATE: 2014/09/29	TITLE: EDGELINE 12.5GB 0.8 MM PITCH, 108 CKTS	
			MATERIAL NO. 764211000	DOCUMENT NO. RSD-76421-100		
			SIZE D	THIS DRAWING CONTAINS INFORMATION THAT IS PROPRIETARY TO MOLEX INCORPORATED AND SHOULD NOT BE USED WITHOUT WRITTEN PERMISSION		SHEET NO. 1 OF 4

P.C. BOARD MOUNTING



MOTHER BOARD HOLE LAYOUT
(COMPONENT SIDE)



DAUGHTER CARD

SEE SHEET 1 IEC NO: UCP2015-1097 DRAWN BY: RWHIPPLE CHECKED BY: CHYKHOFF APPR: SMILLER DATE: 2014/09/18	QUALITY SYMBOLS	GENERAL TOLERANCES (UNLESS SPECIFIED)	DIMENSION STYLE	SCALE	DESIGN UNITS	THIRD ANGLE PROJECTION
	▽=0	mm INCH	MM ONLY	1:1	METRIC	⊙
	▽=0	4 PLACES ± --- ± ---	DRAWN BY: RWHIPPLE	DATE: 2014/09/18	TITLE: EDGELINE 12.5GB	
	▽=0	3 PLACES ± 0.13 ± ---	CHECKED BY: MPOFF	DATE: 2014/09/18	0.8 MM PITCH, 108 CKTS	
	ANGULAR ± 2 °	DRAFT WHERE APPLICABLE MUST REMAIN WITHIN DIMENSIONS	APPROVED BY: SMILLER	DATE: 2014/09/29	MATERIAL NO. SEE SHEET 1 DOCUMENT NO. RSD-76421-100	
			SIZE D		SHEET NO. 2 OF 4	

THIS DRAWING CONTAINS INFORMATION THAT IS PROPRIETARY TO MOLEX INCORPORATED AND SHOULD NOT BE USED WITHOUT WRITTEN PERMISSION

LEGEND					
COMPONENT SIDE 1			COMPONENT SIDE 2		
PIN NO.	SIGNAL	ALLEGRO PIN NO.		SIGNAL	PIN NO.
108	PRSNT1#	60	(1)	HDD_ACT_LED#	1
107	GND / Power Return	(2)		GND / Power Return	2
106	PETp0	65	(3)	PERp0	3
105	PETn0	64	(4)	PERn0	4
104	GND / Power Return	(5)		GND / Power Return	5
103	PETp1	63	(6)	PERp1	6
102	PETn1	62	(7)	PERn1	7
101	GND / Power Return	(8)		GND / Power Return	8
100	PETp2	61	(9)	PERp2	9
99	PETn2	60	(10)	PERn2	10
98	GND / Power Return	(11)		GND / Power Return	11
97	PETp3	69	(12)	PERp3	12
96	PETn3	68	(13)	PERn3	13
95	GND / Power Return	(14)		GND / Power Return	14
94	PETp4	67	(15)	PERp4	15
93	PETn4	66	(16)	PERn4	16
92	GND / Power Return	(17)		GND / Power Return	17
91	PETp5	65	(18)	PERp5	18
90	PETn5	64	(19)	PERn5	19
89	GND / Power Return	(20)		GND / Power Return	20
88	PETp6	63	(21)	PERp6	21
87	PETn6	62	(22)	PERn6	22
86	GND / Power Return	(23)		GND / Power Return	23
85	PETp7	61	(24)	PERp7	24
84	PETn7	60	(25)	PERn7	25
83	GND / Power Return	(26)		GND / Power Return	26
82	Reserved 0	79	(27)	Reserved 4	27
81	Reserved 1	78	(28)	Reserved 5	28
80	GND / Power Return	(29)		GND / Power Return	29
79	Reserved 2	77	(30)	Reserved 6	30
78	Reserved 3	76	(31)	Reserved 7	31
77	GND / Power Return	(32)		GND / Power Return	32
76	REFCLKA+	75	(33)	REFCLKB+	33
75	REFCLKA-	74	(34)	REFCLKB-	34
74	GND / Power Return	(35)		GND / Power Return	35
73	SYS_SMBCLK	73	(36)	PH_SMBCLK	36
72	SYS_SMBDAT	72	(37)	PH_SMBDAT	37
71	JTAG1	71	(38)	WAKE#	38
70	JTAG2	70	(39)	PERST#	39
69	JTAG3	69	(40)	TACHA_MP	40
68	JTAG4	68	(41)	DO_MP	41
67	JTAG5	67	(42)	PWR_MP	42
66	CONFIG	66	(43)	TACHB_MP	43
65	VDD_12V	65	(44)	VDD_12V	44
64	VDD_12V	64	(45)	VDD_12V	45
63	VDD_12V	63	(46)	VDD_12V	46
62	VDD_12V	62	(47)	VDD_12V	47
61	VDD_12V	61	(48)	VDD_12V	48
60	VDD_12V	60	(49)	VDD_12V	49
59	VDD_12V	59	(50)	VDD_12V	50
58	VDD_12V	58	(51)	VDD_12V	51
57	VDD_12V	57	(52)	VDD_12V	52
56	VDD_12V	56	(53)	VDD_12V	53
55	BP_T2C_PWR	55	(54)	PRSNT2#	54

SEE SHEET 1 EC NO: UCP2015-1097 DRAWN BY: RWHIPPLE CHKD BY: CHYKHOFF APPR: SMILLER DATE: 2014/09/18 DATE: 2014/09/18 DATE: 2014/09/29	QUALITY SYMBOLS	GENERAL TOLERANCES (UNLESS SPECIFIED)	DIMENSION STYLE	SCALE	DESIGN UNITS	THIRD ANGLE PROJECTION
	▽=0	mm	MM ONLY	1:1	METRIC	
	▽=0	INCH				
	▽=0					
	4 PLACES ± 0.13		DRAWN BY: RWHIPPLE	DATE: 2014/09/18	TITLE: EDGELINE 12.5GB 0.8 MM PITCH, 108 CKTS	
	3 PLACES ± 0.25		CHECKED BY: MPOFF	DATE: 2014/09/18		
	2 PLACES ± 0.25		APPROVED BY: SMILLER	DATE: 2014/09/29		
	1 PLACE ± 0.25		MATERIAL NO.	DOCUMENT NO.		
	0 PLACE ± 0.25		ANGULAR ± 2 °	SEE SHEET 1	RSD-76421-100	SHEET NO. 4 OF 4
			DRAFT WHERE APPLICABLE MUST REMAIN WITHIN DIMENSIONS	THIS DRAWING CONTAINS INFORMATION THAT IS PROPRIETARY TO MOLEX INCORPORATED AND SHOULD NOT BE USED WITHOUT WRITTEN PERMISSION		