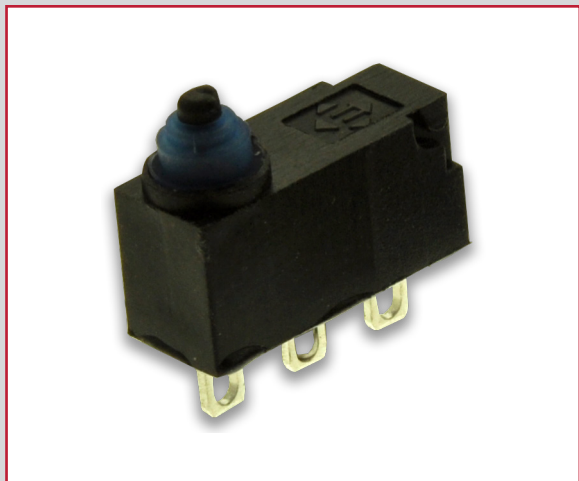


# WS SERIES SNAP ACTION SWITCH

ANTI-VANDAL SWITCHES  
 DETECTOR SWITCHES  
 DIP SWITCHES  
 KEYLOCK SWITCHES  
 NAVIGATION SWITCHES  
 PUSHBUTTON SWITCHES  
 ROCKER SWITCHES  
 ROTARY SWITCHES  
 SLIDE SWITCHES  
**SNAP ACTION SWITCHES**  
 TACTILE SWITCHES  
 TOGGLE SWITCHES  
 CAP OPTIONS



## APPLICATIONS / MARKETS



HVAC



Electrical Housewares



Floor Care Appliances



White Goods



Vending Machines



Medical Equipment

# RoHS

## SPECIFICATIONS

**Contact Rating:** 0.5A @ 42VDC  
 1A @ 24VDC  
 2A @ 12VDC  
 3A @ 125/250VAC

**Electrical Life:** 10,000 Cycles

**Mechanical Life:** 1,000,000 Cycles

**Contact Resistance:** 100mΩ Max. Initial

**Insulation Resistance:** 100MΩ Min. @ 500VDC

**Dielectric Strength:** 600VAC

**Operating/Storage Temperature:** -25°C to 85°C

**Moisture Protection:** IP67

**Contact Arrangement:** SPDT

**Actuation Force:** See Table

**Agency Approvals:** cURus

## FEATURES & BENEFITS

- Plunger or lever actuator options
- Multiple termination options
- IP67 rated

## PART NUMBER CONFIGURATOR

| Series                          | Operating Temperature                   | Current Rating   | Actuator   | Operating Force  | Termination  | Circuit                               |
|---------------------------------|---|--|--|--|--|---------------------------------------|
| <input type="text" value="WS"/> | <input type="text" value="085 - 85°C"/> | <input type="text" value="01 - 0.5A @ 42VDC&lt;br/&gt;1A @ 24VDC&lt;br/&gt;2A @ 12VDC&lt;br/&gt;3A @ 125/250VAC"/> | <input type="text" value="00 - Pin Plunger&lt;br/&gt;01 - 20mm Lever&lt;br/&gt;02 - 15mm Simulated Roller"/> | <input type="text" value="F050 - 50 grams with 01 lever&lt;br/&gt;F070 - 70 grams with 00 plunger or 02 lever"/> | <input type="text" value="P - PCB Pins&lt;br/&gt;S - Solder Lug&lt;br/&gt;W - Wire Leads (300mm Length)"/> | <input type="text" value="A - SPDT"/> |

Specifications subject to change without notice 3.9.2018



E-SWITCH®

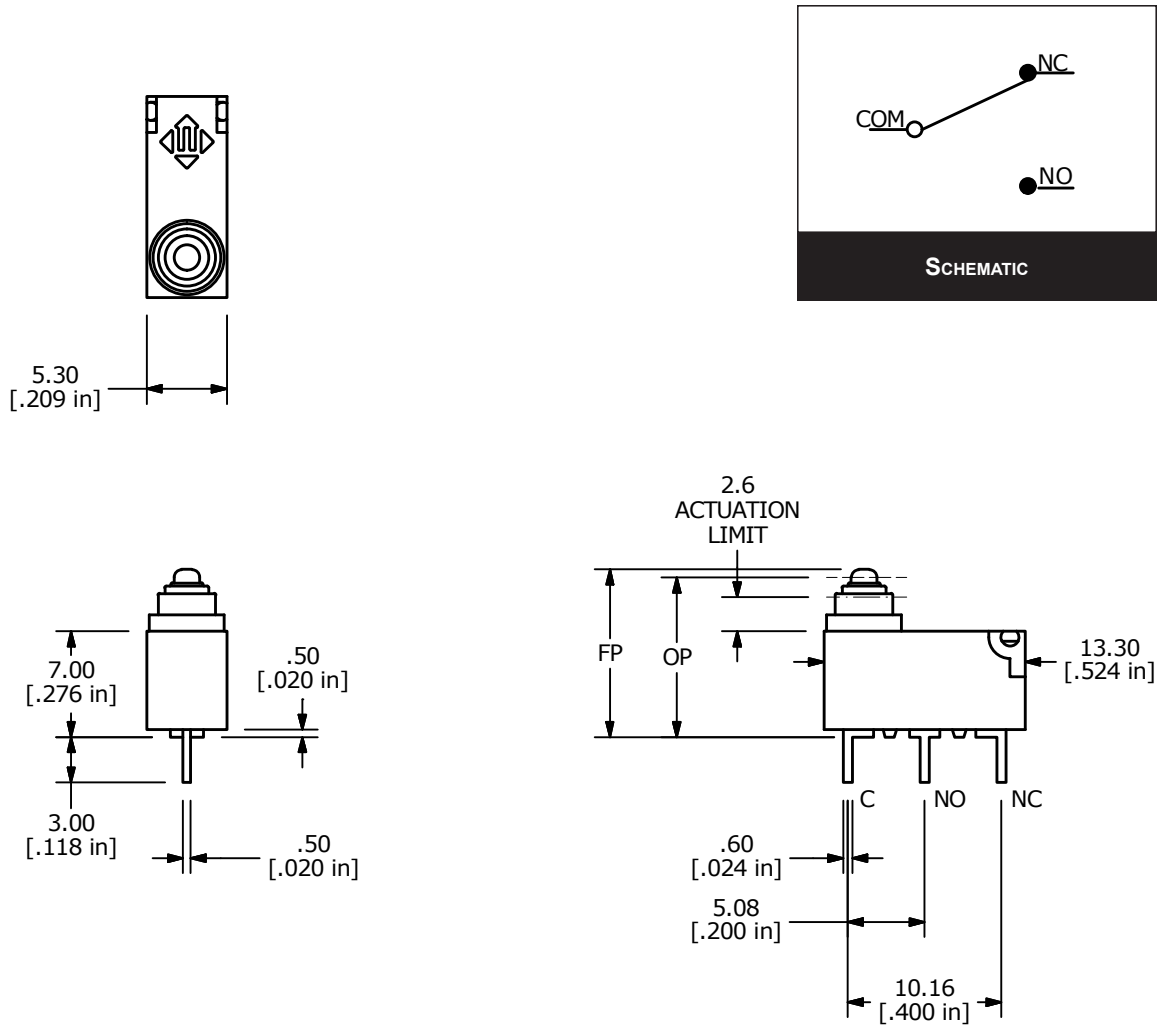
www.e-switch.com

800.867.2717

1

# WS SERIES SNAP ACTION SWITCH

## PCB PIN TERMINALS

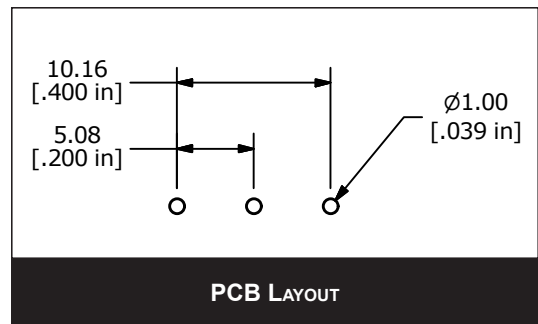


NOTE: ACTUATION BELOW THE 2.6mm ACTUATION LIMIT MAY CAUSE DAMAGE TO THE INTERNAL CONTACTS.

## PCB TERMINALS WITH 00 PIN PLUNGER

| OPERATING POINT CHART |             |                 |
|-----------------------|-------------|-----------------|
| ACTUATOR STYLE        | FREE POINT  | OPERATING POINT |
| 00                    | 11.5mm Max. | 10.5±0.3mm      |
| 01                    | 15.5mm Max. | 13.3±0.8mm      |
| 02                    | 16.0mm Max. | 14.8±0.8mm      |

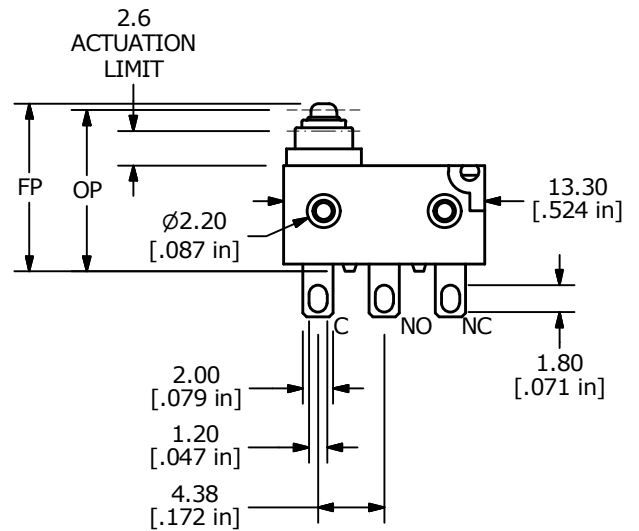
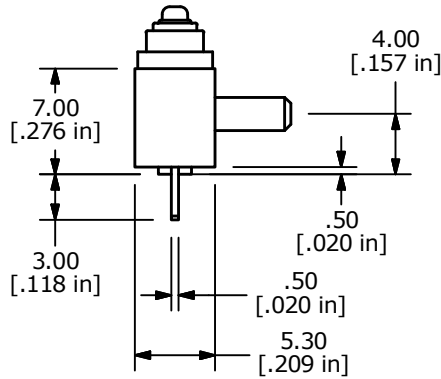
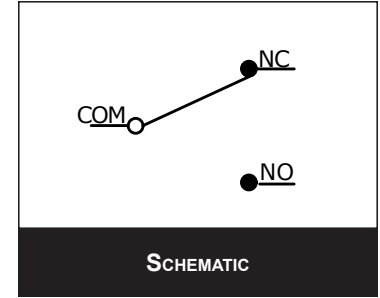
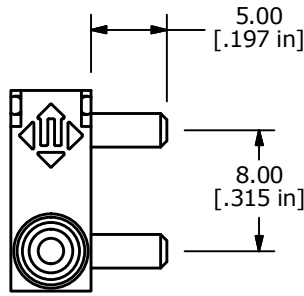
NOTE: FOR WIRE LEAD TERMINATION MODELS, THE FREE POINT AND OPERATING POINT WOULD BE MEASURED FROM THE MOUNTING BOSSES. THIS WILL REDUCE THE ABOVE LISTED VALUES BY 4MM'S



ANTI-VANDAL SWITCHES  
 DETECTOR SWITCHES  
 DIP SWITCHES  
 KEYLOCK SWITCHES  
 NAVIGATION SWITCHES  
 PUSHBUTTON SWITCHES  
 ROCKER SWITCHES  
 ROTARY SWITCHES  
 SLIDE SWITCHES  
 SNAP ACTION SWITCHES  
 TACTILE SWITCHES  
 TOGGLE SWITCHES  
 CAP OPTIONS

# WS SERIES SNAP ACTION SWITCH

## SOLDER LUG TERMINALS



NOTE: ACTUATION BELOW THE 2.6mm ACTUATION LIMIT MAY CAUSE DAMAGE TO THE INTERNAL CONTACTS.

## SOLDER LUG TERMINALS WITH 00 PIN PLUNGER

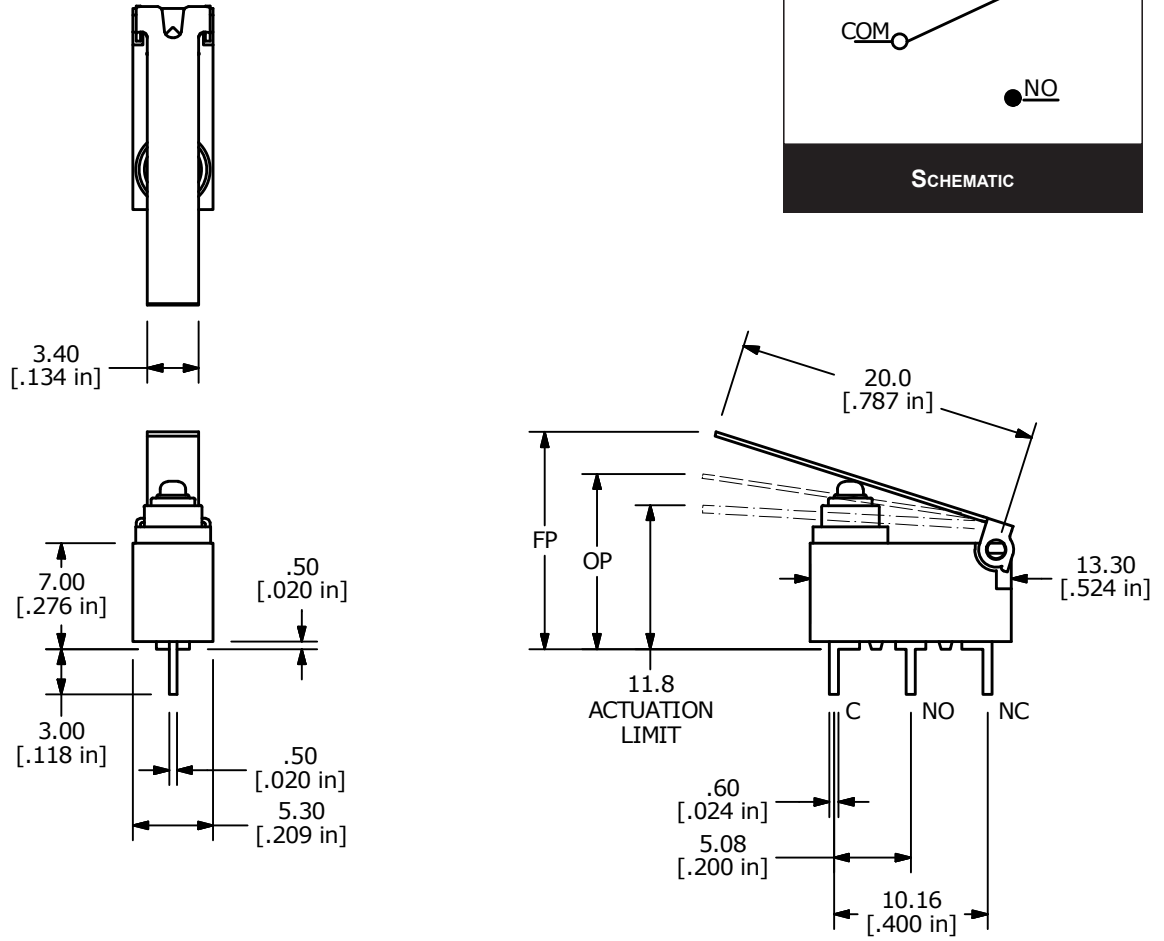
| OPERATING POINT CHART |             |                 |
|-----------------------|-------------|-----------------|
| ACTUATOR STYLE        | FREE POINT  | OPERATING POINT |
| 00                    | 11.5mm Max. | 10.5±0.3mm      |
| 01                    | 15.5mm Max. | 13.3±0.8mm      |
| 02                    | 16.0mm Max. | 14.8±0.8mm      |

NOTE: FOR WIRE LEAD TERMINATION MODELS, THE FREE POINT AND OPERATING POINT WOULD BE MEASURED FROM THE MOUNTING BOSSES. THIS WILL REDUCE THE ABOVE LISTED VALUES BY 4MM'S



# WS SERIES SNAP ACTION SWITCH

## PCB PIN TERMINALS

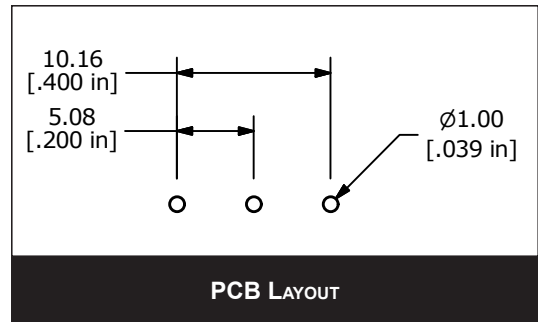


NOTE: ACTUATION BELOW THE 11.8mm ACTUATION LIMIT MAY CAUSE DAMAGE TO THE INTERNAL CONTACTS.

## PCB TERMINALS WITH 01 LEVER

| OPERATING POINT CHART |             |                 |
|-----------------------|-------------|-----------------|
| ACTUATOR STYLE        | FREE POINT  | OPERATING POINT |
| 00                    | 11.5mm Max. | 10.5±0.3mm      |
| 01                    | 15.5mm Max. | 13.3±0.8mm      |
| 02                    | 16.0mm Max. | 14.8±0.8mm      |

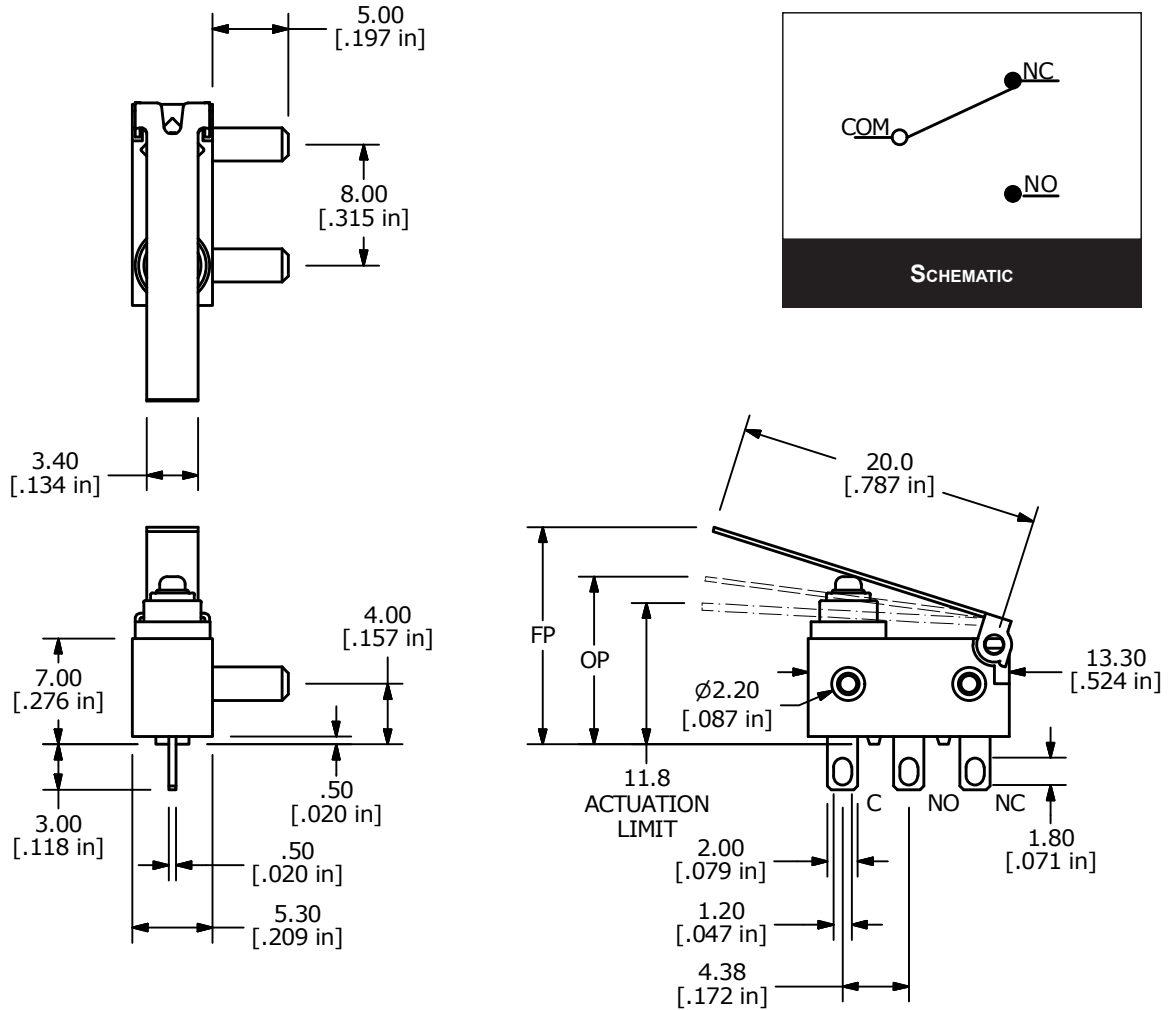
NOTE: FOR WIRE LEAD TERMINATION MODELS, THE FREE POINT AND OPERATING POINT WOULD BE MEASURED FROM THE MOUNTING BOSSES. THIS WILL REDUCE THE ABOVE LISTED VALUES BY 4MM'S



ANTI-VANDAL SWITCHES  
 DETECTOR SWITCHES  
 DIP SWITCHES  
 KEYLOCK SWITCHES  
 NAVIGATION SWITCHES  
 PUSHBUTTON SWITCHES  
 ROCKER SWITCHES  
 ROTARY SWITCHES  
 SLIDE SWITCHES  
**SNAP ACTION SWITCHES**  
 TACTILE SWITCHES  
 TOGGLE SWITCHES  
 CAP OPTIONS

# WS SERIES SNAP ACTION SWITCH

## SOLDER LUG TERMINALS



NOTE: ACTUATION BELOW THE 11.8mm ACTUATION LIMIT MAY CAUSE DAMAGE TO THE INTERNAL CONTACTS.

### SOLDER LUG TERMINALS WITH 01 LEVER

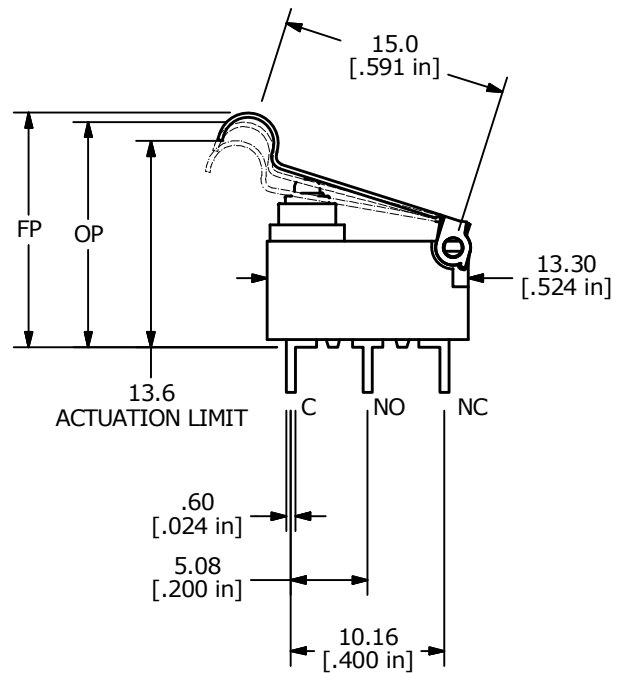
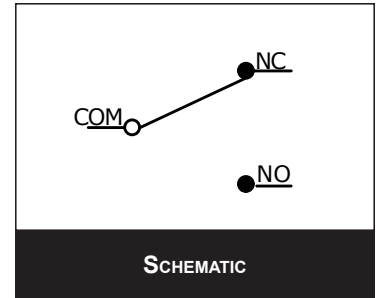
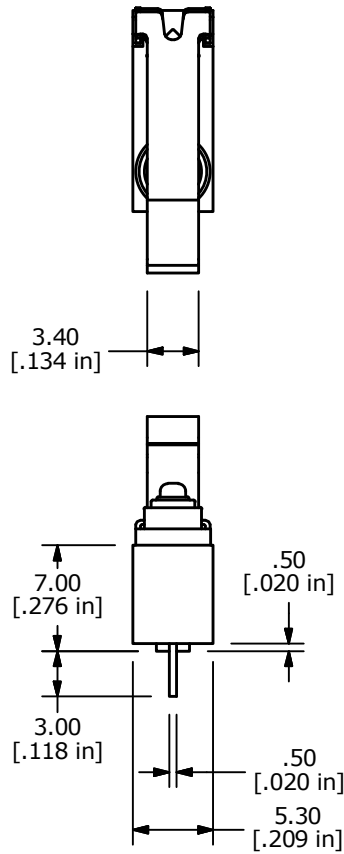
| OPERATING POINT CHART |             |                 |
|-----------------------|-------------|-----------------|
| ACTUATOR STYLE        | FREE POINT  | OPERATING POINT |
| 00                    | 11.5mm Max. | 10.5±0.3mm      |
| 01                    | 15.5mm Max. | 13.3±0.8mm      |
| 02                    | 16.0mm Max. | 14.8±0.8mm      |

NOTE: FOR WIRE LEAD TERMINATION MODELS, THE FREE POINT AND OPERATING POINT WOULD BE MEASURED FROM THE MOUNTING BOSSES. THIS WILL REDUCE THE ABOVE LISTED VALUES BY 4MM'S



# WS SERIES SNAP ACTION SWITCH

## PCB PIN TERMINALS

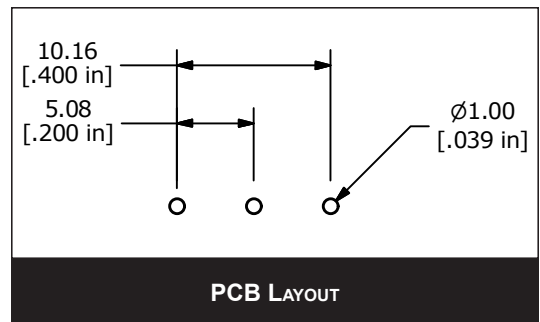


NOTE: ACTUATION BELOW THE 13.6mm ACTUATION LIMIT MAY CAUSE DAMAGE TO THE INTERNAL CONTACTS.

### PCB TERMINALS WITH 02 LEVER

| OPERATING POINT CHART |             |                 |
|-----------------------|-------------|-----------------|
| ACTUATOR STYLE        | FREE POINT  | OPERATING POINT |
| 00                    | 11.5mm Max. | 10.5±0.3mm      |
| 01                    | 15.5mm Max. | 13.3±0.8mm      |
| 02                    | 16.0mm Max. | 14.8±0.8mm      |

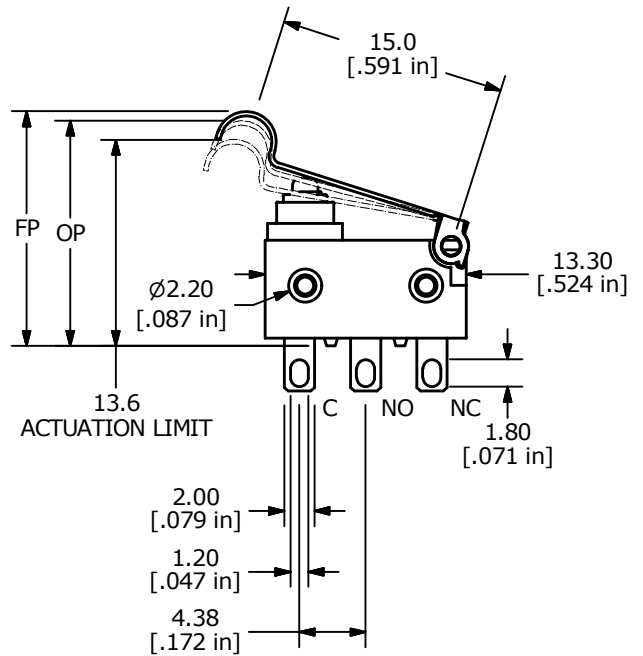
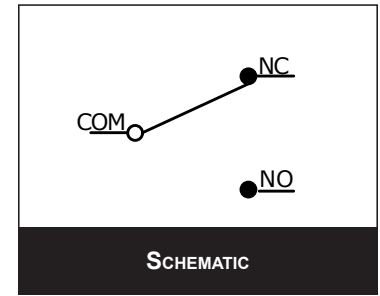
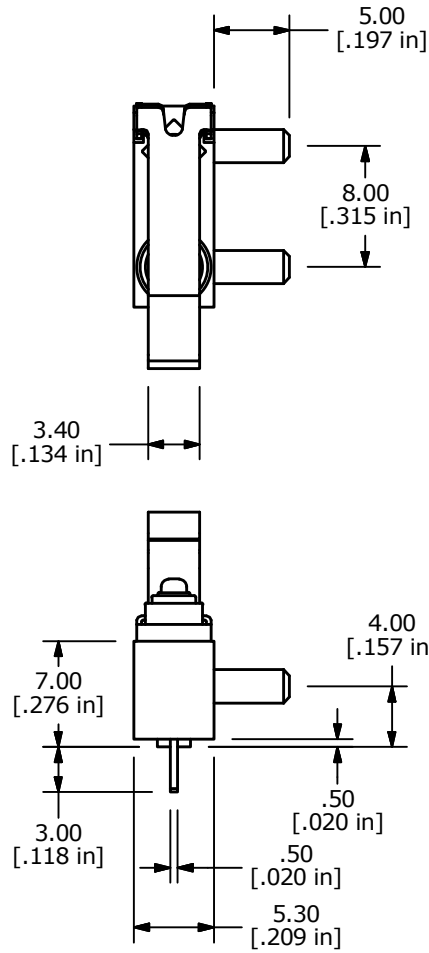
NOTE: FOR WIRE LEAD TERMINATION MODELS, THE FREE POINT AND OPERATING POINT WOULD BE MEASURED FROM THE MOUNTING BOSSES. THIS WILL REDUCE THE ABOVE LISTED VALUES BY 4MM'S



ANTI-VANDAL SWITCHES  
 DETECTOR SWITCHES  
 DIP SWITCHES  
 KEYLOCK SWITCHES  
 NAVIGATION SWITCHES  
 PUSHBUTTON SWITCHES  
 ROCKER SWITCHES  
 ROTARY SWITCHES  
 SLIDE SWITCHES  
**SNAP ACTION SWITCHES**  
 TACTILE SWITCHES  
 TOGGLE SWITCHES  
 CAP OPTIONS

# WS SERIES SNAP ACTION SWITCH

## SOLDER LUG TERMINALS



NOTE: ACTUATION BELOW THE 13.6mm ACTUATION LIMIT MAY CAUSE DAMAGE TO THE INTERNAL CONTACTS.

### SOLDER LUG TERMINALS WITH 02 LEVER

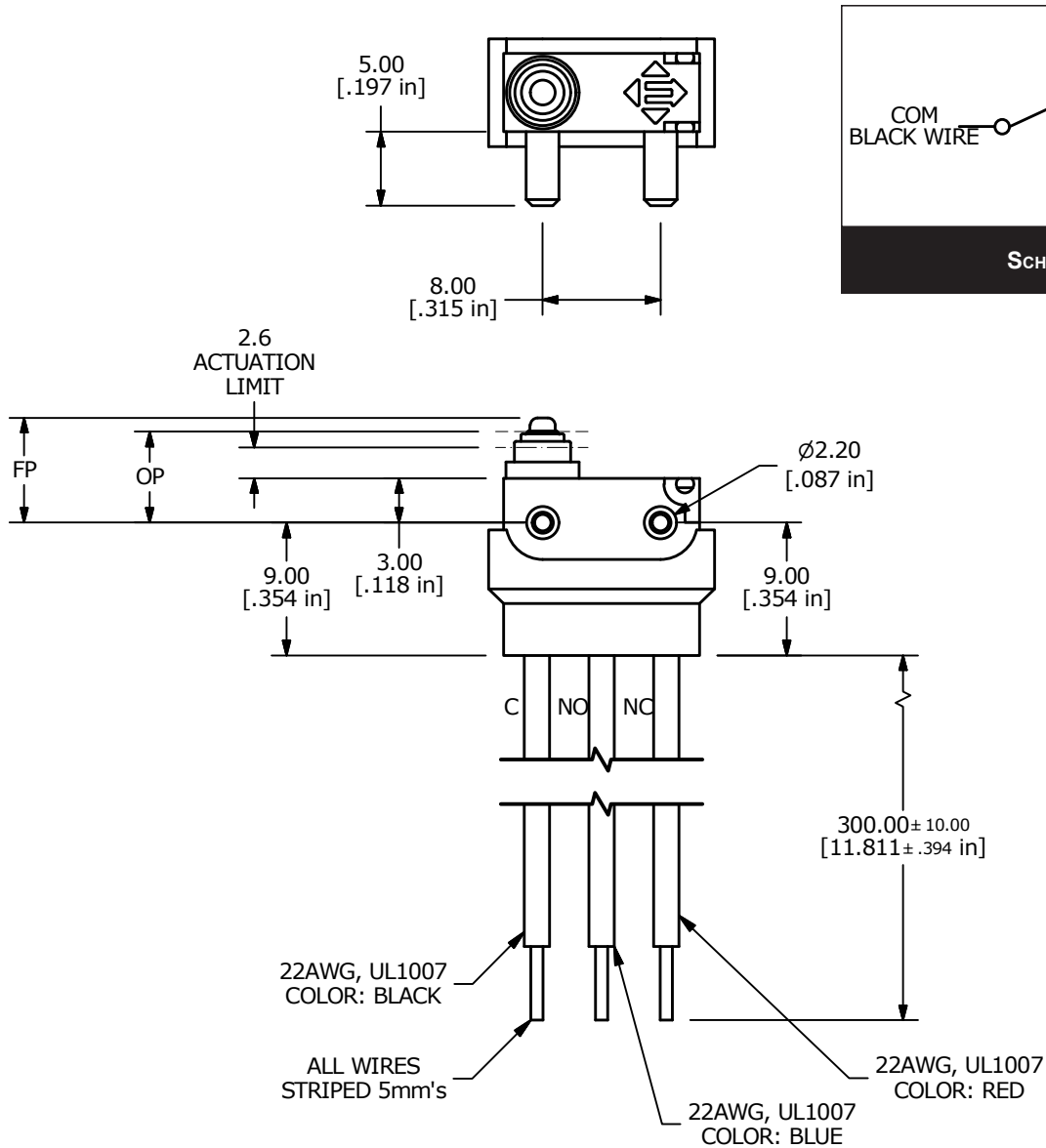
| OPERATING POINT CHART |             |                 |
|-----------------------|-------------|-----------------|
| ACTUATOR STYLE        | FREE POINT  | OPERATING POINT |
| 00                    | 11.5mm Max. | 10.5±0.3mm      |
| 01                    | 15.5mm Max. | 13.3±0.8mm      |
| 02                    | 16.0mm Max. | 14.8±0.8mm      |

NOTE: FOR WIRE LEAD TERMINATION MODELS, THE FREE POINT AND OPERATING POINT WOULD BE MEASURED FROM THE MOUNTING BOSSES. THIS WILL REDUCE THE ABOVE LISTED VALUES BY 4MM'S



# WS SERIES SNAP ACTION SWITCH

## WIRE LEADS



NOTE: ACTUATION BELOW THE 2.6mm ACTUATION LIMIT MAY CAUSE DAMAGE TO THE INTERNAL CONTACTS.

| OPERATING POINT CHART |             |                 |
|-----------------------|-------------|-----------------|
| ACTUATOR STYLE        | FREE POINT  | OPERATING POINT |
| 00                    | 6.5mm Max.  | 7.5±0.3mm       |
| 01                    | 11.5mm Max. | 9.3±0.8mm       |
| 02                    | 12.0mm Max. | 10.8±0.8mm      |

NOTE: FOR WIRE LEAD TERMINATION MODELS, THE FREE POINT AND OPERATING POINT WOULD BE MEASURED FROM THE MOUNTING BOSSES. THIS WILL REDUCE THE ABOVE LISTED VALUES BY 4MM'S

WIRE LEADS  
WITH 00 PIN PLUNGER

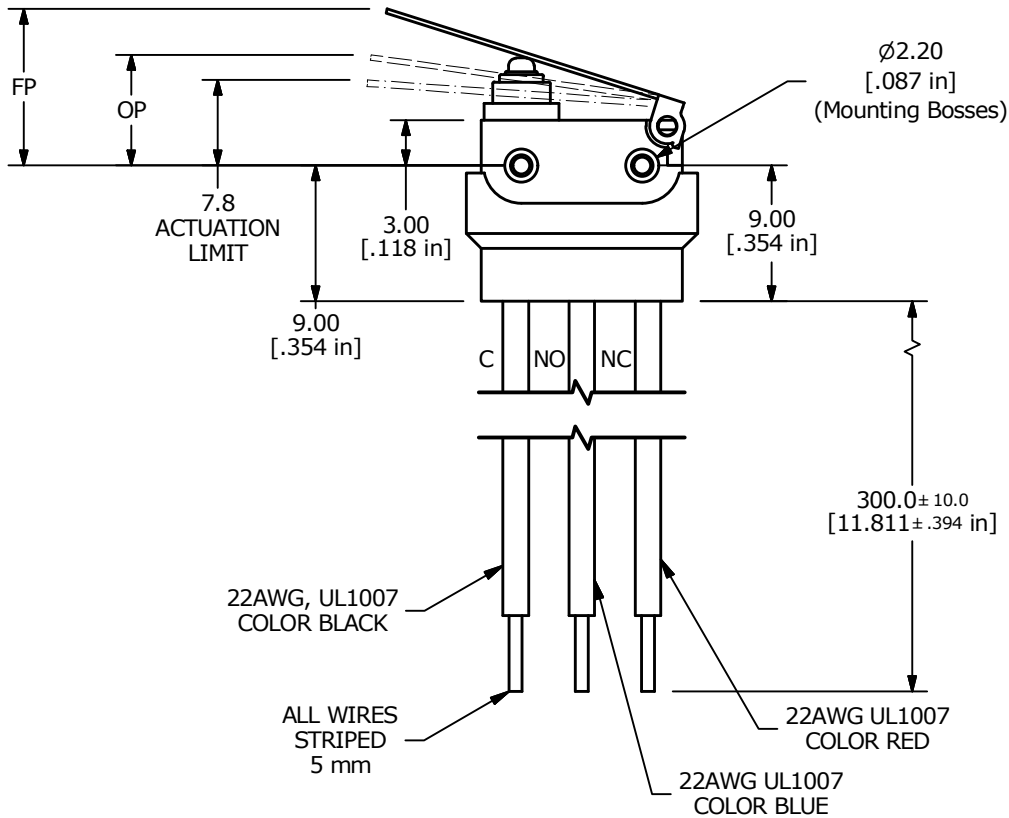
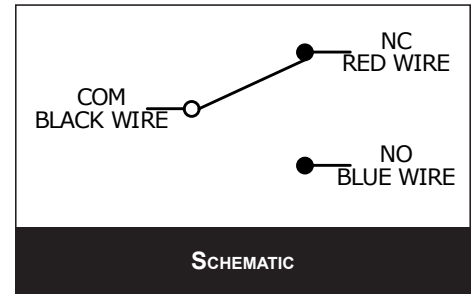
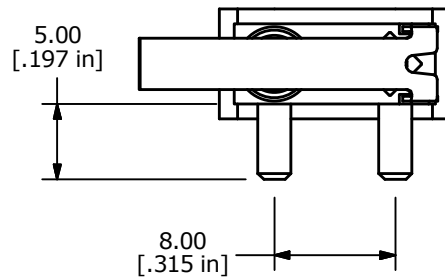


- ANTI-VANDAL SWITCHES
- DETECTOR SWITCHES
- DIP SWITCHES
- KEYLOCK SWITCHES
- NAVIGATION SWITCHES
- PUSHBUTTON SWITCHES
- ROCKER SWITCHES
- ROTARY SWITCHES
- SLIDE SWITCHES
- SNAP ACTION SWITCHES
- TACTILE SWITCHES
- TOGGLE SWITCHES
- CAP OPTIONS



# WS SERIES SNAP ACTION SWITCH

## WIRE LEADS



NOTE: ACTUATION BELOW THE 7.8mm ACTUATION LIMIT MAY CAUSE DAMAGE TO THE INTERNAL CONTACTS.

| OPERATING POINT CHART |             |                 |
|-----------------------|-------------|-----------------|
| ACTUATOR STYLE        | FREE POINT  | OPERATING POINT |
| 00                    | 6.5mm Max.  | 7.5±0.3mm       |
| 01                    | 11.5mm Max. | 9.3±0.8mm       |
| 02                    | 12.0mm Max. | 10.8±0.8mm      |

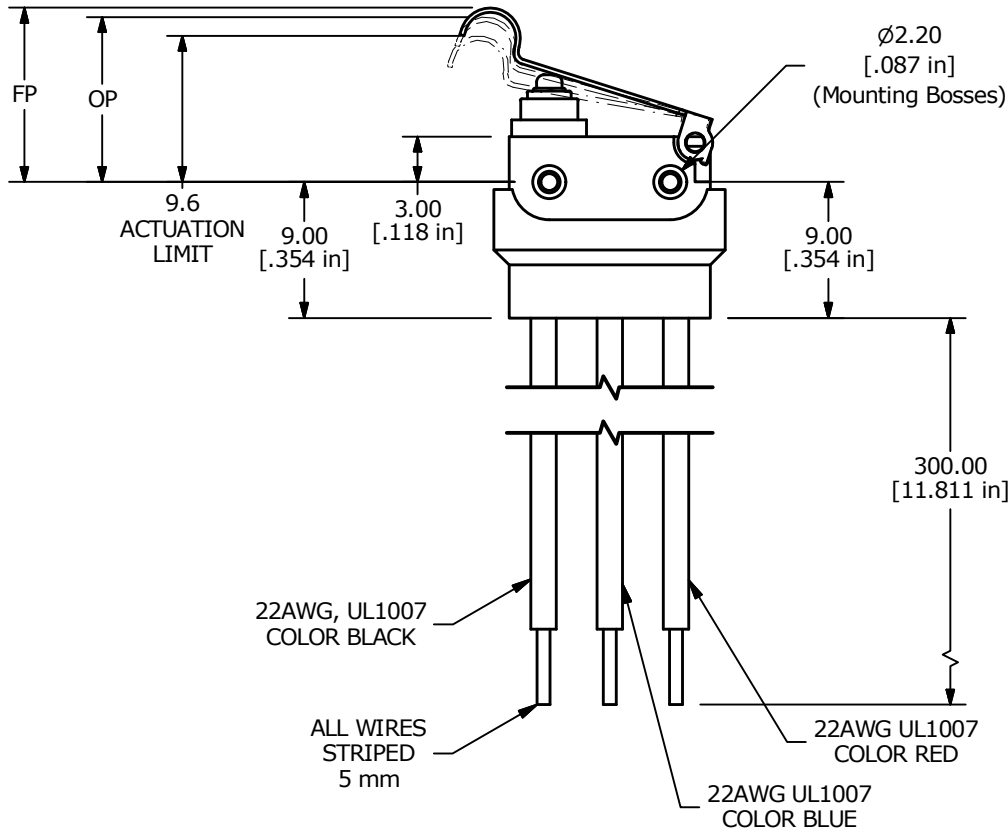
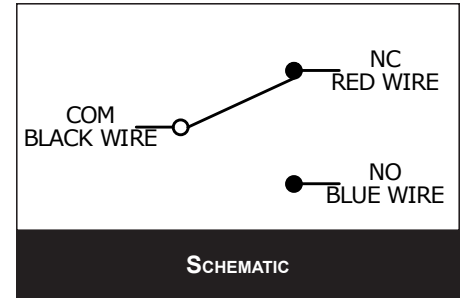
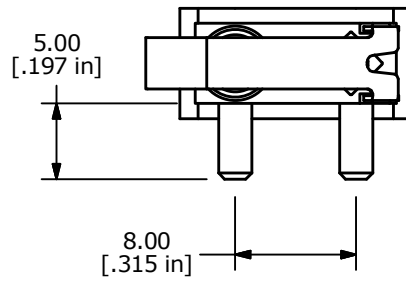
**WIRE LEADS  
WITH 01 LEVER**

NOTE: FOR WIRE LEAD TERMINATION MODELS, THE FREE POINT AND OPERATING POINT WOULD BE MEASURED FROM THE MOUNTING BOSSES. THIS WILL REDUCE THE ABOVE LISTED VALUES BY 4MM'S



# WS SERIES SNAP ACTION SWITCH

## WIRE LEADS



NOTE: ACTUATION BELOW THE 9.6mm ACTUATION LIMIT MAY CAUSE DAMAGE TO THE INTERNAL CONTACTS.

### WIRE LEADS WITH 02 SIMULATED LEVER

| OPERATING POINT CHART |             |                 |
|-----------------------|-------------|-----------------|
| ACTUATOR STYLE        | FREE POINT  | OPERATING POINT |
| 00                    | 6.5mm Max.  | 7.5±0.3mm       |
| 01                    | 11.5mm Max. | 9.3±0.8mm       |
| 02                    | 12.0mm Max. | 10.8±0.8mm      |

NOTE: FOR WIRE LEAD TERMINATION MODELS, THE FREE POINT AND OPERATING POINT WOULD BE MEASURED FROM THE MOUNTING BOSSES. THIS WILL REDUCE THE ABOVE LISTED VALUES BY 4MM'S



- ANTI-VANDAL SWITCHES
- DETECTOR SWITCHES
- DIP SWITCHES
- KEYLOCK SWITCHES
- NAVIGATION SWITCHES
- PUSHBUTTON SWITCHES
- ROCKER SWITCHES
- ROTARY SWITCHES
- SLIDE SWITCHES
- SNAP ACTION SWITCHES**
- TACTILE SWITCHES
- TOGGLE SWITCHES
- CAP OPTIONS