

REVISIONS			
REV	DESCRIPTION, ECN, EAR NO.	DATE	APP'D
B	PRODUCT DRAWING (EAR 14806)	JUN12/20	M.P.
C	PRODUCT DRAWING (EAR 14806)	JUL24/20	M.P.

ORDERING CODE: ND9-BS1X-00

SERIES, IX INDUSTRIAL

TYPE B KEY

SOCKET / RECEPTACLE

RIGHT ANGLE FLAG STYLE

PLATING FOR MATING AREA
 2 = 0.20µm (8µ") GOLD
 7 = 0.76µm (30µ") PALLADIUM NICKEL WITH GOLD FLASH

STANDARD

NOTES:

- MATERIAL: RoHS COMPLIANT PER EU DIRECTIVE 2011/65/EU AND AMENDMENTS.
 - SHIELD: STAINLESS STEEL, MATTE TIN OVER NICKEL PLATED.
 - INSERTS: HIGH TEMPERATURE RESISTANT ENGINEERING THERMOPLASTIC, GLASS REINFORCED, UL94V-0, GRAY.
 - CONTACTS: COPPER ALLOY PLATED WITH GOLD OR PALLADIUM-NICKEL (SEE ORDERING CODE) OVER 1.27µm (50µ") MINIMUM NICKEL ON THE MATING AREA AND GOLD FLASH ON THE SMT TAILS.
- CONNECTORS ARE PROVIDED IN TAPE & REEL PACKAGING FOR PICK & PLACE PROCESSING AND ARE SUITABLE FOR IR REFLOW SOLDERING OF PIN IN PASTE SHIELD TAILS AND SURFACE MOUNT CONTACT TAILS.
- DESIGNED TO CONFORM TO REQUIREMENTS OF IEC 61076 PART 3-124 SPECIFICATION. THE TYPE B KEY FEATURE SHOWN IS INTENDED FOR NON-ETHERNET APPLICATIONS. IN SPECIAL SITUATIONS, THE TYPE B KEYED CONNECTORS, USED IN CONJUNCTION WITH TYPE A KEYED CONNECTORS, MAY BE USED AS A METHOD TO SEGREGATE OR CONTROL MATING PLUG INSTALLATIONS IN A COMPLEX ETHERNET APPLICATION.
- CURRENT RATING: 1.5 AMPERES, VOLTAGE RATING: 50V AC rms OR 60V DC
- OPERATING TEMPERATURE -55° TO +85°C.
- DIELECTRIC WITHSTANDING VOLTAGE: 500V DC
- CONTACT RESISTANCE: 30 MILLIOHMS MAXIMUM.
- INSULATION RESISTANCE: 500 MEGOHMS MINIMUM.
- MATING & UNMATING FORCE: 25N (5.6 lbf) MAXIMUM.



UNLESS SPECIFIED OTHERWISE	DRAWN	J.BRAR	FEB24/20
PRIMARY UNITS MILLIMETERS	CHECKED	K.LAMBIE	FEB25/20
SECONDARY INCHES	M.E. APP'D		
REFERENCE IN PARENTHESES	Q.A. APP'D		
GENERAL TOLERANCES	DWG APPR.		
1 DECIMAL PLACE	ENG. REL. NO.	EAR 14806	
2 DECIMAL PLACES	REF.		
3 DECIMAL PLACES	THIRD ANGLE PROJECTION		
ANGULAR DEGREES	DO NOT SCALE DRAWING		

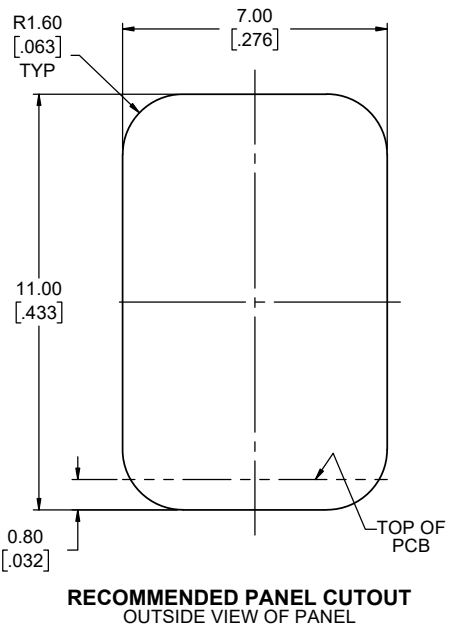
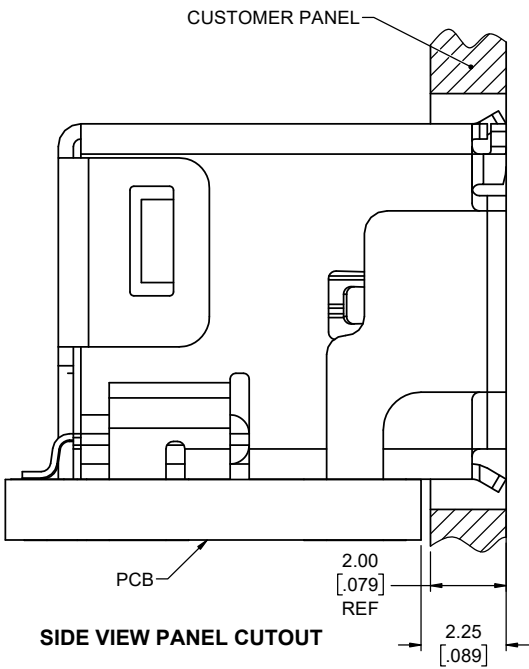
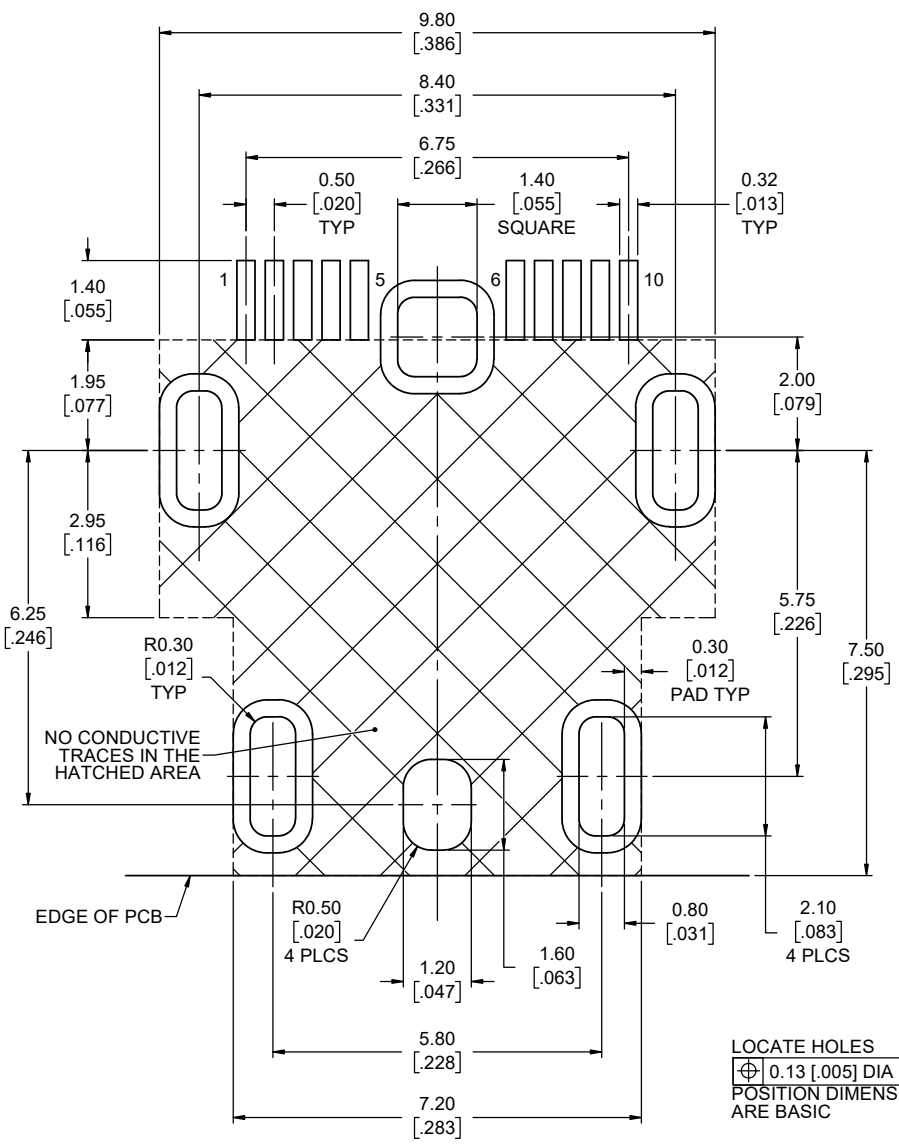
Amphenol Canada Corp.
 Commercial Products

**IX INDUSTRIAL CONNECTOR,
 10 POSITION RIGHT ANGLE FLAG STYLE,
 SMT TERMINATION, CAT 6A HIGH SPEED
 PERFORMANCE, RoHS COMPLIANT**

DWG. NO. **P-ND9-BS1X-00** REV **C**

CODE ID NO. 03554 DWG SIZE: X SCALE: 10:1 SHEET 1 OF 2

REVISIONS			
REV	DESCRIPTION, ECN, EAR NO.	DATE	APP'D
B	PRODUCT DRAWING (EAR 14806)	JUN12/20	M.P.
C	PRODUCT DRAWING (EAR 14806)	JUL24/20	M.P.



CONNECTOR PIN ASSIGNMENT
 (IF USED FOR ETHERNET)

POSITION NUMBER	PIN ASSIGNMENT 10 OR 100 Mbit/S ETHERNET	PIN ASSIGNMENT 1, 2.5, 5 OR 10 Gbit/S ETHERNET
1	TX +	BI_DA +
2	TX -	BI_DA -
3	NOT USED	GND
4	NOT USED	BI_DC +
5	NOT USED	BI_DC -
6	RX +	BI_DB +
7	RX -	BI_DB -
8	NOT USED	GND
9	NOT USED	BI_DD +
10	NOT USED	BI_DD -



UNLESS SPECIFIED OTHERWISE	DRAWN	J.BRAR	FEB24/20
PRIMARY UNITS MILLIMETERS	CHECKED	K.LAMBIE	FEB25/20
SECONDARY INCHES	M.E. APP'D		
REFERENCE IN PARENTHESES	Q.A. APP'D		
GENERAL TOLERANCES	DWG APPR.		
1 DECIMAL PLACE	ENG. REL. NO.	EAR 14806	
2 DECIMAL PLACES	REF.		
3 DECIMAL PLACES	THIRD ANGLE PROJECTION		
ANGULAR DEGREES	DO NOT SCALE DRAWING		

Amphenol Canada Corp.
 Commercial Products

IX INDUSTRIAL CONNECTOR,
 10 POSITION RIGHT ANGLE FLAG STYLE,
 SMT TERMINATION, CAT 6A HIGH SPEED
 PERFORMANCE, RoHS COMPLIANT

DWG. NO. **P-ND9-BS1X-00** REV **C**

CODE ID NO. 03554 DWG SIZE: X SCALE: 10:1 SHEET 2 OF 2