

RoHS Compliant

**CS1103**

Surface Mount Tactile

## Specifications

Electrical Ratings	50mA @ 48VDC
Electrical Life	100,000 cycles typical
Contact Resistance	<50mΩ initial
Actuation Force	180 ± 50gF 260 ± 50gF

Actuator Travel	.30 ± .15mm
Dielectric Strength	1000Vrms min
Insulation Resistance	>100MΩ min
Operating Temperature	-40°C to 85°C
Storage Temperature	-40°C to 85°C

## Materials

Actuator	PA 6T Arlen, UL94V HB
Housing	PA 6T Arlen, UL94V HB
Cover	Steel, Tin Plated
Contacts	Phosphor Bronze, Silver Plated
Terminals	Brass, Silver Plated

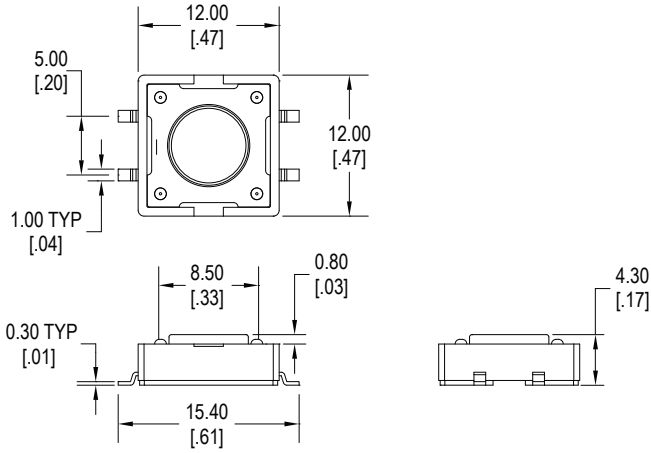
## Ordering Information

1. Series	CS1103	T	F180	R
CS1103				
2. Actuator Options				
4.3				
7.5				
G				
T				
4. Actuation Force				
F180 = 180gF				
F260 = 260gF				
5. Packaging				
R = Tape & Reel				

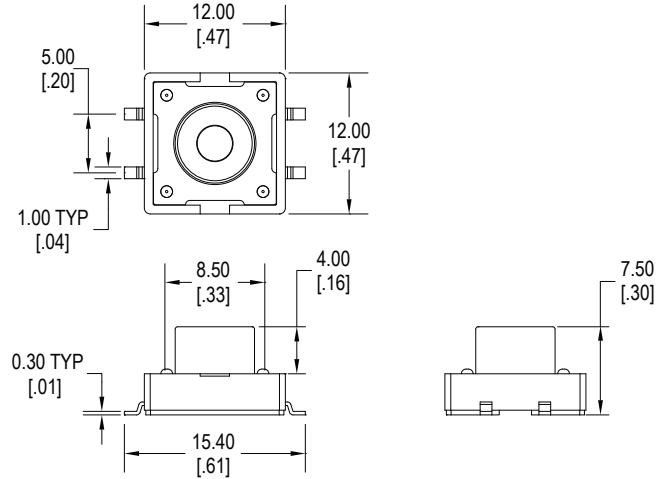
# CS1103

Surface Mount Tactile

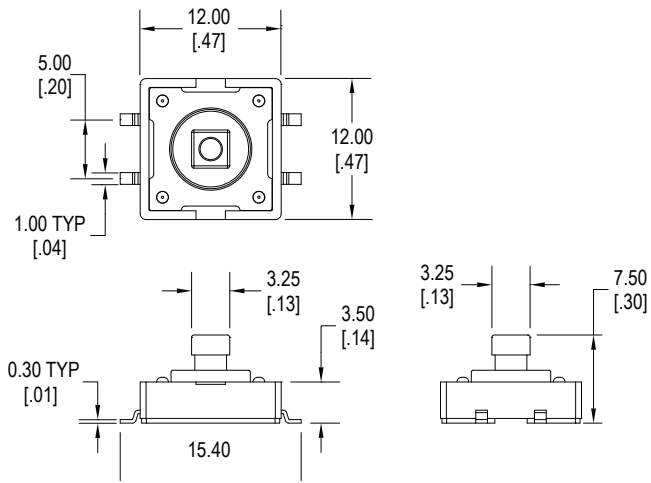
## Dimensions



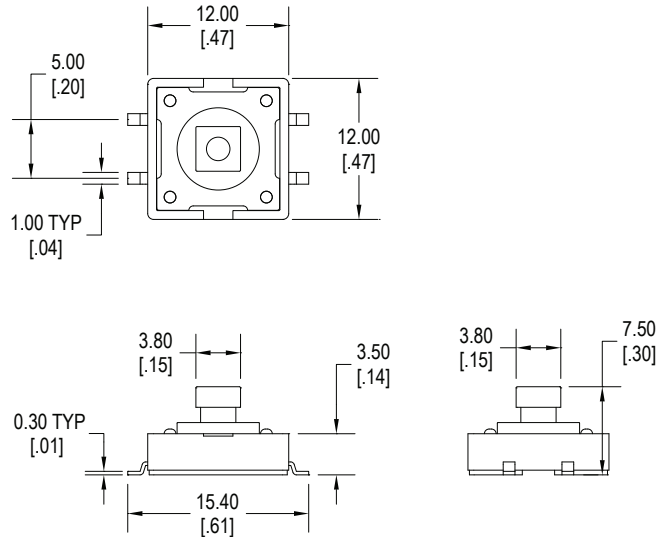
**4.3 Actuator Length**



**7.5 Actuator Length**



**G Actuator**



**T Actuator**

## Schematic & PC Layout

