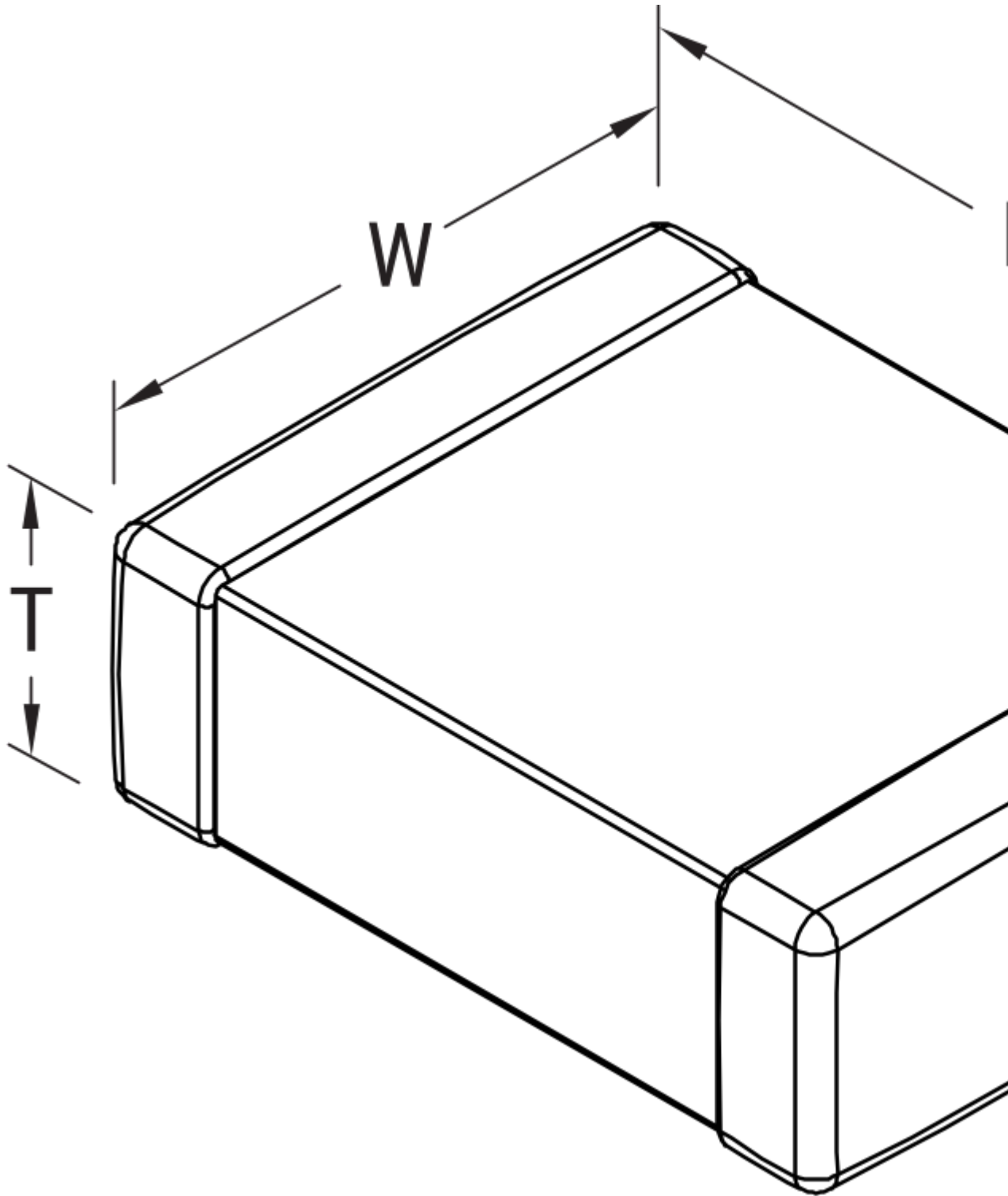


# C1206C825K9RAC7210

SMD Comm X7R, Ceramic, 8.2 uF, 10%, 6.3 VDC, X7R, SMD, MLCC, Temperature Stable, Class II, 1206



Click [here](#) for the 3D model.

## Dimensions

Chip Size 1206

L	3.2mm +/-0.2mm
W	1.6mm +/-0.2mm
T	1.6mm +/-0.20mm
B	0.5mm +/-0.25mm

### Packaging Specifications

Packaging T&R, 330mm, Plastic Tape

Packaging Quantity 8000

### General Information

Series SMD Comm X7R

Style SMD Chip

Description SMD, MLCC, Temperature Stable, Class II

Features Temperature Stable, Class II

RoHS Yes

Termination Tin

Marking No

AEC-Q200 No

Component Weight 41 mg

Shelf Life 78 Weeks

MSL 1

### Specifications

Capacitance 8.2 uF

Measurement Condition 1 kHz 1.0Vrms

Capacitance Tolerance 10%

Voltage DC 6.3 VDC

Dielectric Withstanding Voltage 15.75 VDC

Temperature Range -55/+125°C

Temperature Coefficient X7R

Capacitance Change with Reference to +25°C and 0 VDC Applied (TCC) 15%, 1kHz 1.0Vrms

Dissipation Factor 5% 1 kHz 1.0Vrms

Aging Rate 3% Loss/Decade Hour: Referee Time is 1000 Hours

Insulation Resistance 12.2 MOhms

Statements of suitability for certain applications are based on our knowledge of typical operating conditions for such applications, but are not intended to constitute - and we specifically disclaim - any warranty concerning suitability for a specific customer application or use. This Information is intended for use only by customers who have the requisite experience and capability to determine the correct products for their application. Any technical advice inferred from this Information or otherwise provided by us with reference to the use of our products is given gratis, and we assume no obligation or liability for the advice given or results obtained.

Generated 5/18/2023 - aa360e6c-9828-4561-982a-0478cb8cc159

© 2006 - 2023 KEMET

Generated 5/18/2023 - aa360e6c-9828-4561-982a-0478cb8cc159

© 2006 - 2023 KEMET