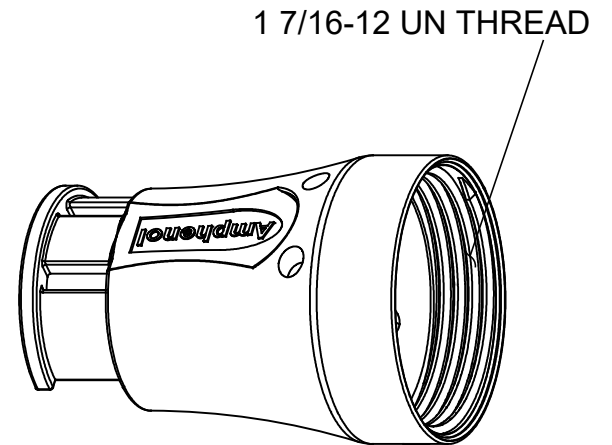
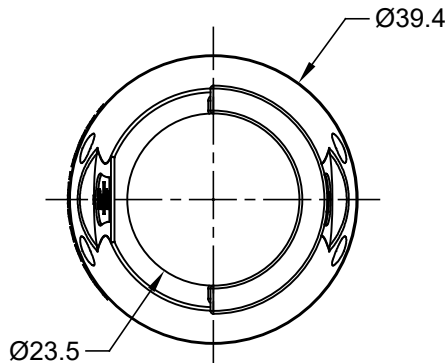
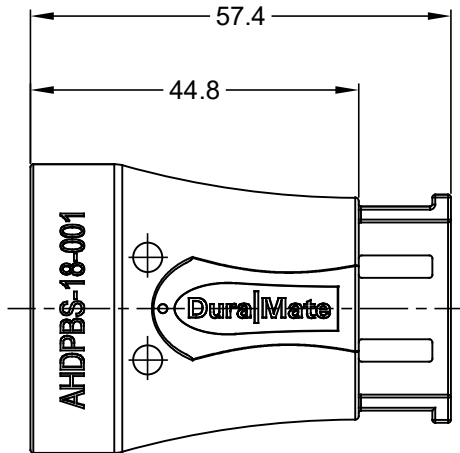


REVISIONS					
REV	ECO	DESCRIPTION	DATE	BY	APPR
A1		RELEASE NEW PRODUCT	13APR17	ORION	TOMMY



NOTES: UNLESS OTHERWISE SPECIFIED

1. MATERIAL: THERMOPLASTIC
2. COLORS: BLACK
3. RoHS COMPLIANT
4. USE WITH AHDP SERIES WTA MODIFICATION
5. ALL DIMENSIONS ARE FOR REFERENCE USE ONLY.

AHPBS-18-001					
PART NUMBER		DESCRIPTION		ITEM	
QUANTITY	MATERIALS LIST				
<b>UNLESS OTHERWISE SPECIFIED</b> 1) All dimensions are in metric (mm). 2) Tolerances are as follows: 1 PL DEC $\pm 0.30$ 2 PL DEC $\pm 0.15$ 3 PL DEC $\pm 0.08$ Fractions $\pm 1/64$ Angles $\pm 1^\circ$ 3) Note reference =		<b>SIGNATURES</b> DRAWN: Jony CHECKED: Orion ENGINEER: APPROVAL: Tommy		<b>DATE</b> 13APR17 13APR17 13APR17	
MATERIAL SPECIFICATIONS:		CUSTOMER:		<b>Amphenol</b> Sine Systems - www.amphenol-sine.com 44724 Morley Drive Clinton Township, MI 48036	
PROCESS SPECIFICATIONS:		THIS DRAWING IS SUPPLIED FOR INFORMATION ONLY. DESIGN FEATURES, SPECIFICATIONS AND PERFORMANCE DATA SHOWN HEREON ARE THE PROPERTY OF THE AMPHENOL CORPORATION. NO RIGHTS OF REPRODUCTION ARE IMPLIED. ALL DIMENSIONS ARE SUBJECT TO NORMAL MANUFACTURING VARIATIONS.			
NEXT ASSY:		SIZE	TYPE	DWG NO:	REVISION
		A	C-	AHPBS-18-001	A1
		SCALE: NONE		SHEET 1 OF 1	