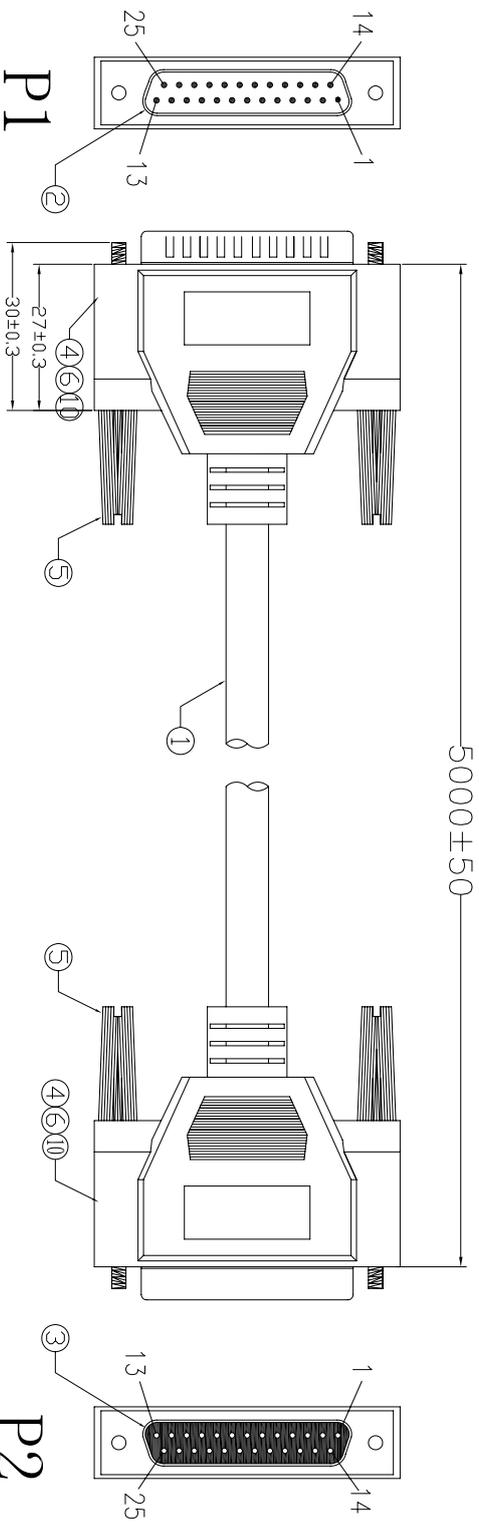
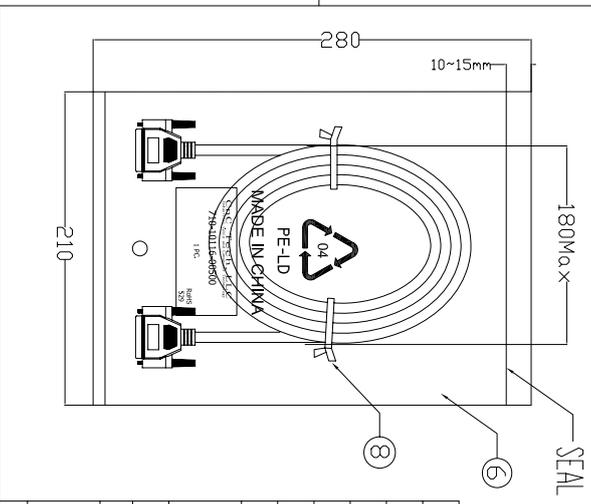


Units: mm



**Electrical test:**  
 1. 100% short open, miswire test  
 2. Conduct resistance: 5 Ohm(max)  
 3. Insulation resistance: 10Mohm(min)  
 4. dielectric test: DC 300V



⑩	COPPER FOIL	2	COPPER FOIL W32mm*1.100mm
⑨	TIE	2	WHITE L=200mm
⑧	PE BAG	1/5	CLEAR SIZE: 360*380*0.05mm PRINT BLACK"MADE IN CHINA"+"SPCS"及印生产日期,有透气孔.
⑦	PE BAG	1	CLEAR SIZE: 210*280*0.05mm PRINT BLACK"MADE IN CHINA"+"IPC"及印生产日期,有透气孔.
⑥	TUBE	2	HEAT SHRINK TUBE BLACK OD1.5*20MM
⑤	SCREW	4	#4-40UNC TYPE L=30mm,NICKEL PLATED,MOLD:BEIGE(V-29) ABS
④	IN JACKET	18g	CLEAR LD-PE (Mould NO:NM-33)
③	CONN	1	DB 25P FEMALE SODER TYPE PIN G/F SHELL NI-PLATED INSULATOR COLOR:BLUE
②	CONN	1	DB 25P MALE SODER TYPE PIN G/F SHELL NI-PLATED INSULATOR COLOR:BLUE
①	CABLE	1	UL20276 28AWG(7/0.12TC)*18F+D(26AWGTG)+AL/NY+BRAID(85%) 007.5mm JACKET:BEIGE(V-29) L=5000±20mm.

DRAWN BY		ZHONGHS	DRAWING NO.	
CHECKED BY			CUSTOMER	
APPROVAL BY			ITEM NO.	
DECIDE BY			DATE	
VERSIONS/EDITION		A/0	PROJECTION	

PIN ASSIGNMENT			
P1	P2		
1	棕	1	棕
18	棕/黑	18	棕/黑
2	红	2	红
19	红/黑	19	红/黑
3	橙	3	橙
19	橙/黑	19	橙/黑
4	黄	4	黄
20	黄/黑	20	黄/黑
5	绿	5	绿
20	绿/黑	20	绿/黑
6	蓝	6	蓝
21	蓝/黑	21	蓝/黑
7	紫	7	紫
21	紫/黑	21	紫/黑
8	白	8	白
22	白/黑	22	白/黑
9	粉红	9	粉红
22	粉红/黑	22	粉红/黑
10	棕/白	10	棕/白
24	红/白	24	红/白
11	橙/白	11	橙/白
23	黄/白	23	黄/白
12	绿/白	12	绿/白
24	蓝/白	12	蓝/白
13	紫/白	13	紫/白
24	浅灰/白	13	浅灰/白
14	红/棕	14	红/棕
25	黄/棕	14	黄/棕
16	橙/棕	16	橙/棕
25	绿/棕	16	绿/棕
15	蓝/棕	15	蓝/棕
23	紫/棕	15	紫/棕
17	棕/红	17	棕/红
25	浅灰/红	17	浅灰/红
	DRAIN+BRAID	17	DRAIN+BRAID
	SHELL	25	SHELL

**Cnc Tech, LLC**  
 Industrial Cable and Connector Technology

4 3 2 1