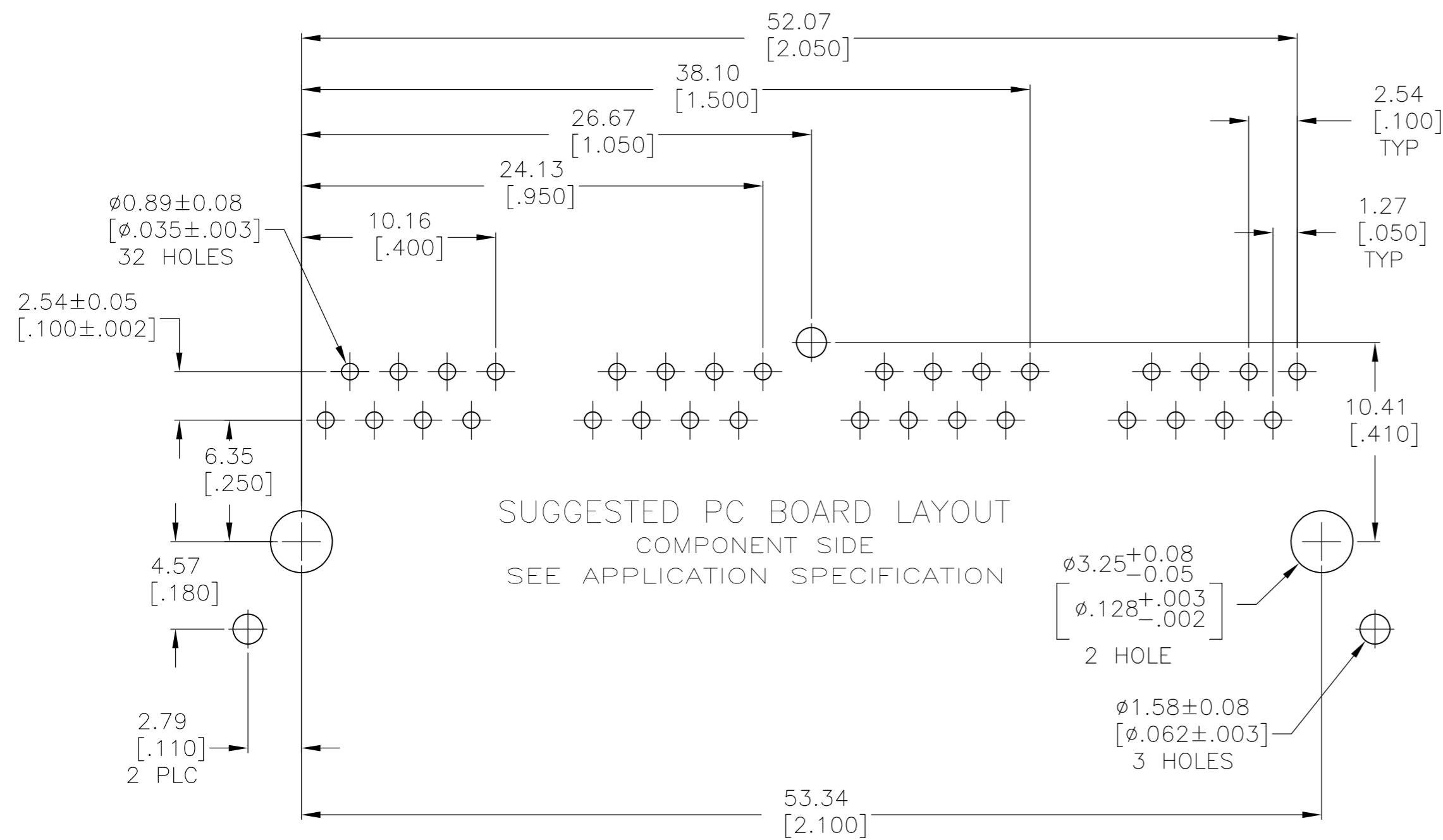
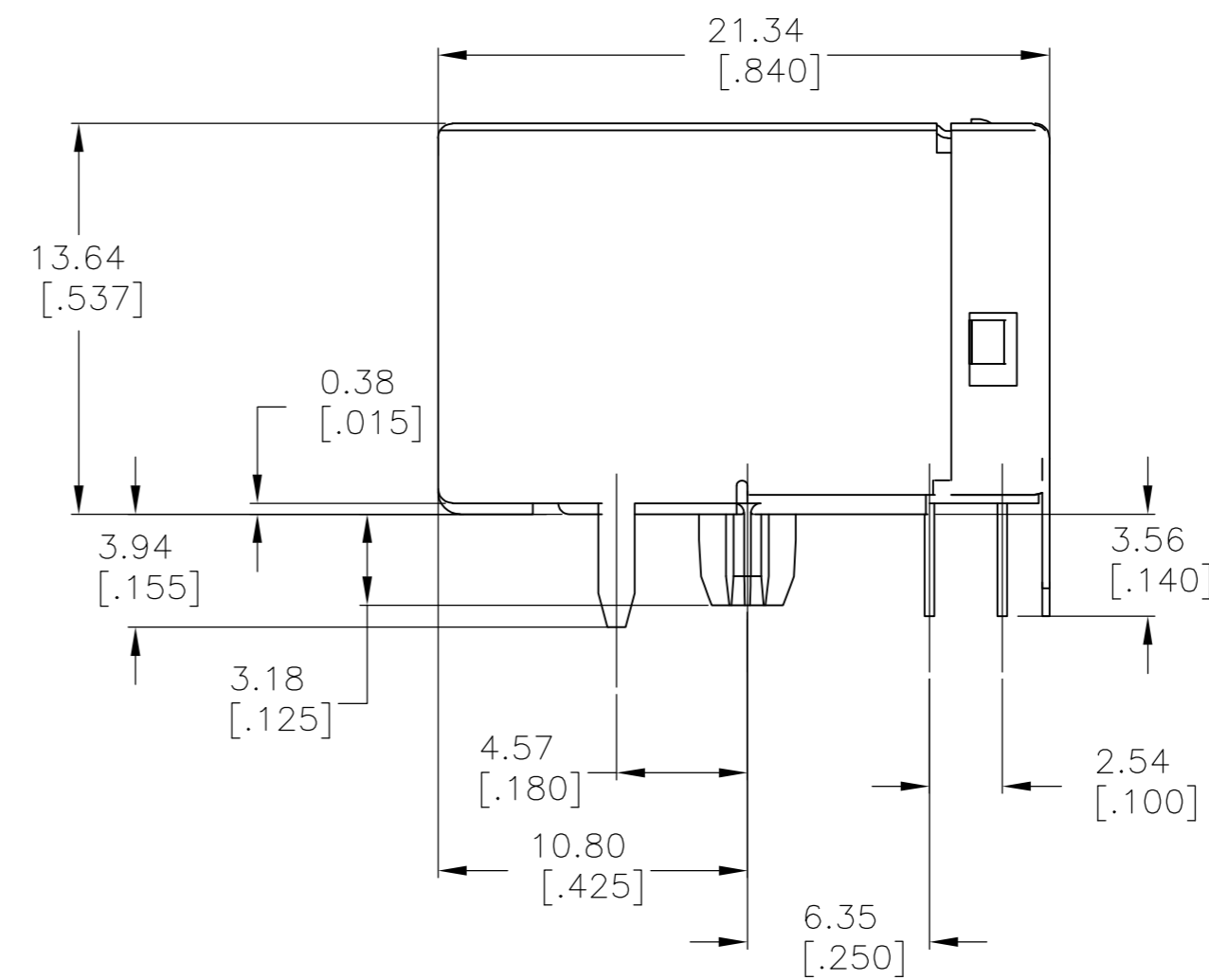
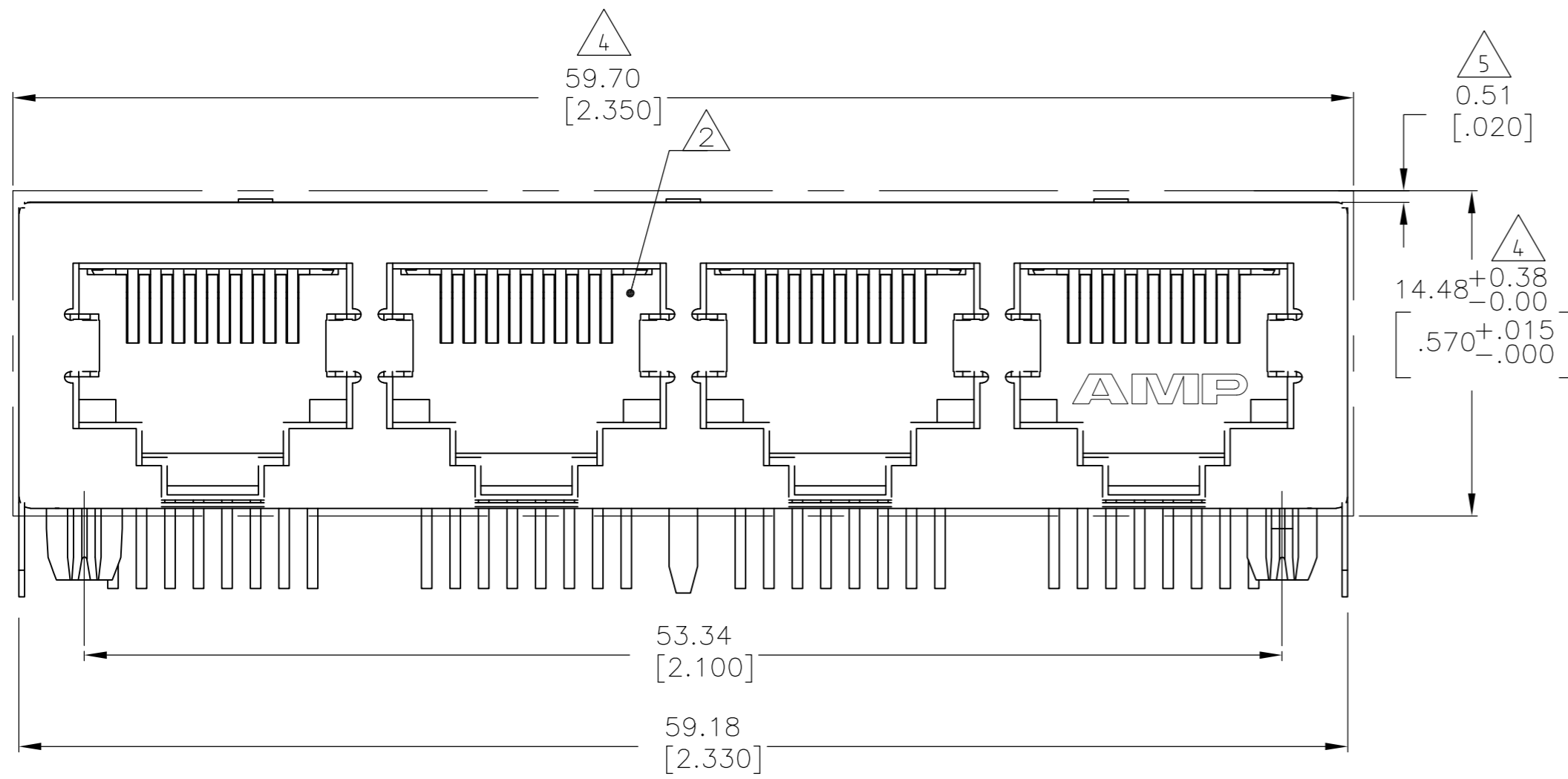


REVISIONS				
P	LTR	DESCRIPTION	DATE	APVD
E		ECO-16-005833	15APR2016	LL SH



- MATERIAL: HOUSING- HIGH TEMPERATURE NYLON, BLACK, IR COMPATIBLE, UL 94V-0.
 TERMINALS - 0.33 [.013] THICK PHOS BRONZE PLATED WITH 1.27um [.000050] MINIMUM HARD GOLD IN LOCALIZED AREA AND 3.81um [.000150] MINIMUM TIN IN SOLDER AREA OVER 1.27um [.000050] MINIMUM NICKEL UNDERPLATE

SHIELDS - 0.25 [.010] THICK COPPER ALLOY PLATED WITH 1.27 um [.000050] MINIMUM NICKEL AND 2.03 um [.000080] MINIMUM HOT TIN DIP ON PCB GROUND TABS.

- JACK CAVITY CONFORMS TO FCC RULES AND REGULATIONS, PART 68 SUBPART F.
- CAUTION: CATEGORY 5E JACK SOLDER TAIL POSITIONS DO NOT FOLLOW SAME NUMBER SEQUENCE AS THAT OF THE TRADITIONAL JACKS.
- SUGGESTED PANEL OPENING DIMENSIONS
- SUGGESTED CLEARANCE BETWEEN TOP OF CONNECTOR AND TOP PANEL OPENING



5558503-1
PART NUMBER

THIS DRAWING IS A CONTROLLED DOCUMENT.		DWN W. LONG/L.A.MAYER 04NOV2006	TE Connectivity	
DIMENSIONS: mm [INCHES]		CHK J.WESTMAN 04NOV2006		
TOLERANCES UNLESS OTHERWISE SPECIFIED:		APVD S.FLICKINGER 04NOV2006	NAME MOD JACK ASSY, 4P, 8 POSN, RT, CAT 5E, PCB GND SHLD	
0 PLC ± - 1 PLC ± - 2 PLC ± 0.25 [.010] 3 PLC ± - 4 PLC ± - ANGLES ± - FINISH SEE NOTE 1		PRODUCT SPEC 108-1163-2	SIZE A2	CAGE CODE 00779
MATERIAL SEE NOTE 1		APPLICATION SPEC 114-2048	DRAWING NO C=5558503	RESTRICTED TO -
		WEIGHT 0	SCALE 4:1	SHEET 1 OF 1
		CUSTOMER DRAWING	REV E	