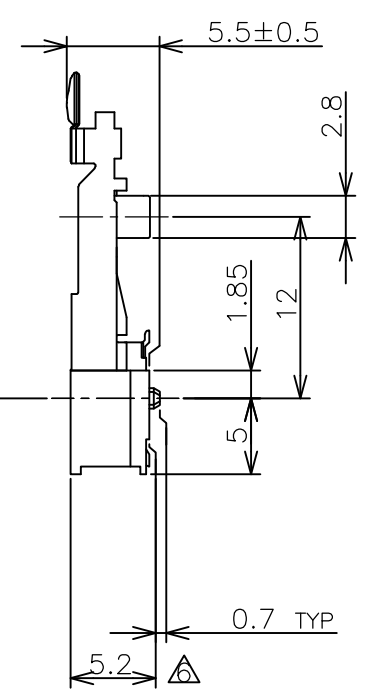
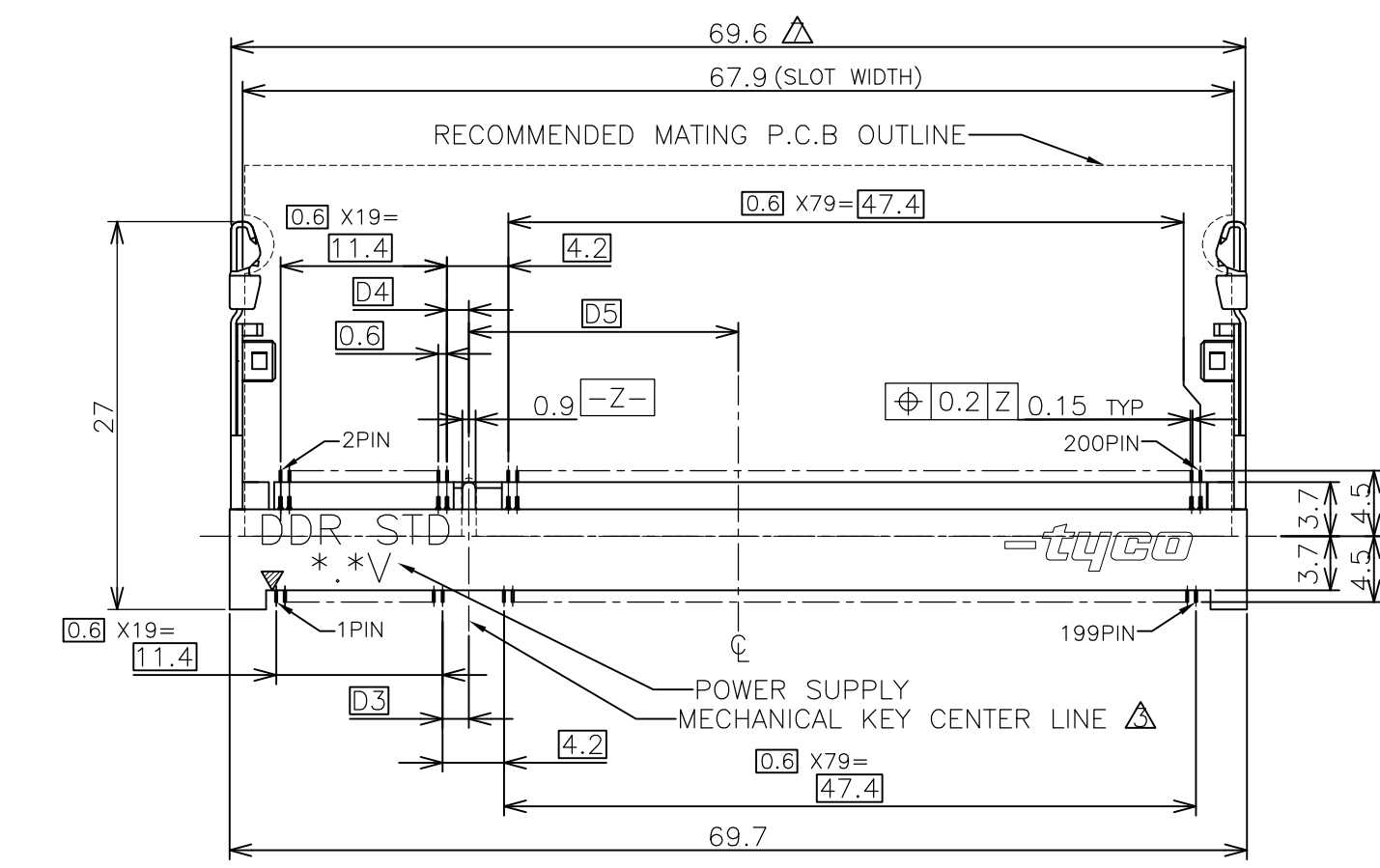
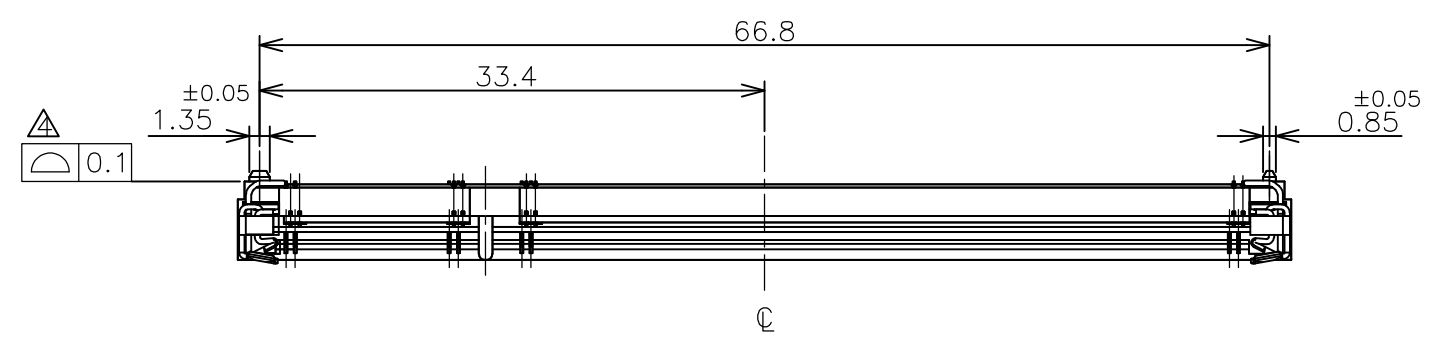
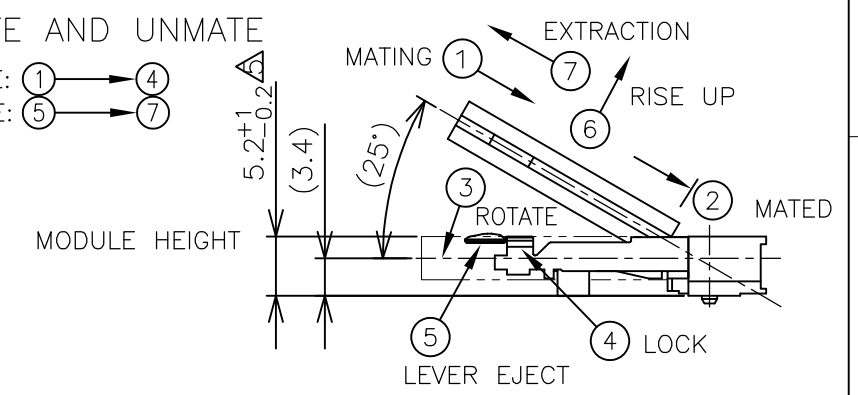
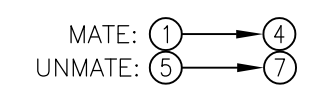


THIS DRAWING IS UNPUBLISHED. RELEASED FOR PUBLICATION MAR, 2007.  
 © COPYRIGHT 2007 BY TYCO ELECTRONICS CORPORATION. ALL RIGHTS RESERVED.

LOC		DIST		REVISIONS		
P	LTR	DESCRIPTION	DATE	DWN	APVD	
	C	REVISED	22APR15	B.W	C.W	



HOW TO MATE AND UNMATE



(APPLIED TO SHEET 1-2)

- MATERIAL ; HOUSING: HIGH TEMPERATURE THERMO PLASTIC UL94V-0  
CONTACT: COPPER ARROY  
LOCK LEVER: STAINLESS STEEL
  - FINISH ; CONTACT AREA: GOLD PLATING 0.00076MIN ON ALL OVER NICKEL.  
SOLDERING AREA: GOLD FLASH PLT.  
LOCK LEVER: TIN PLATING.
- MECHANICAL KEY POSITION OF CONNECTOR SEE TABLE.
  - COPLANARITY : 0.1 MAX.
  - THE FLOATING VALUE BY SOLDERING IS NOT INCLUDED.
  - NOT MATING CONDITION.
  - IN CASE OF MODULE BOARD LOCK AND EJECT, LATCH MAXIMUM WIDTH: 75mm.
  - TOLERANCES NON-CUMULATIVE.
  - CARD GUIDE AND STRUT COMPONENT KEEP-OUT ZONE.
  - INSIDE MUST BE RESIST COAT EXCEPT SOLDER PATTERN.

1.8V (DDR2)	17.55	2.4	2.7	200	1981276-5
1.8V (DDR2)	17.55	2.4	2.7	200	1981276-4
POWER SUPPLY (TYPE)	D5	D4	D3	POS	PART NO.

THIS DRAWING IS A CONTROLLED DOCUMENT.

DIMENSIONS: MM	TOLERANCES UNLESS OTHERWISE SPECIFIED:
	0 PLC ±
	1 PLC ±
	2 PLC ±
	3 PLC ±
	4 PLC ±
	ANGLES ±
MATERIAL	FINISH

GENERAL TOLERANCE

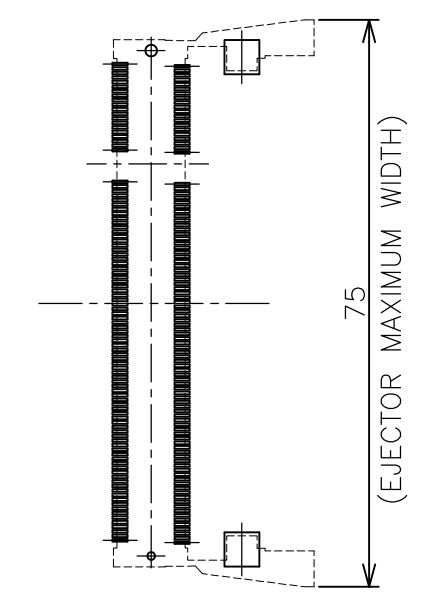
10 ≥	±0.2
30 ≥ > 10	±0.3
100 ≥ > 30	±0.5
ANGLES	±3°

DWN LEO ZHOU 07MAR07	Tyco Electronics Corporation Kawasaki, Japan	
CHK T.FUMIKURA 07MAR07	NAME DDR SODIMM SOCKET 0.6mm PITCH 200POS 5.2H STD TYPE TO FIT AMC APPLICATIONS	
APVD K.IKEGAMI 07MAR07	SIZE A3	CAGE CODE 00779
PRODUCT SPEC 108-5701	DRAWING NO C-1981276	RESTRICTED TO
APPLICATION SPEC	WEIGHT 4.7g	SCALE 2:1
CUSTOMER DRAWING	SHEET 1 OF 5	REV C

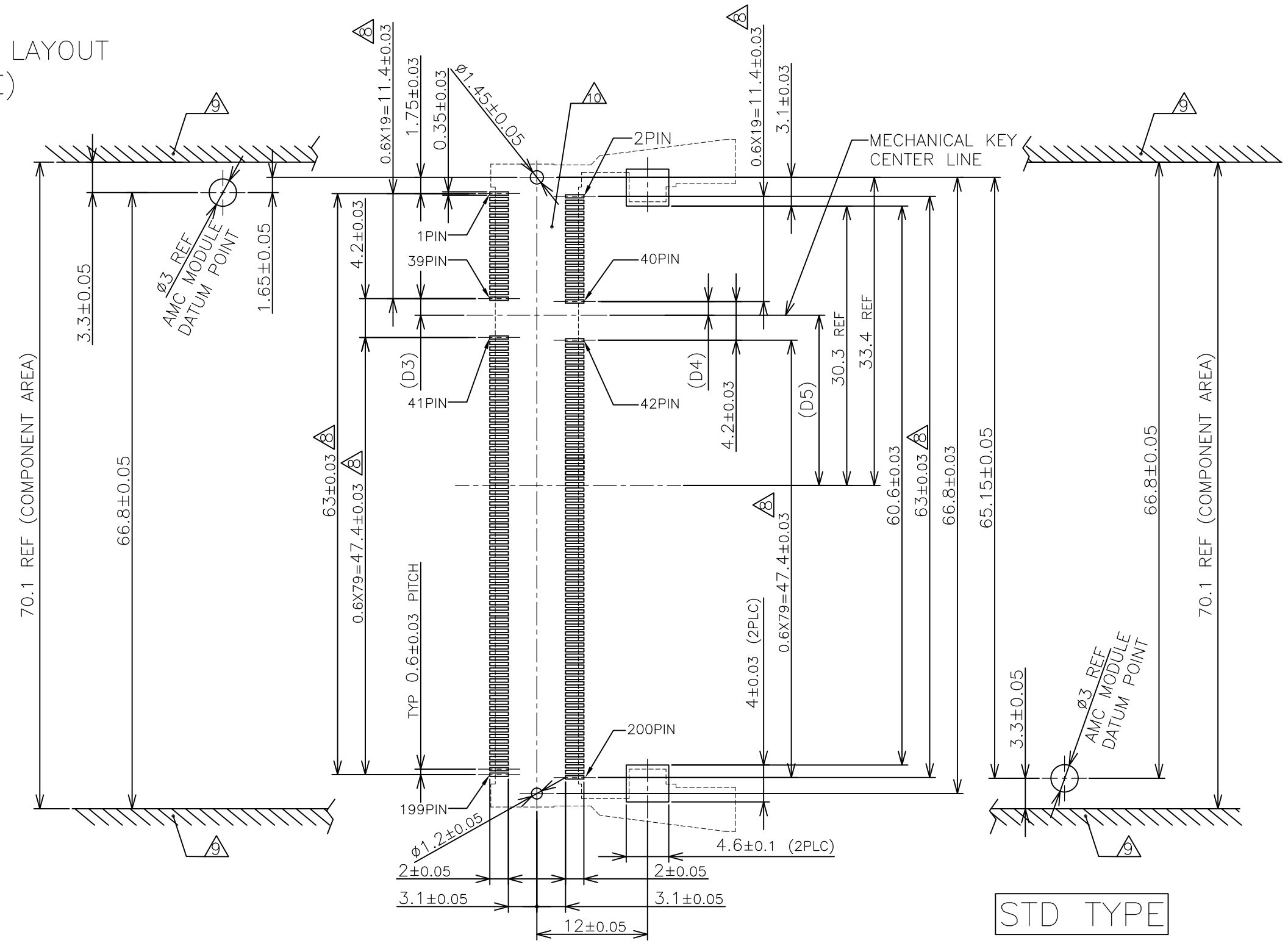
THIS DRAWING IS UNPUBLISHED. RELEASED FOR PUBLICATION MAR ,2007.  
 © COPYRIGHT 2007 BY TYCO ELECTRONICS CORPORATION. ALL RIGHTS RESERVED.

LOC	DIST	REVISIONS		
J		P	LTR	DESCRIPTION
				DATE
				DWN
				APVD
		SEE SHEET 1		

### REFERENCE P.C. BOARD PATTERN LAYOUT (CONNECTOR MOUNTING SIDE)



REAL SIZE (SCALE 1:1)

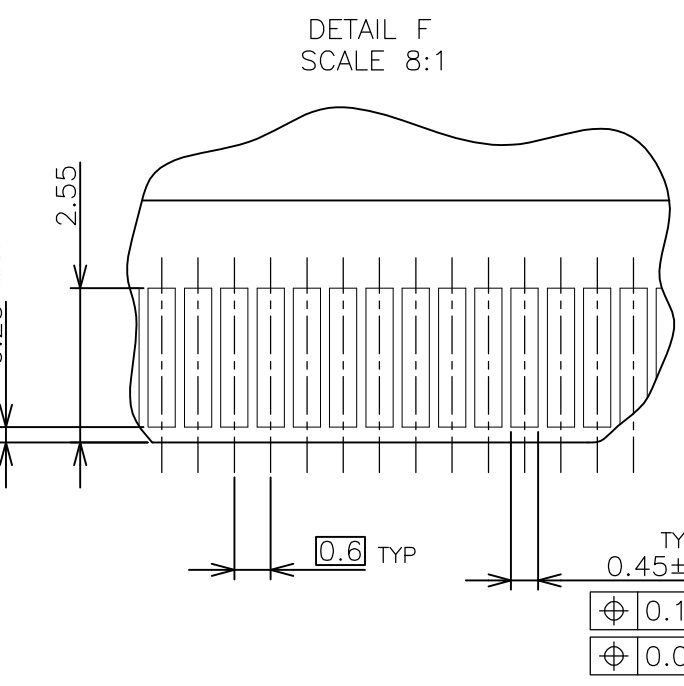
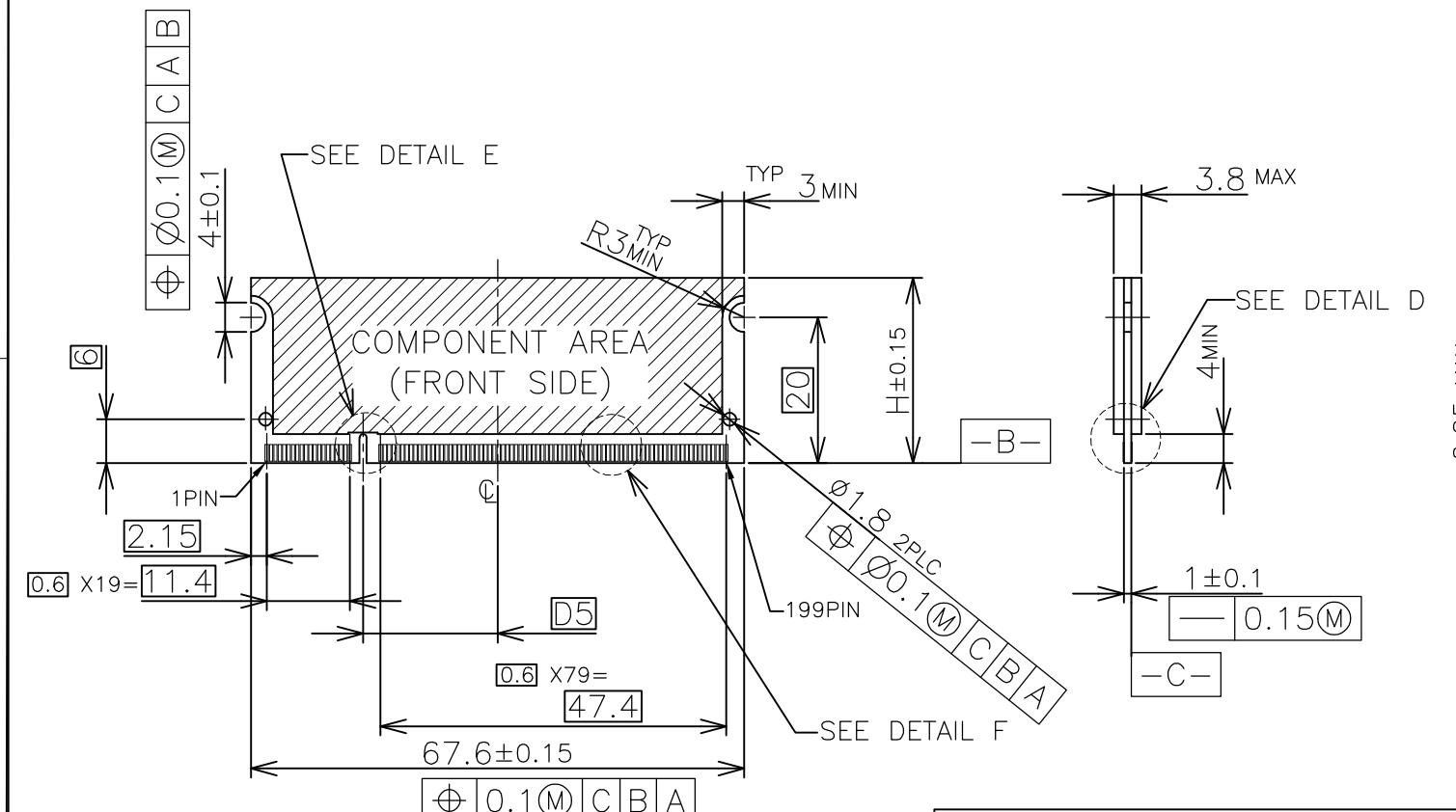


1.8V	17.55	2.4	2.7
POWER SUPPLY	D5	D4	D3

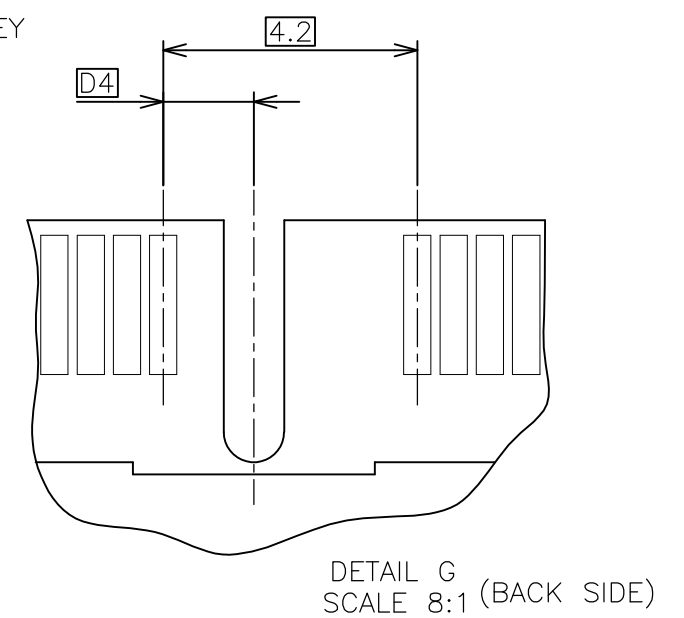
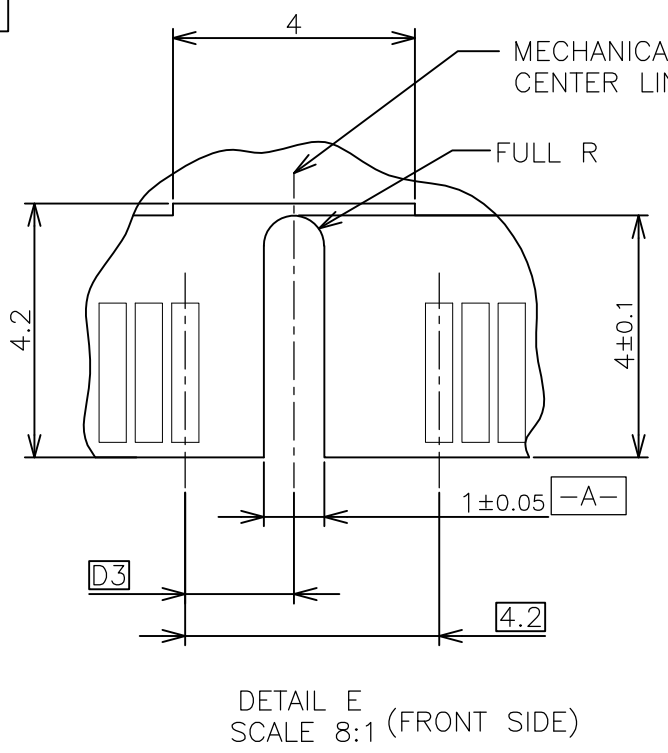
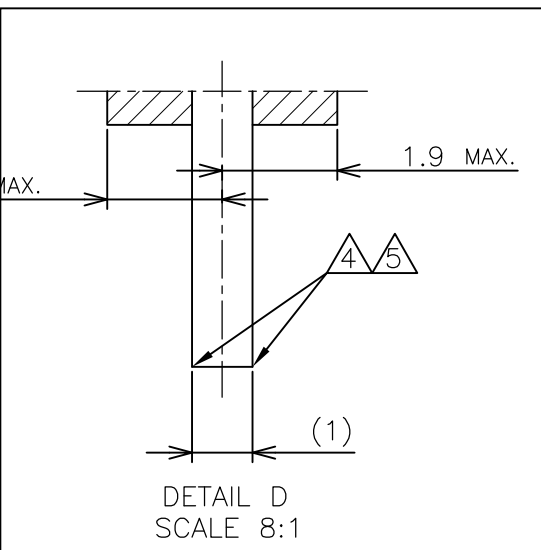
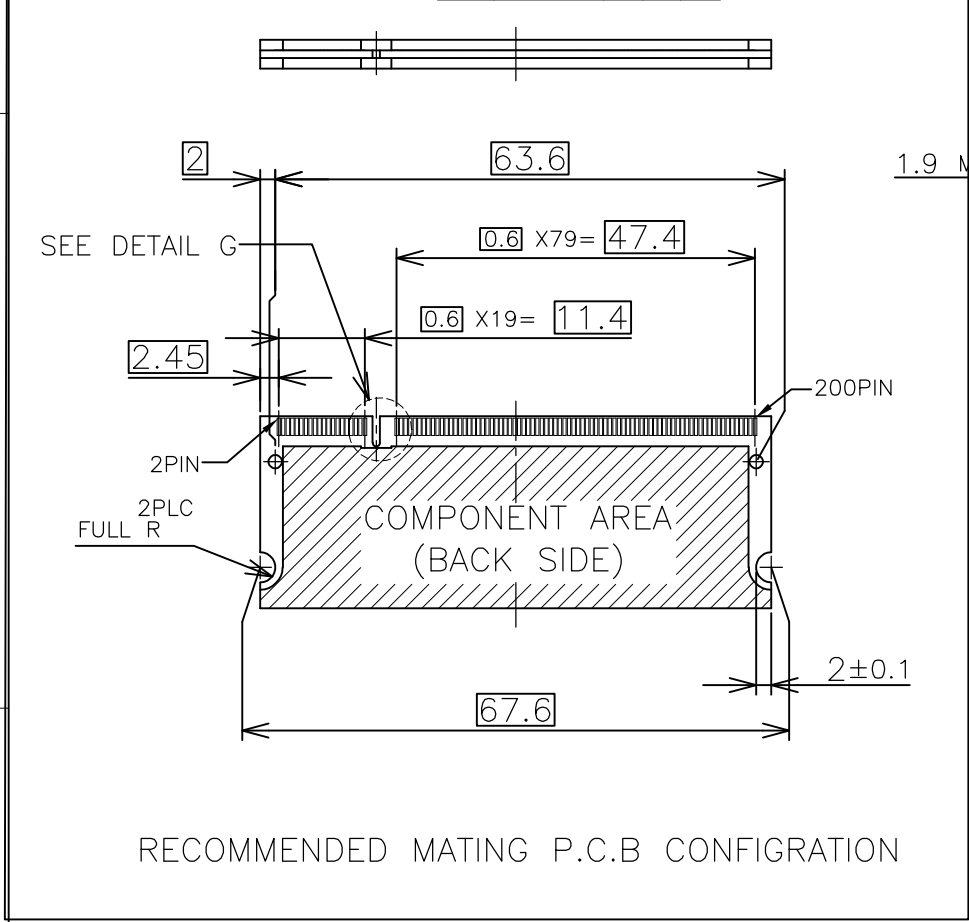
THIS DRAWING IS A CONTROLLED DOCUMENT.		DWN	Tyco Electronics		Tyco Electronics Corporation Kawasaki, Japan	
DIMENSIONS: MM		CHK	NAME			
TOLERANCES UNLESS OTHERWISE SPECIFIED:		APVD	DDR SODIMM SOCKET 0.6mm PITCH 200POS 5.2H STD TYPE TO FIT AMC APPLICATIONS			
0 PLC ±		PRODUCT SPEC	SIZE	CAGE CODE	DRAWING NO	RESTRICTED TO
1 PLC ±		APPLICATION SPEC	A3	00779	C-1981276	
2 PLC ±		WEIGHT	CUSTOMER DRAWING			
3 PLC ±			SCALE	SHEET	REV	
4 PLC ±			2:1	2 OF 5	C	
ANGLES ±						
FINISH						

THIS DRAWING IS UNPUBLISHED. RELEASED FOR PUBLICATION MAR ,2007.  
 © COPYRIGHT 2007 BY TYCO ELECTRONICS CORPORATION. ALL RIGHTS RESERVED.

LOC	DIST	REVISIONS		
J		P	LTR	DESCRIPTION
				DATE
				DWN
				APVD
		SEE SHEET 1		



- (APPLIED TO SHEET 3)
1. TOLERANCES ON ALL DIMENSIONS ±0.15 UNLESS OTHERWISE SPECIFIED.
  2. P.C. BOARD THICKNESS APPLIES ACROSS TABS AND INCLUDES PLATING AND/OR METALIZATION.
  3. FINISH OF PAD : GOLD PLATING 0.00076 MIN. OVER Ni PLATING 0.002MIN.
- NO BURR  
 CHAMFER 0.25 MAX x 45° IF EXIST.

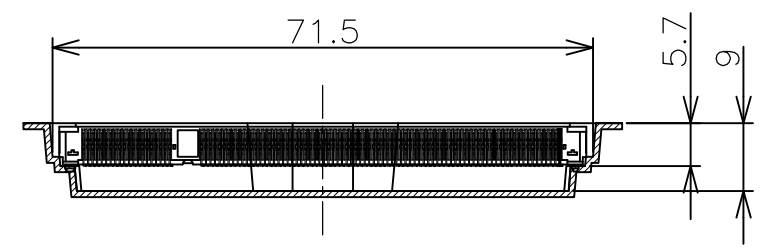
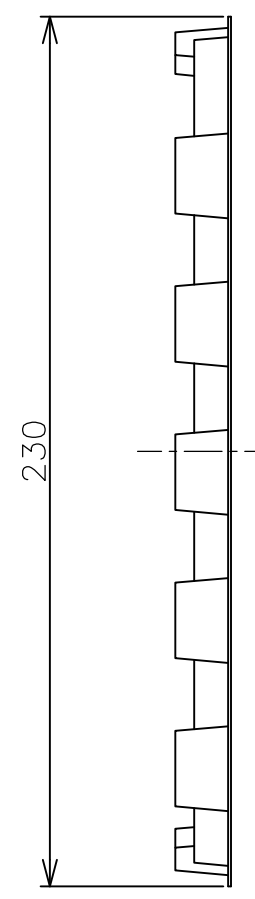
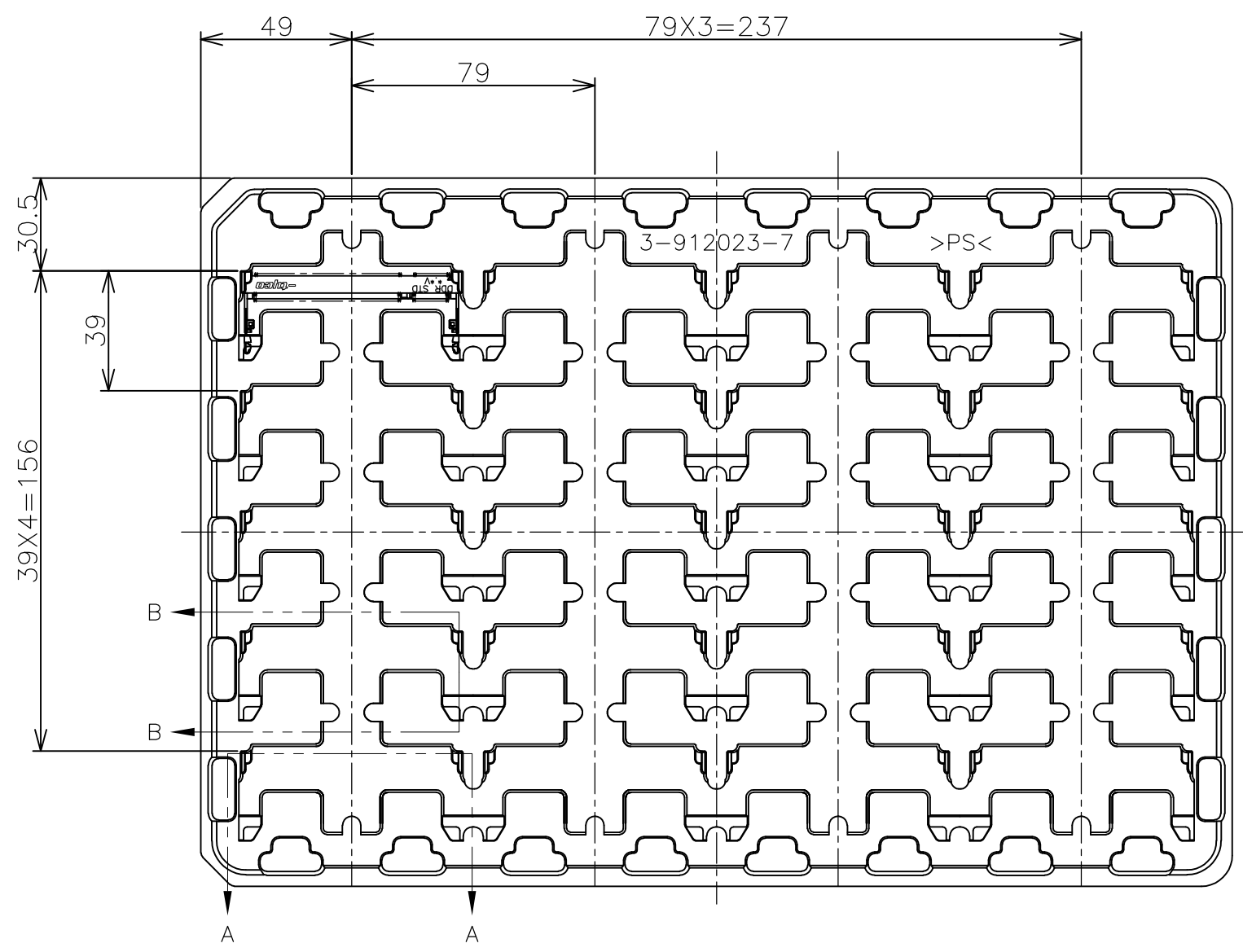


RECOMMENDED MATING P.C.B CONFIGURATION

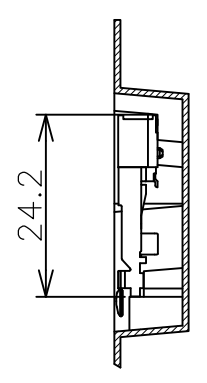
THIS DRAWING IS A CONTROLLED DOCUMENT.		DWN	31.75		
DIMENSIONS: MM		CHK	25.4		
TOLERANCES UNLESS OTHERWISE SPECIFIED:		APVD	H		
0 PLC	±	PRODUCT SPEC	1.8V	17.55	2.4
1 PLC	±	APPLICATION SPEC	POWER SUPPLY	D5	D4
2 PLC	±	WEIGHT			D3
3 PLC	±	Tyco Electronics Corporation Kawasaki, Japan			
4 PLC	±	NAME			
ANGLES	±	DDR SODIMM SOCKET 0.6mm PITCH 200POS 5.2H STD TYPE TO FIT AMC APPLICATIONS			
FINISH	±	SIZE	CAGE CODE	DRAWING NO	RESTRICTED TO
MATERIAL		A300779		C-1981276	
CUSTOMER DRAWING		SCALE	1:1	SHEET	3 OF 5
				REV	C

THIS DRAWING IS UNPUBLISHED. RELEASED FOR PUBLICATION MAR ,2007.  
 © COPYRIGHT 2007 BY TYCO ELECTRONICS CORPORATION. ALL RIGHTS RESERVED.

LOC	DIST	REVISIONS			
P	LTR	DESCRIPTION	DATE	DWN	APVD
J		SEE SHEET 1			

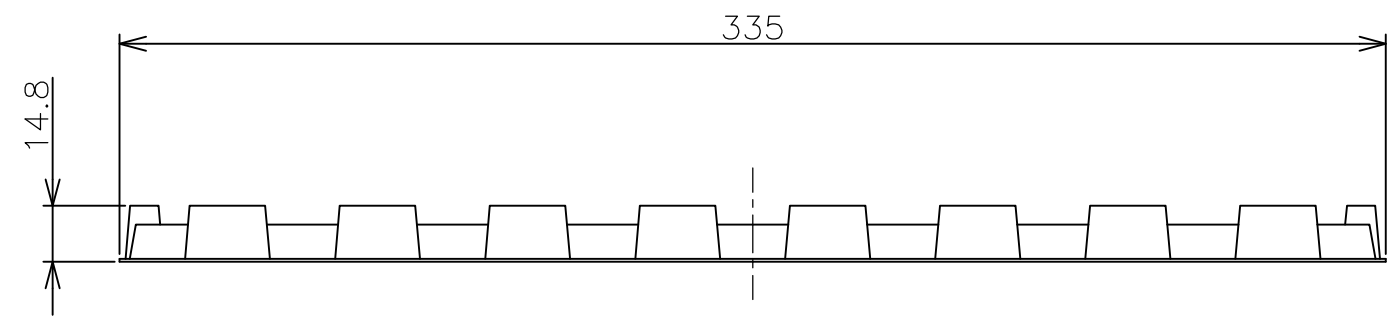


A-A  
SCALE 1:1  
(180DEG. ROTATE)



B-B  
SCALE 1:1

- (APPLIED TO SHEET 4)
1. THE DIRECTION OF EACH CONNECTOR ON A TRAY IS REFERRED TO THIS DRAWING.
  2. GENERAL TOLERANCE: ±0.5



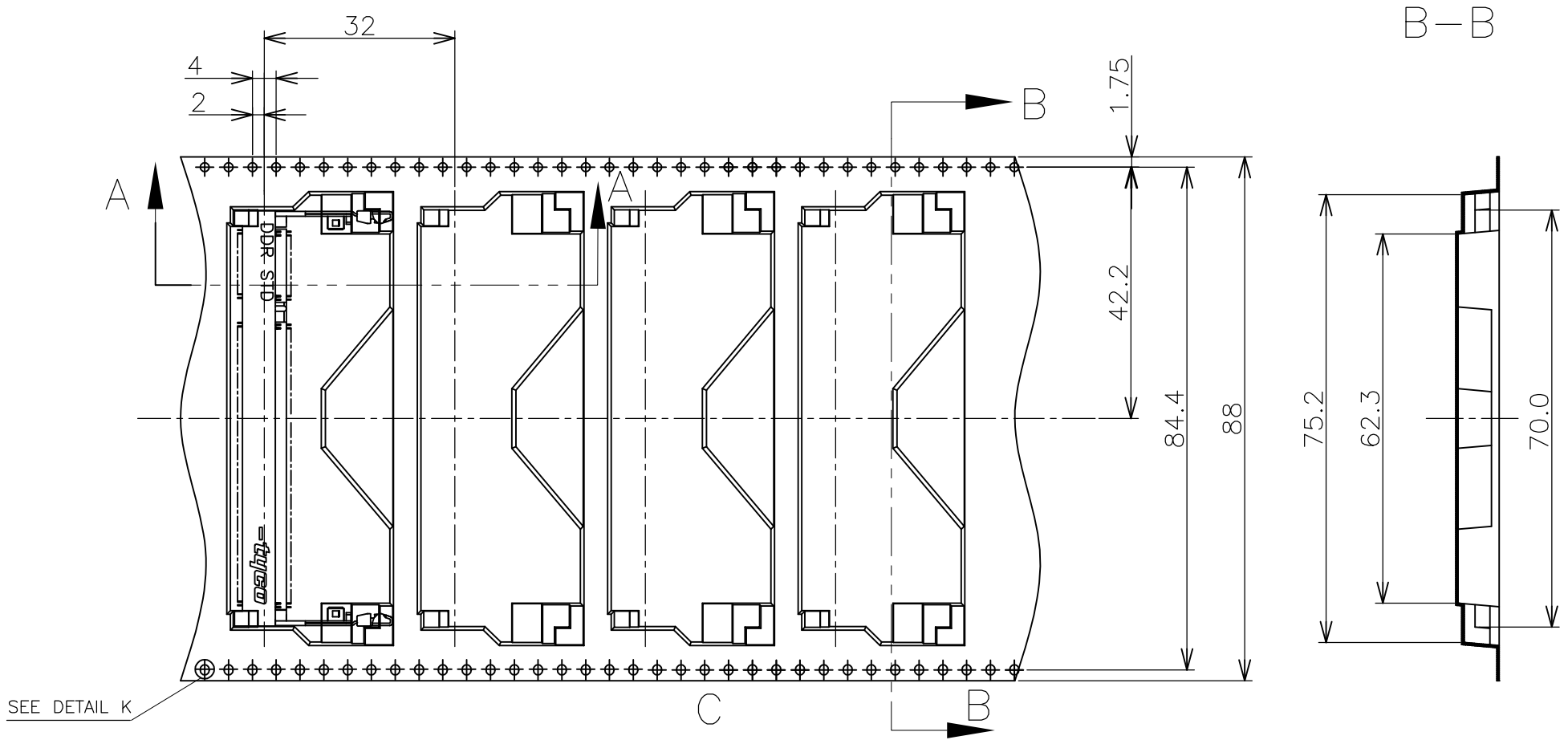
20EA/TRAY	1981276-4
QTY	P/N

THIS DRAWING IS A CONTROLLED DOCUMENT.		DWN	Tyco Electronics Corporation Kawasaki, Japan		
DIMENSIONS: MM		CHK			
TOLERANCES UNLESS OTHERWISE SPECIFIED:		APVD	NAME		
0 PLC ± 0.5		PRODUCT SPEC	DDR SODIMM SOCKET 0.6mm PITCH 200POS		
1 PLC ± 0.5		APPLICATION SPEC	5.2H STD TYPE		
2 PLC ± 0.5		WEIGHT	SIZE	CAGE CODE	DRAWING NO
3 PLC ± 0.5		CUSTOMER DRAWING	A3	00779	C-1981276
4 PLC ± 0.5			SCALE	SHEET	REV
ANGLES ± 3'			1:2	4 OF 5	C
FINISH					

THIS DRAWING IS UNPUBLISHED. RELEASED FOR PUBLICATION MAR ,2007.  
 © COPYRIGHT 2007 BY TYCO ELECTRONICS CORPORATION. ALL RIGHTS RESERVED.

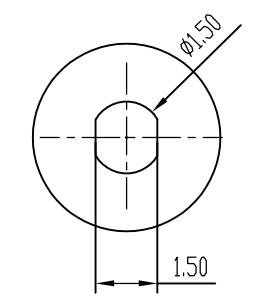
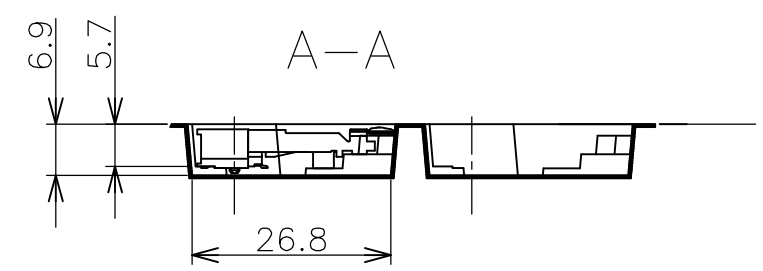
LOC	DIST	REVISIONS			
P	LTR	DESCRIPTION	DATE	DWN	APVD
J	/	SEE SHEET 1	-	-	-

USER FEED  
DIRECTION



SEE DETAIL K

- (APPLIED TO SHEET 5)
1. THE DIRECTION OF EACH CONNECTOR ON THE REEL IS REFERRED TO THIS DRAWING.
  2. GENERAL TOLERANCE: ±0.5



DETAIL K

120EA/REEL	1981276-5
QTY	P/N

THIS DRAWING IS A CONTROLLED DOCUMENT.		DWN	Tyco Electronics Corporation Kawasaki, Japan			
DIMENSIONS: MM		CHK				
TOLERANCES UNLESS OTHERWISE SPECIFIED: 0 PLC ± 0.5 1 PLC ± 0.5 2 PLC ± 0.5 3 PLC ± 0.5 4 PLC ± 0.5 ANGLES ± 3° FINISH		APVD	NAME			
MATERIAL		PRODUCT SPEC	DDR SODIMM SOCKET 0.6mm PITCH 200POS			
		APPLICATION SPEC	5.2H STD TYPE			
		WEIGHT	TO FIT AMC APPLICATIONS			
		CUSTOMER DRAWING	SIZE	CAGE CODE	DRAWING NO	RESTRICTED TO
			A3	00779	C-1981276	
			SCALE	SHEET	REV	
			1:2	5 OF 5	C	