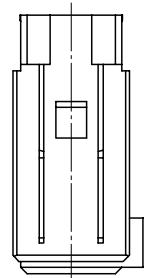
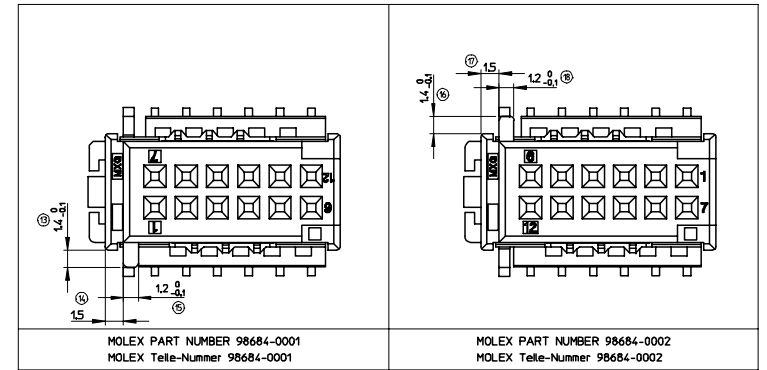
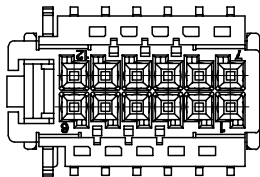


DELIVERY POSITION
Lieferposition



LOCKED POSITION
endverrastet



NOTES

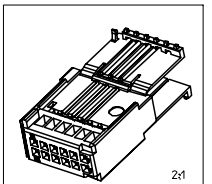
Bemerkungen

- 1- PARTS FITS INTO MASTER RECEPTACLE
ASSEMBLY P/N 98681-1001
Modul paßt in Most Aufnahmen
P/N 98681-1001
- 2- WEIGHT IS CALCULATED ONLY
Gewicht ist nur errechnet
- 3- DRAFT ANGLE INCLUDED IN THE TOLERANCE
AREA IF NOT DESCRIBED OTHER WISE
Entformungschrägen innerhalb des
Toleranzbereiches wenn nicht anders
beschrieben
- 4- NO SHARP OUTSIDE EDGES PERMITTED.
OUTSIDE EDGES HAVE TO BE ROUNDED OR
CHAMFERED
Keine scharfen Aussenkanten zulässig.
Außenkanten verrundet oder angefast.
- 5- RADII R0.3 WHEN NOT OTHERWISE
SPECIFIED
Radien R0.3 wenn nicht anders
spezifiziert
- 6- PART ARE SUITABLE FOR FEMALE TERMINAL
ACCORDING TO MOLEX-DRAWING NO.
SD-98658-004, 0.635 MOX.
WIRE SIZE MOLEX P/N
0.22 - 0.5mm2 98658 - 1213
0.22 - 0.6mm2 98658 - 1211
0.75mm2 98658 - 1212

Passend zu Buchsen Kontakt laut
Zeichnung Molex SD-98658-004, 0.635 MOX,
Beschreibung MOLEX Teile-Nr.,
0.22 - 0.5mm2 98658 - 1213
0.22 - 0.6mm2 98658 - 1211
0.75mm2 98658 - 1212
- 7- PARTS ARE SUITABLE FOR MOS FEMALE TERMINAL
DESCRIPTION TYCO P/N
MOS 0.14 - 0.22mm2 Sn 0-1355 717-1
MOS 0.2 - 0.5 mm2 Sn 0-928 999-1
MOS 0.75mm2 Sn 0-963 715-1

Passend zu MOS Buchsen Kontakt
Beschreibung TYCO Teile-Nr.
MOS 0.14 - 0.22mm2 Sn 0-1355 717-1
MOS 0.2 - 0.5 mm2 Sn 0-928 999-1
MOS 0.75mm2 Sn 0-963 715-1
- 8- MOLEX LOGO
- 9- TEXT HEIGHT FOR CIRCUIT
NUMBERING 0.8mm
Schrifthöhe für Stromkreis-
nummerierung 0,8mm
- 10- CAVITY NO.
Nest Nr.
- 11- AREA FOR TOOLING-REVISION.
Feld für Werkzeug-Revision
- 12- LAST INSPECTION NUMBER: 18
Letzte Massidentifikationsnummer: 18

MOLEX P/N MOLEX Teile-Nr.	MATERIAL/ Werkstoff	COLOUR/ Farbe	DESCRIPTION/ Beschreibung	WEIGHT/ Gewicht
98684-0001	PBT GF0%	BLACK/ schwarz	MOST MASTER 12 CKT 0.64 MOX MODULE CODE A	2.42g
98684-0002	PBT GF0%	NATURAL/ natur	MOST MASTER 12 CKT 0.64 MOX MODULE CODE B	2.39g



EC No. C2006-0491 2006/03/27 2006/03/27 2006/03/27 DRINKELUTZ CHEKOSFARAS APPR-JHDTER	QUALITY SYMBOLS 0 10	GENERAL TOLERANCES (UNLESS SPECIFIED)		DIMENSION STYLE MM ONLY		SCALE 5:1	DESIGN UNITS METRIC	FIRST ANGLE PROJECTION	
		4 PLACES ± --- ± --- 3 PLACES ± --- ± --- 2 PLACES ± 0.10 ± --- 1 PLACE ± 0.2 ± ---	INCH --- --- --- ---	DRAWN BY MMH DATE 2002/09/20	CHECKED BY SFARKAS DATE 2002/10/17	APPROVED BY DATE	TITLE MOST RCPT CONN MOX 0.64 12CKT	MOLEX MOLEX INCORPORATED	MATERIAL NO. SEE TABLE