

PLEASE CHECK WWW.MOLEX.COM FOR LATEST PART INFORMATION

Part Number: [0622018654](#)
Status: **Active**
Overview: [Application Tooling](#)
Description: Press-In Tool for 80A Right-Angle Plug

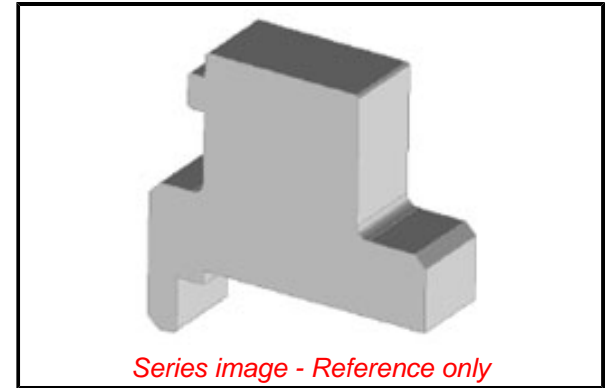
Documents:
[RoHS Certificate of Compliance \(PDF\)](#)

General

Product Family	Application Tooling
Series	207123
Comments	See Tooling Specification (PDF) Above, See Tooling Specification (PDF) Above
Function	Insertion
Geographic Area	Global
Level of Automation	Manual
More Detailed Tech Information	applicationtooling@molex.com
Overview	Application Tooling
Product Name	PremiumGrade
Tool Type	Press-Fit Insertion Tool
UPC	883906206444
Warranty Disclaimer	CAUTION: Molex tooling crimp specifications are valid only when used with Molex terminals and tooling manufactured by Molex and sold by Molex or authorized distributors ("Molex Tooling"). When using tooling other than Molex Tooling with Molex specific connector systems listed in our ATS documents, the Molex tooling qualification does not apply and the responsibility for full qualification of the connector system is that of the customer. Molex accepts no liability for connector performance or tooling support where tooling other than Molex Tooling is used or where Molex Tooling is modified.

Material Info

Reference - Drawing Numbers
[Application Tooling Documents](#) [ATS-622018654](#)



EU ELV

Not Reviewed

EU RoHS

Not Reviewed

REACH SVHC

Not Reviewed

Halogen-Free

Status

Not Reviewed

For more information, please visit [Contact US](#)

China ROHS

Not Reviewed

ELV

Not Reviewed

RoHS Phthalates

Not Reviewed

Search Parts in this Series

[207123 Series](#)

Use With

[EXTreme Power-Mass Right Angle Plug 75561](#)

Application Tooling | **FAQ**

Description	Product #
--------------------	------------------

Over Mold Assy, 80Amp Press-Fit Plug tin	755612000
--	---------------------------

OverMold Assy,80A Pres-Fit Plug tin/lead	755612001
--	---------------------------

EXTreme PowerMass 0.13mm Pitch, 80A per module, Right-Angle Plug, Lead-Free, Press Fit	755616000
--	---------------------------

EXTreme PowerMass 0.13mm Pitch, 80A per module, Right-Angle Plug, Press Fit	755616001
---	---------------------------

EXTreme PowerMass 0.13mm Pitch, 80A per module, Right-Angle Plug, Press Fit	755616001
---	---------------------------

EXTreme PowerMass 0.13mm Pitch, 80A per module, Right-Angle Plug, Press Fit	755616001
---	---------------------------

EXTreme PowerMass 0.13mm Pitch, 80A per module, Right-Angle Plug, Press Fit	755616001
---	---------------------------

EXTreme PowerMass 0.13mm Pitch, 80A per module, Right-Angle Plug, Press Fit	755616001
---	---------------------------

This document was generated on 03/26/2019

PLEASE CHECK WWW.MOLEX.COM FOR LATEST PART INFORMATION