

MODULAR JACK CHARACTERISTICS LEGEND

EXTERNAL CONNECTOR BODY DIMENSIONS: (SEE NOTES 8 AND 9)
 JACKS ARE AVAILABLE IN STANDARD 4, 6, AND 8 POSITION BODY SIZES

NUMBER OF CONTACT POSITIONS:
 CONNECTOR SIZE 4 CAN ACCOMMODATE 2 OR 4 TERMINALS;
 CONNECTOR SIZE 6 CAN ACCOMMODATE 2, 4, OR 6 TERMINALS;
 CONNECTOR SIZE 8 CAN ACCOMMODATE 2, 4, 6, 8, OR 10 TERMINALS

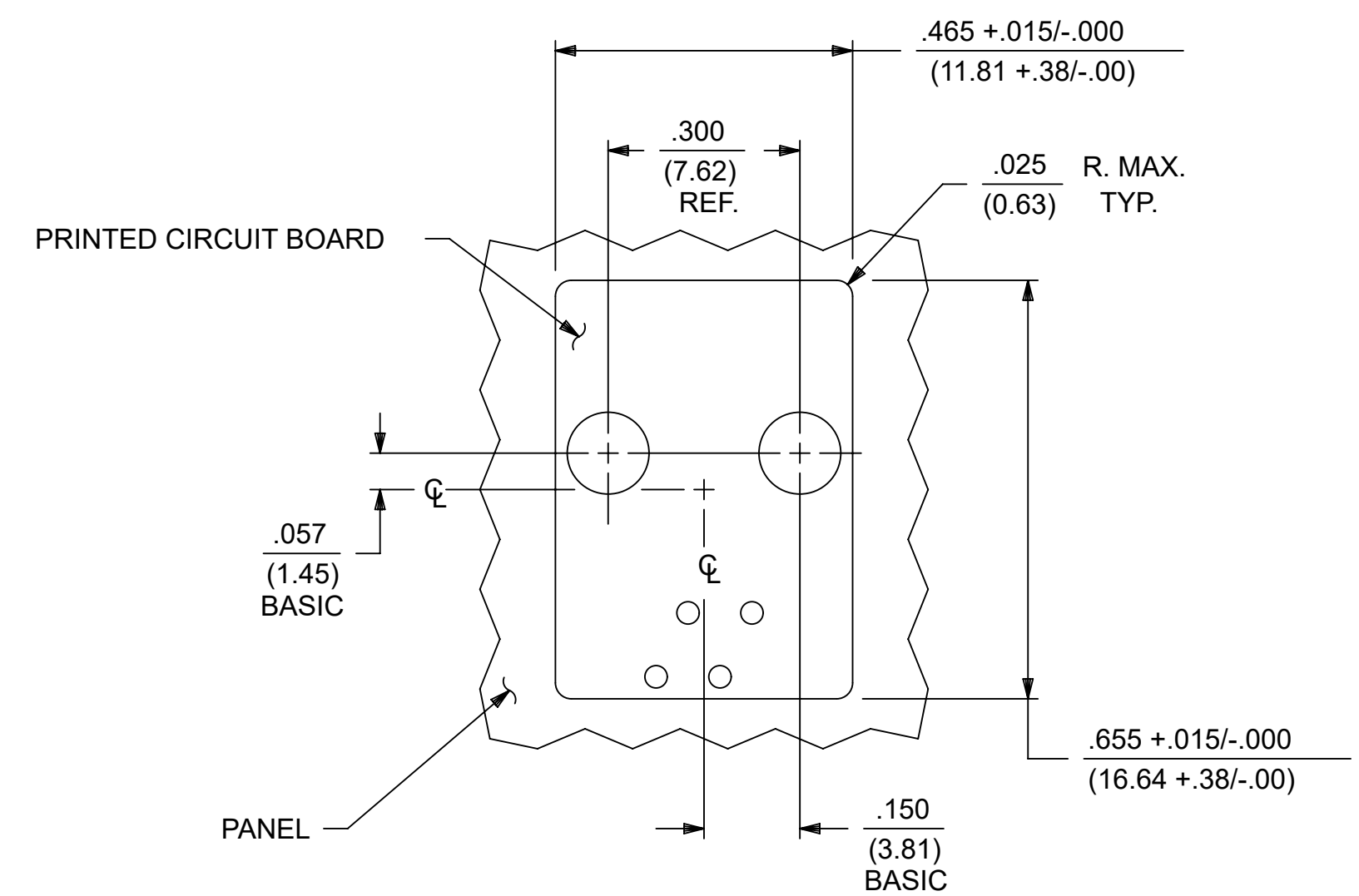
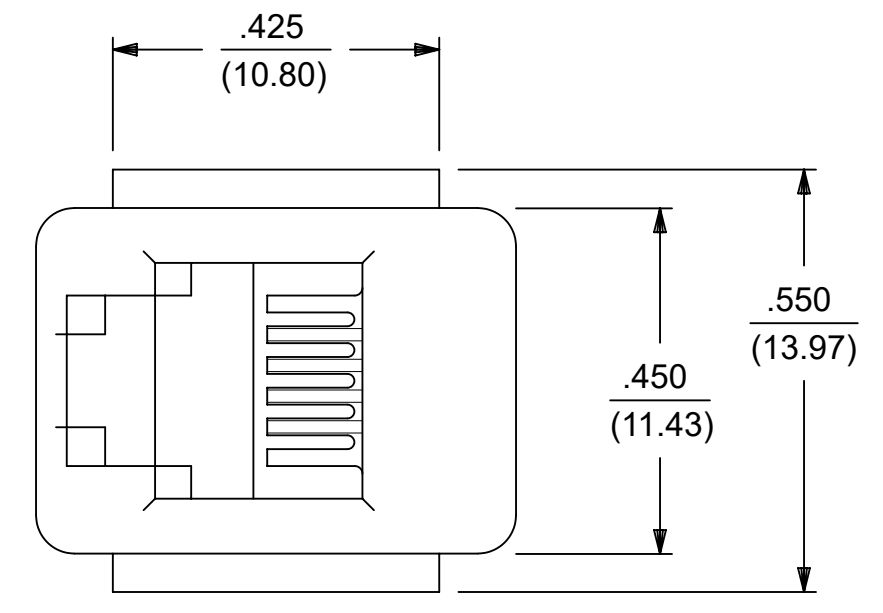
POLARIZATION OPTION:
 "NO"= JACKS WITHOUT KEYING SLOT
 "YES"= JACKS WITH KEYING SLOT (AVAILABLE ON CONNECTOR SIZE 8 ONLY)

MOUNTING EARS OPTION:
 "YES"= JACKS WITH MOUNTING EARS
 "NO"= JACKS WITHOUT MOUNTING EARS

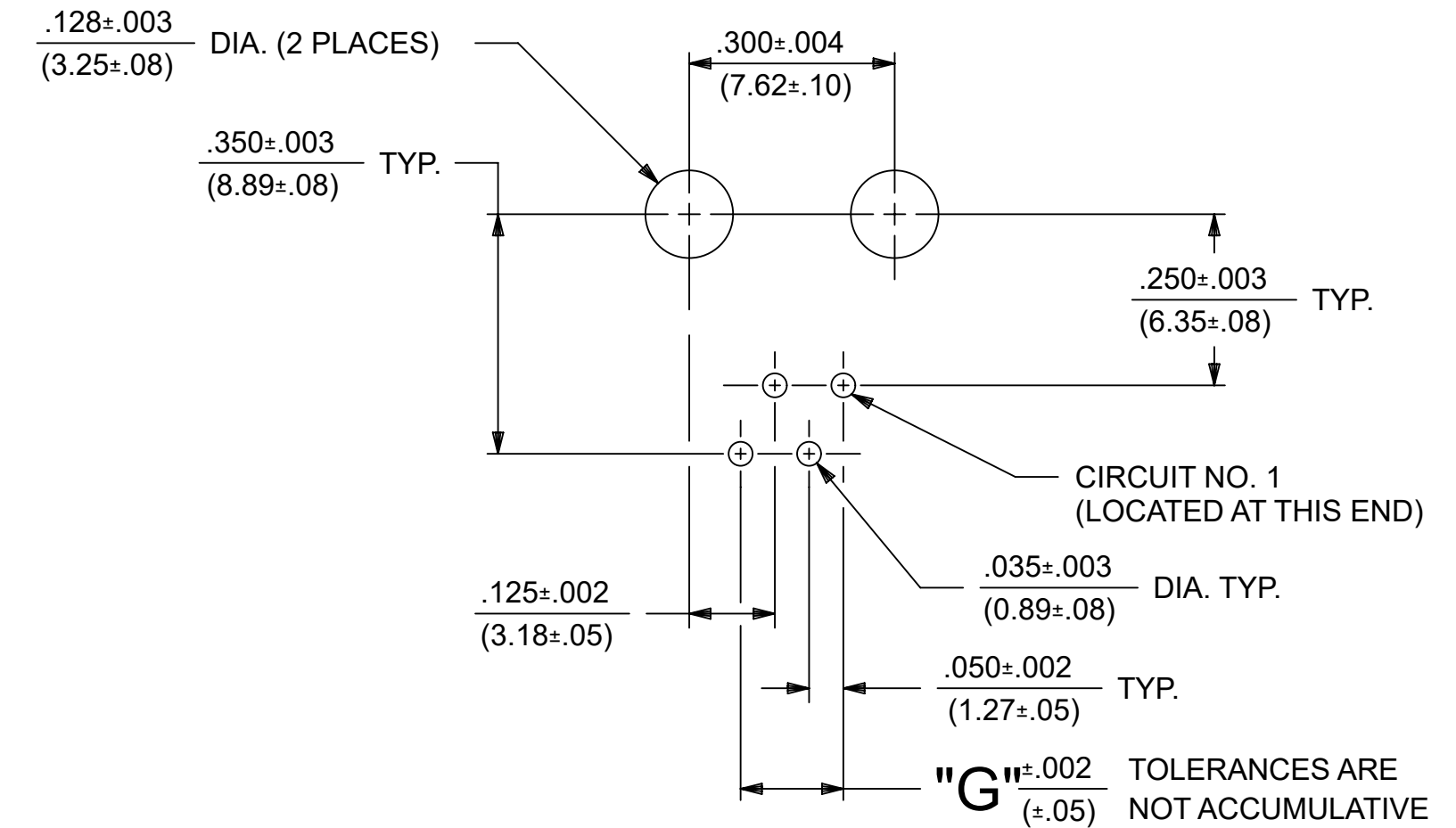
- NOTES:
- 1) MATERIALS: HOUSING- POLYESTER, GLASS FILLED, UL94V-0, COLOR - BLACK
 TERMINALS- PHOSPHOR BRONZE ALLOY, .015/(0.38) THICK.
 - 2) TERMINAL PLATING:
 SELECT GOLD IN CONTACT AREA: 50 MICROINCHES MIN.,
 *SELECT TIN IN PC TAIL AREA: 100 MICROINCHES MIN.,
 WITH OVERALL NICKEL UNDERPLATE: 50 MICROINCHES MIN.
 *THE PRIMARY SHIPPING CARTON WILL BE LABELED "COMPLIANT TO RoHS DIRECTIVE 2002/95/EC AND ELV ANNEX II OF DIRECTIVE 2000/53/EC". CARTONS WITHOUT THIS LABEL MAY CONTAIN PRODUCT WITH TIN-LEAD IN THE PC TAIL.
 - 3) THESE MODULAR JACKS MEET THE PERFORMANCE REQUIREMENTS OF MOLEX PRODUCT SPECIFICATION PS-42878.
 - 4) CONNECTORS ARE SHIPPED IN THERMOFORMED TRAYS, PER PACKAGING SPECIFICATION PK-42878-492.
 - 5) ALL JACKS ARE DESIGNED TO BE USED WITH .062/(1.57) OR .125/(3.18) THICK P.C. BOARDS.
 - 6) ALL JACKS CONFORM TO AND ACCEPT PLUGS WHICH CONFORM TO FCC RULES AND REGULATIONS PART 68, SUBPART F.
 - 7) ALL JACKS MUST BE CAPABLE OF FITTING INTO MOLEX GAGE G-42410 (CONNECTOR SIZE 4).
 - 8) SEE SHEETS 2 & 4 FOR CONNECTOR SIZE 6.
 - 9) SEE SHEETS 3 & 5 FOR CONNECTOR SIZE 8.
 - 10) ENGRAVED NUMBERS ON HOUSING BODY ARE FOR MOLDING IDENTIFICATION ONLY, THEY ARE NOT INTENDED FOR ASSEMBLY IDENTIFICATION PURPOSES.
 - 11) THIS PART CONFORMS TO CLASS B REQUIREMENTS OF COSMETIC SPECIFICATION PS-45499-002 WITH THE EXCEPTION OF THE SINK WHICH MEETS CLASS C REQUIREMENTS.

P. C. BOARD THICKNESS	DIM. "D" (MTG. PEGS)	DIM. "F" (P.C. TAILS)
.062(1.57)	.128 (3.25)	.120 +.015/- .025 (3.05 +.38/- .63)
.125(3.18)	.191 (4.85)	.205 +.015/- .025 (5.21 +.38/- .63)

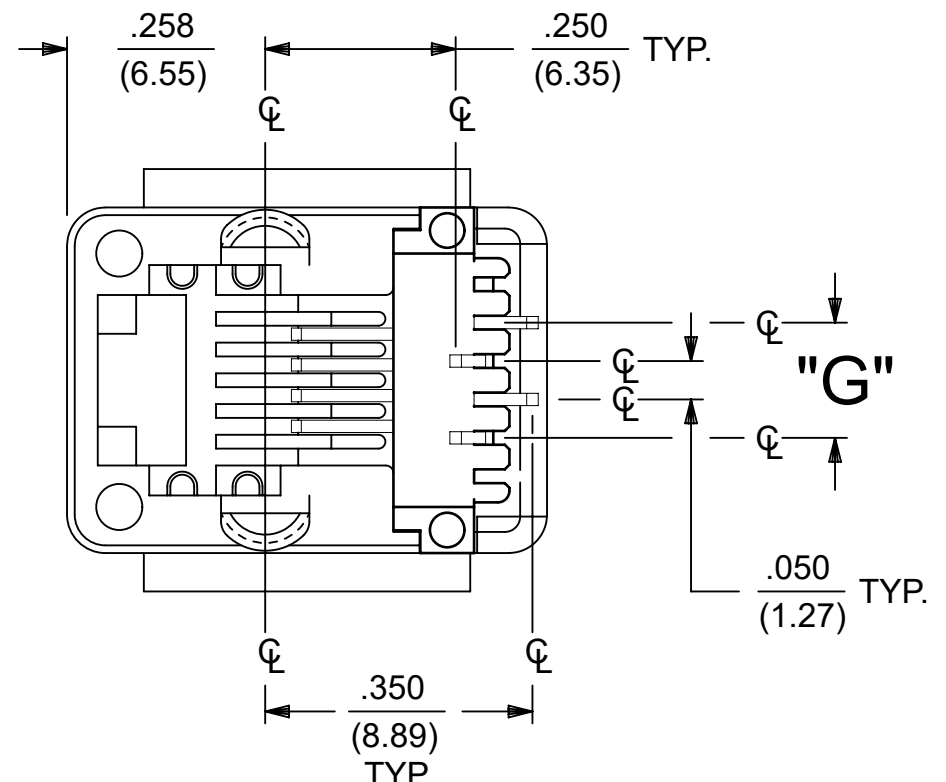
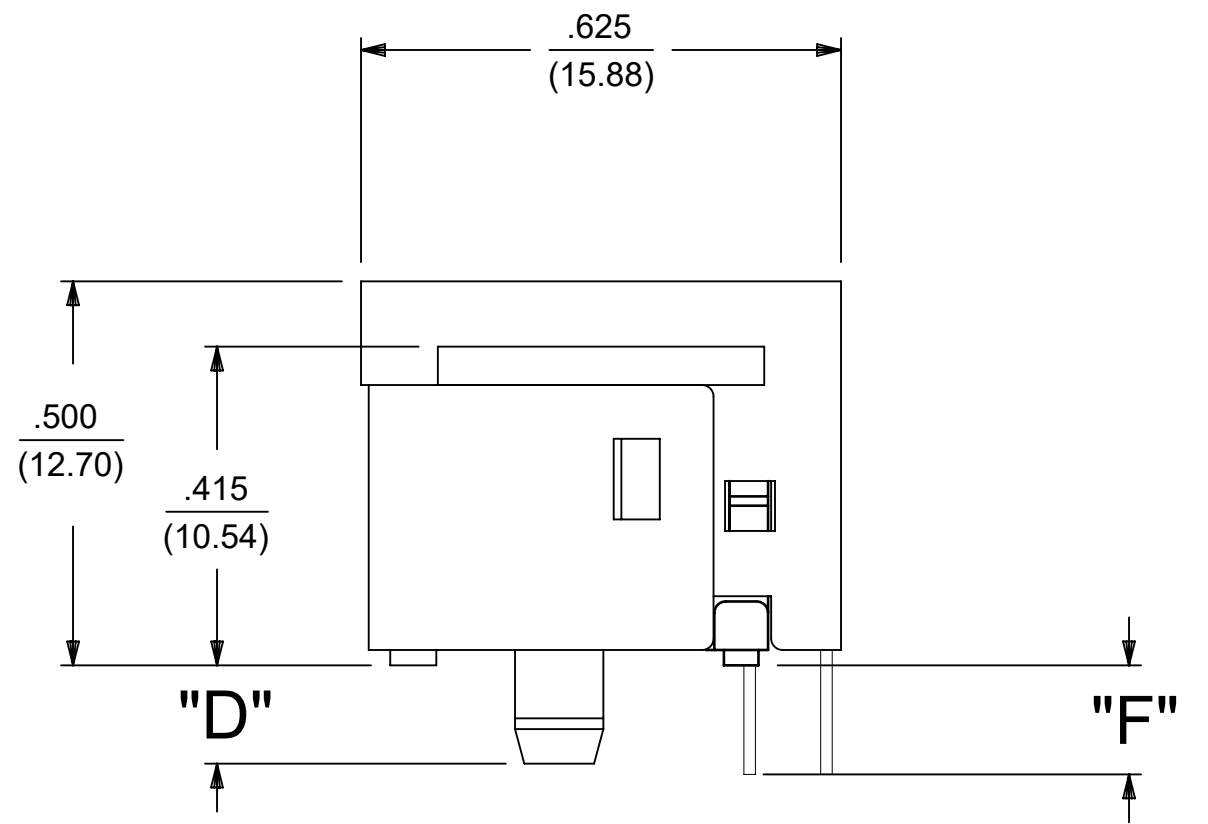
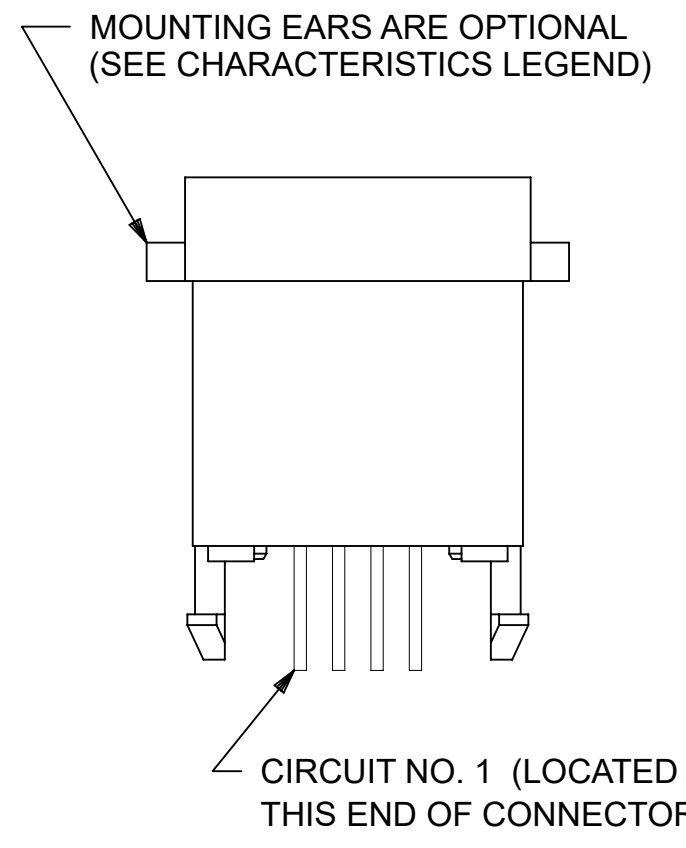
CONNECTOR SIZE	CIRCUIT SIZE	DIM. "G"
4	4	.150 (3.81)
4	2	.050 (1.27)



PANEL CUT-OUT FOR CONNECTOR SIZE 4



P.C. BOARD LAYOUT FOR CONNECTOR SIZE 4



SIZE 4 MODULAR JACK LOADED WITH 4 TERMINALS SHOWN ABOVE
 (SEE SHEET 4 FOR PART NUMBER AVAILABILITY)

THIS DRAWING CONTAINS INFORMATION THAT IS PROPRIETARY TO MOLEX ELECTRONIC TECHNOLOGIES, LLC AND SHOULD NOT BE USED WITHOUT WRITTEN PERMISSION		CURRENT REV DESC: OBSOLETE PART NUMBER AS PER PCN#509457.																																																				
<table border="1"> <tr> <th>DIMENSION UNITS</th> <th>SCALE</th> </tr> <tr> <td>IN/MM</td> <td>1:1</td> </tr> </table>		DIMENSION UNITS	SCALE			IN/MM	1:1	<table border="1"> <tr> <th colspan="2">GENERAL TOLERANCES (UNLESS SPECIFIED)</th> </tr> <tr> <th>PLACES</th> <th>TOLERANCE</th> </tr> <tr> <td>4 PLACES</td> <td>± .01</td> </tr> <tr> <td>3 PLACES</td> <td>± .015</td> </tr> <tr> <td>2 PLACES</td> <td>± .025</td> </tr> <tr> <td>1 PLACE</td> <td>± .05</td> </tr> <tr> <td>0 PLACES</td> <td>± .10</td> </tr> </table>		GENERAL TOLERANCES (UNLESS SPECIFIED)		PLACES	TOLERANCE	4 PLACES	± .01	3 PLACES	± .015	2 PLACES	± .025	1 PLACE	± .05	0 PLACES	± .10	<table border="1"> <tr> <td>EC NO: 680890</td> <td>2021/06/11</td> </tr> <tr> <td>DRWN: SANTHN</td> <td>2021/11/25</td> </tr> <tr> <td>CHK'D: GGA</td> <td>2021/11/25</td> </tr> <tr> <td>APPR: GGA</td> <td>2021/11/25</td> </tr> <tr> <td>INITIAL REVISION:</td> <td></td> </tr> <tr> <td>DRWN: BAP</td> <td>1990/10/12</td> </tr> <tr> <td>APPR: RAS</td> <td>1990/10/12</td> </tr> </table>		EC NO: 680890	2021/06/11	DRWN: SANTHN	2021/11/25	CHK'D: GGA	2021/11/25	APPR: GGA	2021/11/25	INITIAL REVISION:		DRWN: BAP	1990/10/12	APPR: RAS	1990/10/12	<table border="1"> <tr> <td colspan="3">ASSEMBLY, VERTICAL LOW PROFILE, MODULAR JACKS (CONNECTOR SIZE 4)</td> </tr> <tr> <td colspan="3">PRODUCT CUSTOMER DRAWING</td> </tr> <tr> <td>DOCUMENT NUMBER</td> <td>DOC TYPE</td> <td>DOC PART</td> </tr> <tr> <td>SDA-42878-XXXX</td> <td>PSD</td> <td>001</td> </tr> <tr> <td colspan="2">REVISION</td> <td>J</td> </tr> </table>		ASSEMBLY, VERTICAL LOW PROFILE, MODULAR JACKS (CONNECTOR SIZE 4)			PRODUCT CUSTOMER DRAWING			DOCUMENT NUMBER	DOC TYPE	DOC PART	SDA-42878-XXXX	PSD	001	REVISION
DIMENSION UNITS	SCALE																																																					
IN/MM	1:1																																																					
GENERAL TOLERANCES (UNLESS SPECIFIED)																																																						
PLACES	TOLERANCE																																																					
4 PLACES	± .01																																																					
3 PLACES	± .015																																																					
2 PLACES	± .025																																																					
1 PLACE	± .05																																																					
0 PLACES	± .10																																																					
EC NO: 680890	2021/06/11																																																					
DRWN: SANTHN	2021/11/25																																																					
CHK'D: GGA	2021/11/25																																																					
APPR: GGA	2021/11/25																																																					
INITIAL REVISION:																																																						
DRWN: BAP	1990/10/12																																																					
APPR: RAS	1990/10/12																																																					
ASSEMBLY, VERTICAL LOW PROFILE, MODULAR JACKS (CONNECTOR SIZE 4)																																																						
PRODUCT CUSTOMER DRAWING																																																						
DOCUMENT NUMBER	DOC TYPE	DOC PART																																																				
SDA-42878-XXXX	PSD	001																																																				
REVISION		J																																																				
<table border="1"> <tr> <td>DRAFT WHERE APPLICABLE MUST REMAIN WITHIN DIMENSIONS</td> <td>THIRD ANGLE PROJECTION</td> <td>DRAWING</td> <td>SERIES</td> <td>MATERIAL NUMBER</td> <td>CUSTOMER</td> <td>SHEET NUMBER</td> </tr> <tr> <td></td> <td></td> <td>D-SIZE</td> <td>42878</td> <td>SEE TABLE</td> <td>GENERAL MARKET</td> <td>1 OF 5</td> </tr> </table>		DRAFT WHERE APPLICABLE MUST REMAIN WITHIN DIMENSIONS	THIRD ANGLE PROJECTION	DRAWING	SERIES	MATERIAL NUMBER	CUSTOMER	SHEET NUMBER			D-SIZE	42878	SEE TABLE	GENERAL MARKET	1 OF 5																																							
DRAFT WHERE APPLICABLE MUST REMAIN WITHIN DIMENSIONS	THIRD ANGLE PROJECTION	DRAWING	SERIES	MATERIAL NUMBER	CUSTOMER	SHEET NUMBER																																																
		D-SIZE	42878	SEE TABLE	GENERAL MARKET	1 OF 5																																																

5	H
4	H
3	H2
2	H2
1	H2
SH	REV

MODULAR JACK CHARACTERISTICS LEGEND

EXTERNAL CONNECTOR BODY DIMENSIONS: (SEE NOTES 8 AND 9)
 JACKS ARE AVAILABLE IN STANDARD 4, 6, AND 8 POSITION BODY SIZES

NUMBER OF CONTACT POSITIONS:
 CONNECTOR SIZE 4 CAN ACCOMMODATE 2 OR 4 TERMINALS;
 CONNECTOR SIZE 6 CAN ACCOMMODATE 2, 4, OR 6 TERMINALS;
 CONNECTOR SIZE 8 CAN ACCOMMODATE 2, 4, 6, 8, OR 10 TERMINALS

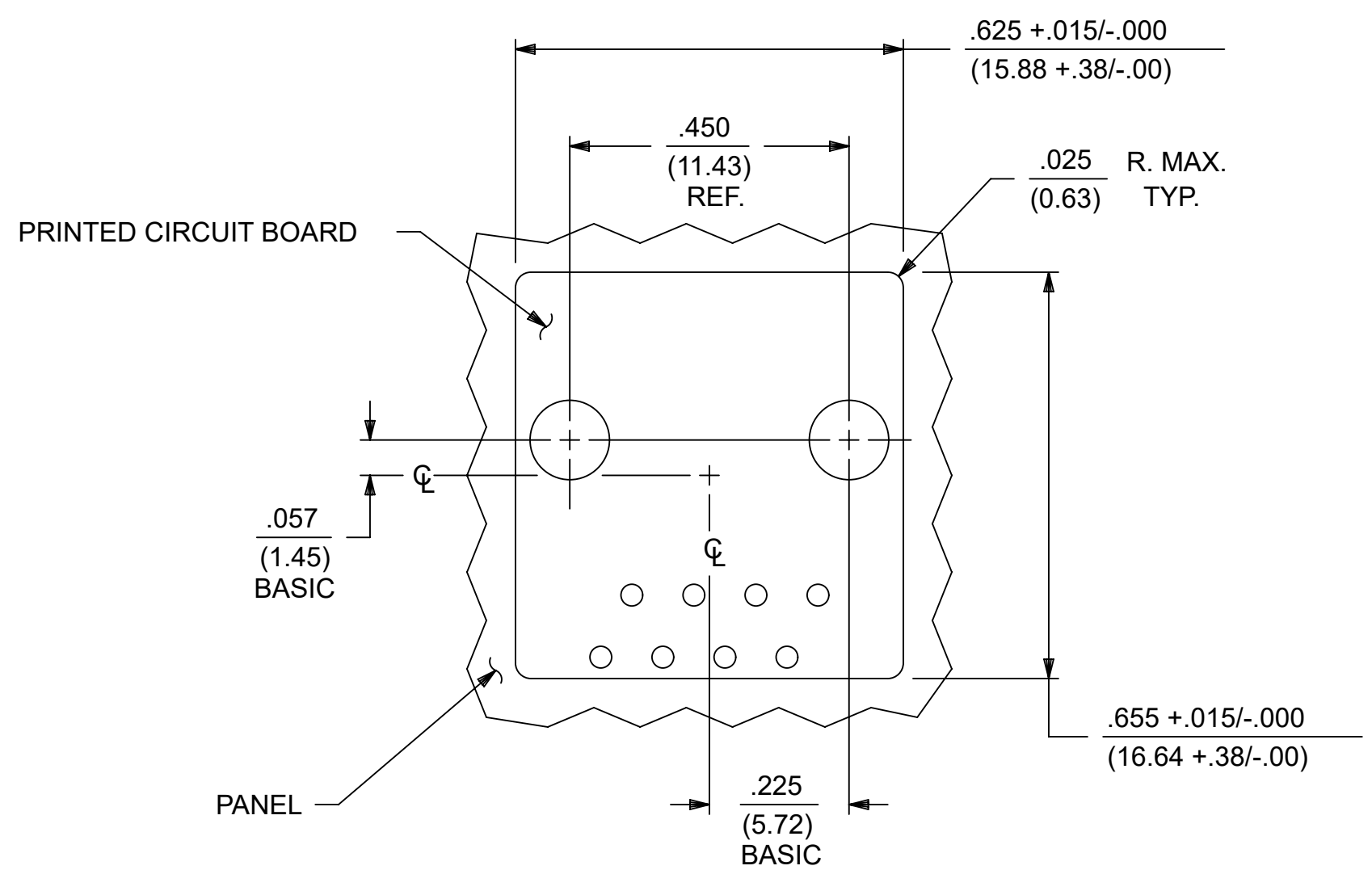
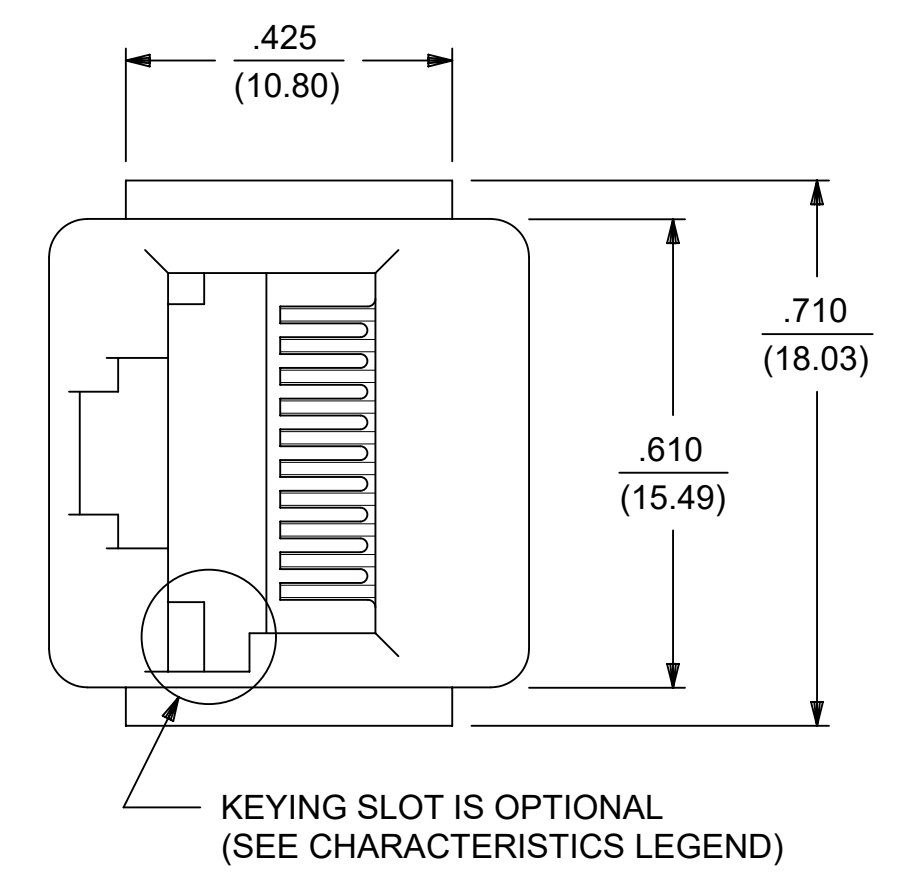
POLARIZATION OPTION:
 "NO"= JACKS WITHOUT KEYING SLOT
 "YES"= JACKS WITH KEYING SLOT (AVAILABLE ON CONNECTOR SIZE 8 ONLY)

MOUNTING EARS OPTION:
 "YES"= JACKS WITH MOUNTING EARS
 "NO"= JACKS WITHOUT MOUNTING EARS

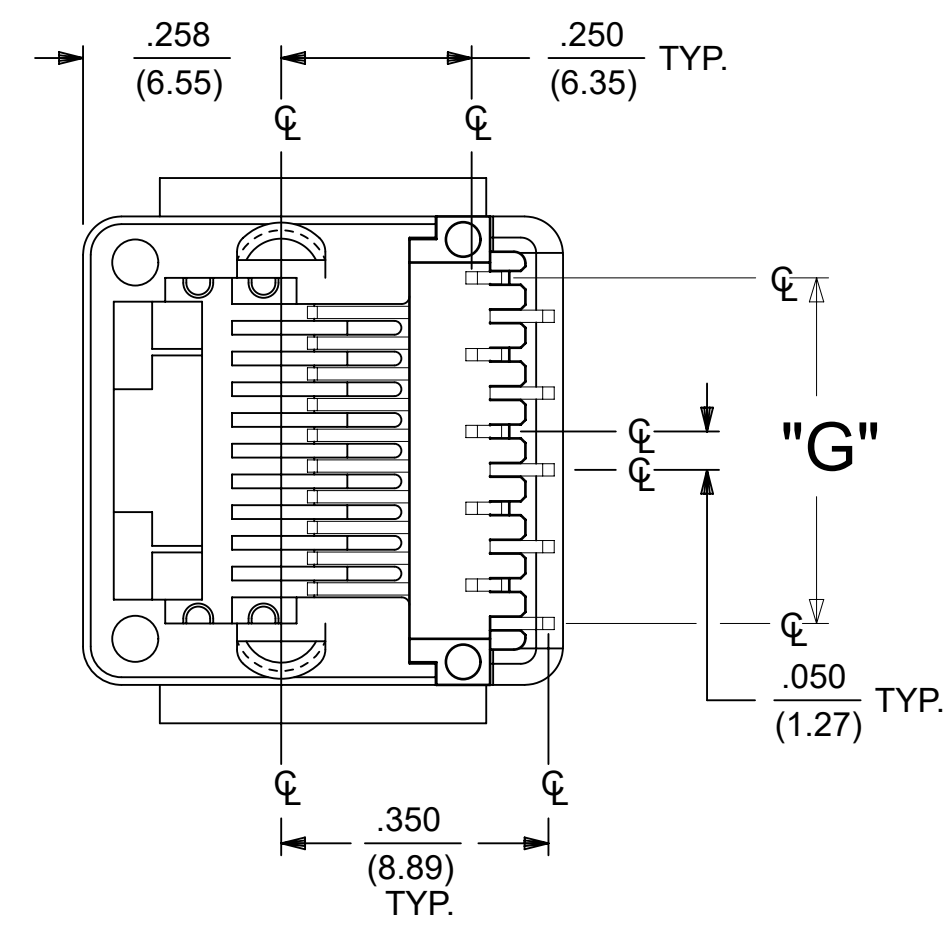
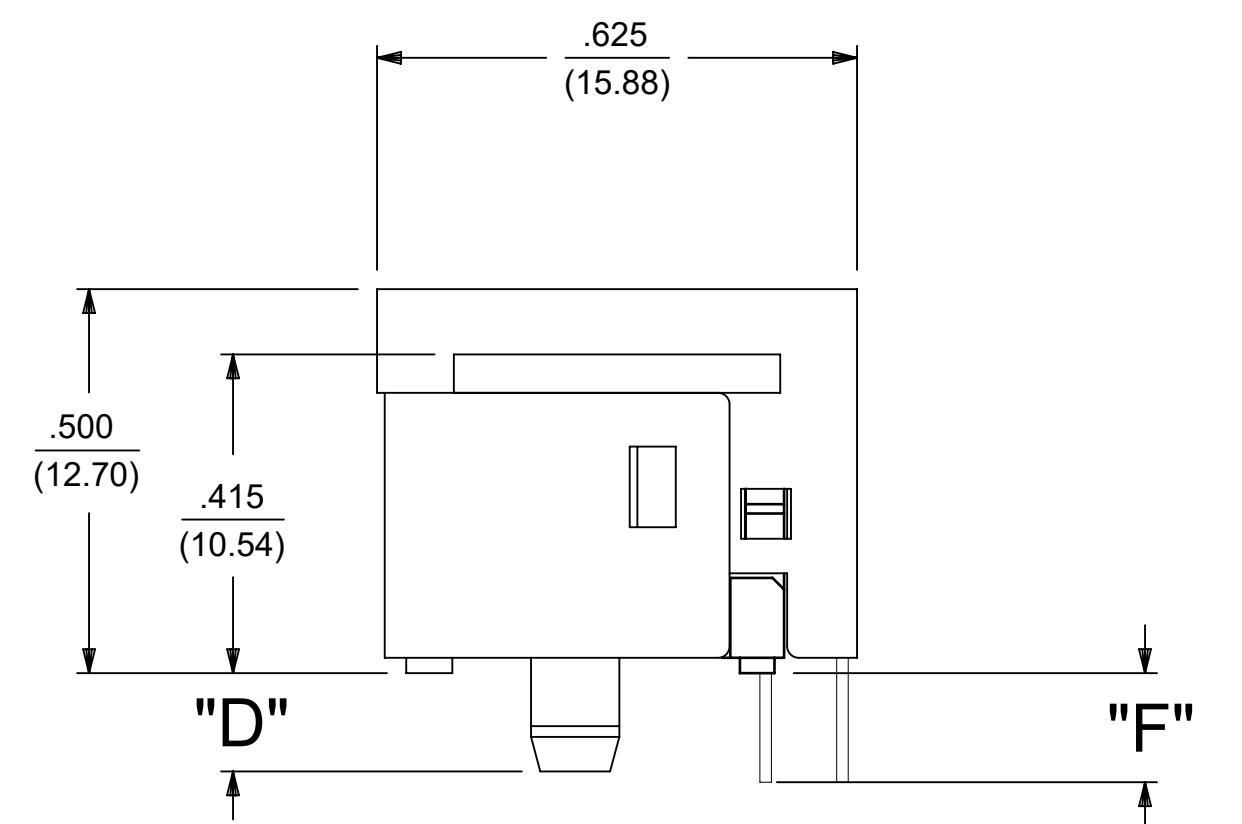
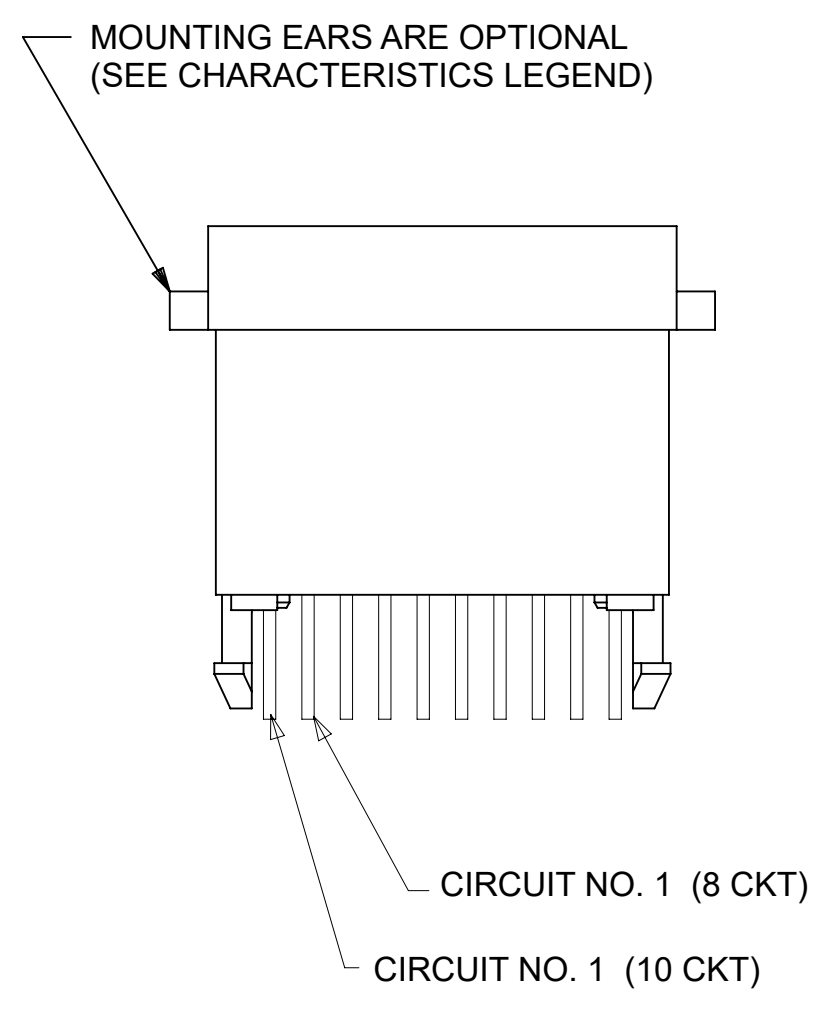
- NOTES:
- 1) MATERIALS: HOUSING- POLYESTER, GLASS FILLED, UL94V-0, COLOR - BLACK
 TERMINALS- PHOSPHOR BRONZE ALLOY, .015/(0.38) THICK.
 - 2) TERMINAL PLATING:
 SELECT GOLD IN CONTACT AREA: 50 MICROINCHES MIN.,
 *SELECT TIN IN PC TAIL AREA: 100 MICROINCHES MIN.,
 WITH OVERALL NICKEL UNDERPLATE: 50 MICROINCHES MIN.
 *THE PRIMARY SHIPPING CARTON WILL BE LABELED "COMPLIANT TO RoHS DIRECTIVE 2002/95/EC AND ELV ANNEX II OF DIRECTIVE 2000/53/EC". CARTONS WITHOUT THIS LABEL MAY CONTAIN PRODUCT WITH TIN-LEAD IN THE PC TAIL.
 - 3) THESE MODULAR JACKS MEET THE PERFORMANCE REQUIREMENTS OF MOLEX PRODUCT SPECIFICATION PS-42878.
 - 4) CONNECTORS ARE SHIPPED IN THERMOFORMED TRAYS, PER PACKAGING SPECIFICATION PK-42878-492.
 - 5) ALL JACKS ARE DESIGNED TO BE USED WITH .062/(1.57) OR .125/(3.18) THICK P.C. BOARDS.
 - 6) ALL JACKS CONFORM TO AND ACCEPT PLUGS WHICH CONFORM TO FCC RULES AND REGULATIONS PART 68, SUBPART F.
 - 7) ALL JACKS MUST BE CAPABLE OF FITTING INTO MOLEX GAGE G-42410 (CONNECTOR SIZE 8).
 - 8) SEE SHEETS 1 & 4 FOR CONNECTOR SIZE 4.
 - 9) SEE SHEETS 2 & 4 FOR CONNECTOR SIZE 6.
 - 10) ENGRAVED NUMBERS ON HOUSING BODY ARE FOR MOLDING IDENTIFICATION ONLY. THEY ARE NOT INTENDED FOR ASSEMBLY IDENTIFICATION PURPOSES.
 - 11) THIS PART CONFORMS TO CLASS B REQUIREMENTS OF COSMETIC SPECIFICATION PS-45499-002 WITH THE EXCEPTION OF THE SINK WHICH CONFORMS TO CLASS C REQUIREMENTS.

P.C. BOARD THICKNESS	DIM. "D" (MTG. PEGS)	DIM. "F" (P.C. TAILS)
.062/(1.57)	.128 (3.25)	.120 +.015/-.025 (3.05 +.38/-.63)
.125/(3.18)	.191 (4.85)	.205 +.015/-.025 (5.21 +.38/-.63)

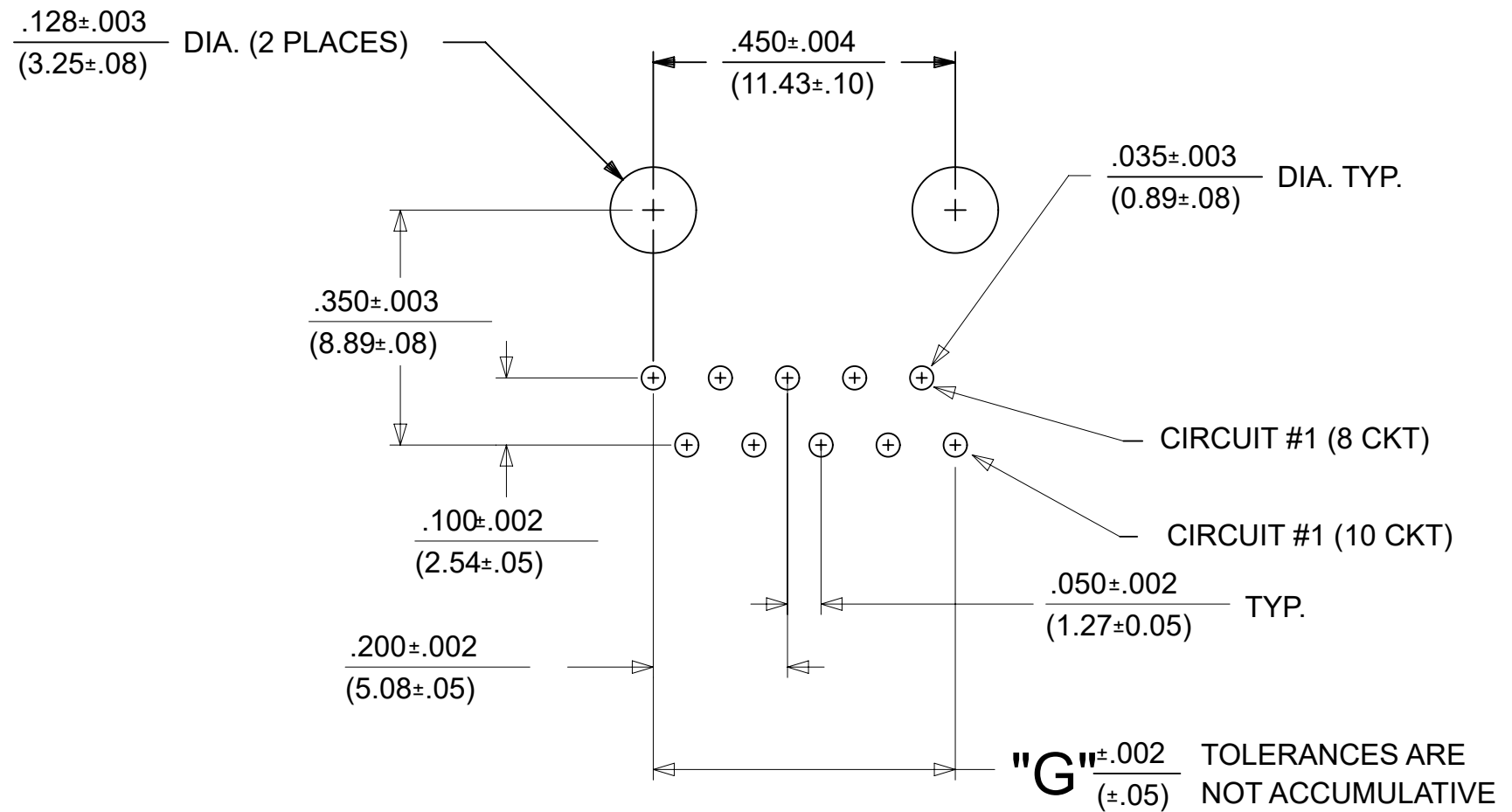
CONNECTOR SIZE	CIRCUIT SIZE	DIM. "G"
8	10	.450 (11.43)
8	8	.350 (8.89)
8	6	.250 (6.35)
8	4	.150 (3.81)
8	2	.050 (1.27)



PANEL CUT-OUT FOR CONNECTOR SIZE 8



SIZE 8 MODULAR JACK LOADED WITH 10 TERMINALS SHOWN ABOVE



P.C. BOARD LAYOUT FOR CONNECTOR SIZE 8

10 CIRCUIT SHOWN

THIS DRAWING CONTAINS INFORMATION THAT IS PROPRIETARY TO MOLEX ELECTRONIC TECHNOLOGIES, LLC AND SHOULD NOT BE USED WITHOUT WRITTEN PERMISSION		CURRENT REV DESC: OBSOLETE PART NUMBER AS PER PCN#509457.			
DIMENSION UNITS	SCALE	EC NO: 680890			
IN/MM	1:1	DRWN: SANTHN 2021/06/11		ASSEMBLY, VERTICAL LOW PROFILE, MODULAR JACKS (CONNECTOR SIZE 4)	
GENERAL TOLERANCES (UNLESS SPECIFIED)		CHK'D: GGA 2021/11/25			
4 PLACES	±	APPR: GGA 2021/11/25		PRODUCT CUSTOMER DRAWING	
3 PLACES	±	INITIAL REVISION:		DOCUMENT NUMBER	
2 PLACES	± 0.25	DRWN: BAP 1990/10/12		SDA-42878-XXXX	
1 PLACE	±	APPR: RAS 1990/10/12		DOC TYPE DOC PART REVISION	
0 PLACES	±	THIRD ANGLE PROJECTION		PSD 001 J	
ANGULAR TOL	± 0.5 °	DRAWING		GENERAL MARKET	
DRAFT WHERE APPLICABLE MUST REMAIN WITHIN DIMENSIONS		SERIES		SHEET NUMBER	
		D-SIZE 42878		3 OF 5	

ASSEMBLY NUMBER	PART CHARACTERISTICS			
	EXTERNAL CONNECTOR SIZE	NUMBER OF POSITIONS	P. C. BOARD THICKNESS	MOUNTING EARS OPTION
42878-4216	4 POS. BODY	4	.062	YES
42878-4218	4 POS. BODY	4	.062	NO

ASSEMBLY ITEM NUMBER	PART CHARACTERISTICS			
	EXTERNAL CONNECTOR SIZE	NUMBER OF POSITIONS	P. C. BOARD THICKNESS	MOUNTING EARS OPTION
42878-6216	6 POS. BODY	6	.062	YES
42878-6218	6 POS. BODY	6	.062	NO
42878-6362	6 POS. BODY	4	.062	NO
42878-6506	6 POS. BODY	2	.062	NO

CHARACTERISTICS LEGEND			
EXTERNAL CONNECTOR BODY DIMENSIONS: AVAILABLE IN 4, 6, AND 8 POSITION BODY			
NUMBER OF CONTACT POSITIONS: CONNECTOR SIZE 4 ACCOMMODATES 2, 4, OR 4 TERMINALS; CONNECTOR SIZE 6 ACCOMMODATES 2, 4, OR 6 TERMINALS; CONNECTOR SIZE 8 ACCOMMODATES 2, 4, 6, 8, OR 10 TERMINALS			
POLARIZATION OPTION: (AVAILABLE ON CONNECTOR SIZE 8 ONLY) "NO"= WITHOUT KEYING SLOT "YES"= WITH KEYING SLOT			
MOUNTING EARS OPTION: "YES"= PART WITH MOUNTING EARS "NO"= PART WITHOUT MOUNTING EARS			

(SEE SHEET 1 & 2 FOR PART DESCRIPTIONS AND DIMENSIONS)

THIS DRAWING CONTAINS INFORMATION THAT IS PROPRIETARY TO MOLEX ELECTRONIC TECHNOLOGIES, LLC AND SHOULD NOT BE USED WITHOUT WRITTEN PERMISSION AS PER PCN#509457.											
DIMENSION UNITS IN/MM		SCALE 1:1		CURRENT REV DESC: OBSOLETE PART NUMBER AS PER PCN#509457.				molex		ASSEMBLY, VERTICAL LOW PROFILE, MODULAR JACKS (CONNECTOR SIZE 4)	
GENERAL TOLERANCES (UNLESS SPECIFIED)				EC NO: 680890		2021/06/11					
		MM	INCH	DRWN: SANTHN		2021/11/25		PRODUCT CUSTOMER DRAWING			
4 PLACES ±		±	±	CHK'D: GGA		2021/11/25					
3 PLACES ±		±	0.01	APPR: GGA		2021/11/25		DOCUMENT NUMBER SDA-42878-XXXX			
2 PLACES ±		0.25	±	INITIAL REVISION:							
1 PLACE ±		±	±	DRWN: BAP		1990/10/12		DOC TYPE PSD		DOC PART 001	
0 PLACES ±		±	±	APPR: RAS		1990/10/12		REVISION J			
ANGULAR TOL ±		0.5 °		THIRD ANGLE PROJECTION		DRAWING D-SIZE		SERIES 42878		MATERIAL NUMBER SEE TABLE	
DRAFT WHERE APPLICABLE MUST REMAIN WITHIN DIMENSIONS				THIRD ANGLE PROJECTION		DRAWING D-SIZE		SERIES 42878		CUSTOMER GENERAL MARKET	
DOCUMENT STATUS P1		RELEASE DATE 2021/11/25 12:18:04		THIRD ANGLE PROJECTION		DRAWING D-SIZE		SERIES 42878		SHEET NUMBER 4 OF 5	

DOCUMENT STATUS	P1	RELEASE DATE	2021/11/25 12:18:04
-----------------	----	--------------	---------------------


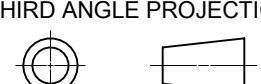
ASSEMBLY ITEM NUMBER	PART CHARACTERISTICS				
	EXTERNAL CONNECTOR SIZE	NUMBER OF POSITIONS	P. C. BOARD THICKNESS	POLARIZATION OPTION	MOUNTING EARS OPTION
42878-8408	8 POS. BODY	8	.062	NO	YES
42878-8410	8 POS. BODY	8	.062	NO	NO
42878-8456	8 POS. BODY	8	.062	YES	YES
42878-8458	8 POS. BODY	8	.062	YES	NO
42878-8506	8 POS. BODY	8	.125	NO	NO

ASSEMBLY ITEM NUMBER	PART CHARACTERISTICS				
	EXTERNAL CONNECTOR SIZE	NUMBER OF POSITIONS	BOARD THICKNESS/ P.C. TAIL OPTION	POLARIZATION OPTION	MOUNTING EARS OPTION
42878-9370	8 POS. BODY	2	.125	NO	NO

ASSEMBLY ITEM NUMBER	PART CHARACTERISTICS				
	EXTERNAL CONNECTOR SIZE	NUMBER OF POSITIONS	BOARD THICKNESS/ P.C. TAIL OPTION	POLARIZATION OPTION	MOUNTING EARS OPTION
42878-1003	8 POS. BODY	10	.062	NO	NO

CHARACTERISTICS LEGEND
EXTERNAL CONNECTOR BODY DIMENSIONS: AVAILABLE IN 4, 6, AND 8 POSITION BODY
NUMBER OF CONTACT POSITIONS: CONNECTOR SIZE 4 ACCOMMODATES 2, OR 4 TERMINALS; CONNECTOR SIZE 6 ACCOMMODATES 2, 4, OR 6 TERMINALS; CONNECTOR SIZE 8 ACCOMMODATES 2, 4, 6, 8, OR 10 TERMINALS
POLARIZATION OPTION: (AVAILABLE ON CONNECTOR SIZE 8 ONLY) "NO"= WITHOUT KEYING SLOT "YES"= WITH KEYING SLOT
MOUNTING EARS OPTION: "YES"= PART WITH MOUNTING EARS "NO"= PART WITHOUT MOUNTING EARS

(SEE SHEET 3 FOR PART DESCRIPTIONS AND DIMENSIONS)

THIS DRAWING CONTAINS INFORMATION THAT IS PROPRIETARY TO MOLEX ELECTRONIC TECHNOLOGIES, LLC AND SHOULD NOT BE USED WITHOUT WRITTEN PERMISSION													
DIMENSION UNITS	SCALE	CURRENT REV DESC: OBSOLETE PART NUMBER AS PER PCN#509457.											
IN/MM	1:1												
GENERAL TOLERANCES (UNLESS SPECIFIED)					ASSEMBLY, VERTICAL LOW PROFILE, MODULAR JACKS (CONNECTOR SIZE 4)								
	MM	INCH				PRODUCT CUSTOMER DRAWING							
4 PLACES	±	±				DOCUMENT NUMBER							
3 PLACES	±	± 0.01				DOC TYPE							
2 PLACES	±	0.25				DOC PART							
1 PLACE	±	±				REVISION							
0 PLACES	±	±				SDA-42878-XXXX							
ANGULAR TOL	±	0.5 °				PSD							
DRAFT WHERE APPLICABLE MUST REMAIN WITHIN DIMENSIONS		THIRD ANGLE PROJECTION		DRAWING		SERIES		MATERIAL NUMBER		CUSTOMER		SHEET NUMBER	
				D-SIZE		42878		SEE TABLE		GENERAL MARKET		5 OF 5	

DOCUMENT STATUS	P1	RELEASE DATE	2021/11/25	12:18:04
-----------------	----	--------------	------------	----------