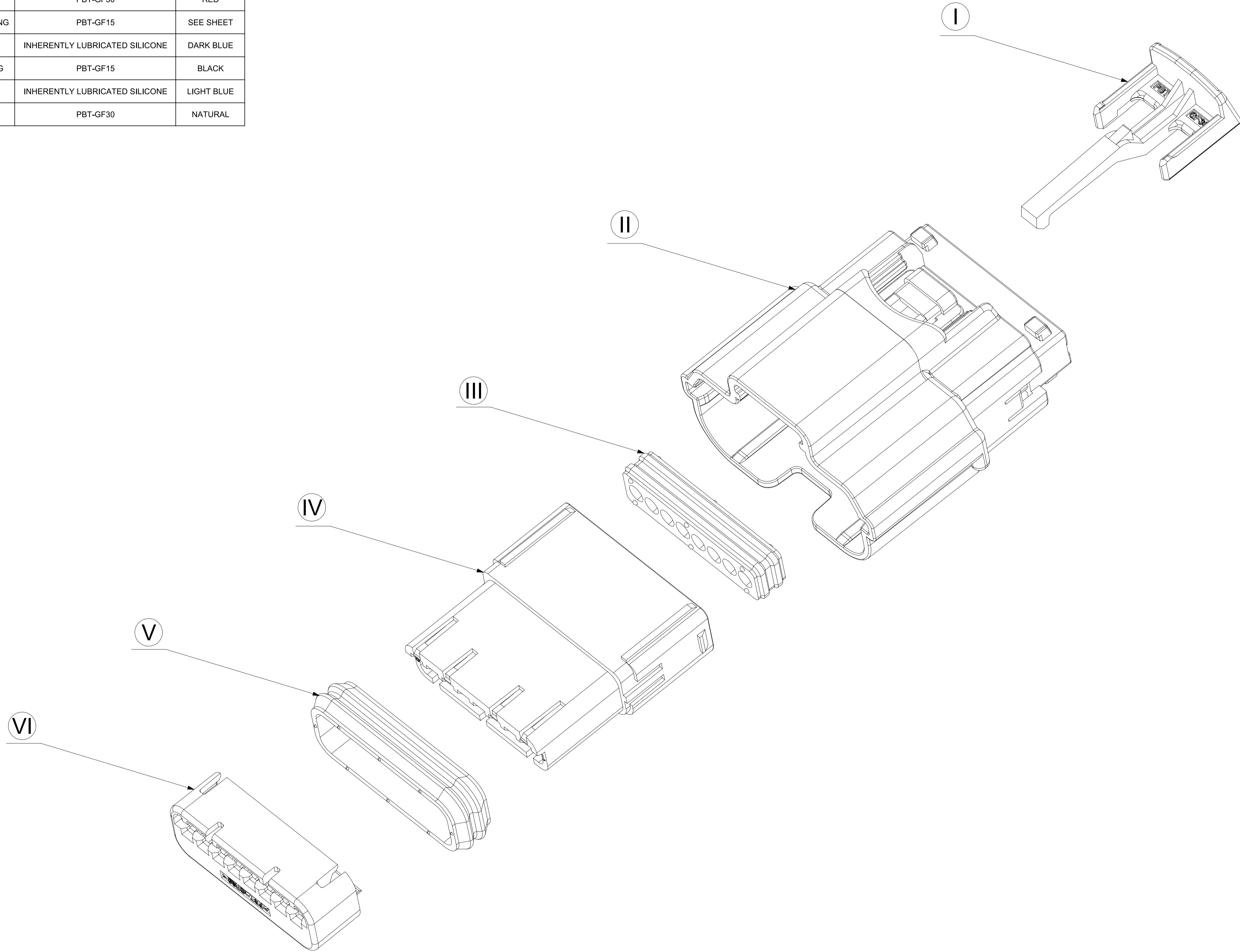




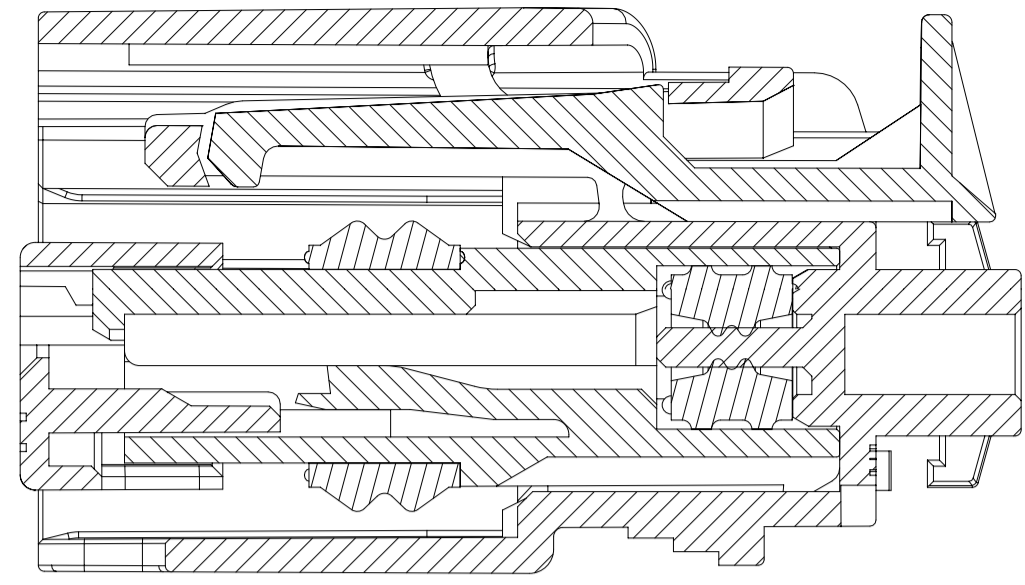
SHEET DESCRIPTION	
BOM	

ITEM NO.	DESCRIPTION	MATERIAL	COLOR
I	CPA	PBT-GF30	RED
II	CONNECTOR HOUSING	PBT-GF15	SEE SHEET
III	MATTE SEAL	INHERENTLY LUBRICATED SILICONE	DARK BLUE
IV	TERMINAL HOUSING	PBT-GF15	BLACK
V	PERIPHERAL SEAL	INHERENTLY LUBRICATED SILICONE	LIGHT BLUE
VI	TPA	PBT-GF30	NATURAL

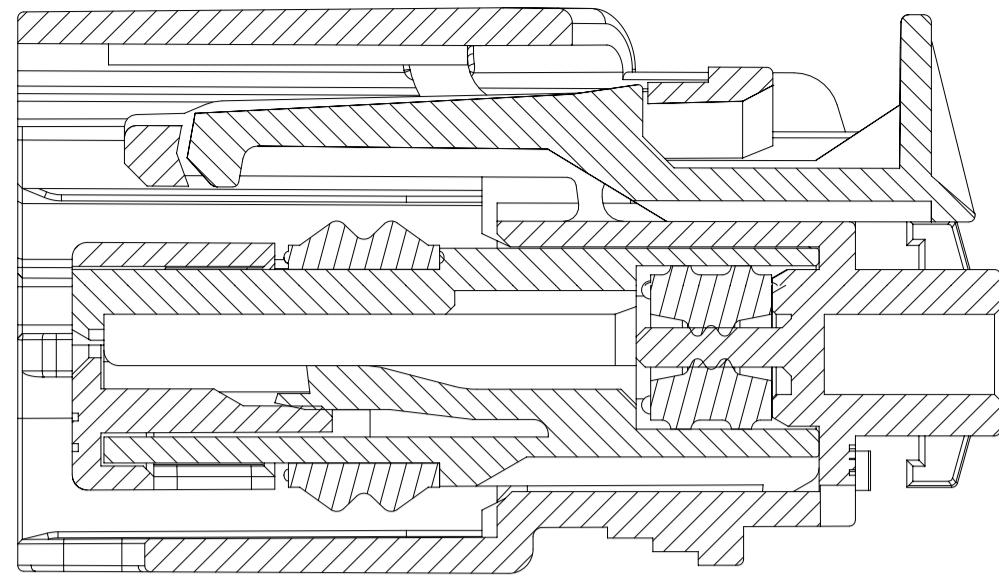


<b>SYMBOLS</b> = 0 = 0 = 0 = 0 = 0 = 0 = 0 = 0 = 0	THIS DRAWING CONTAINS INFORMATION THAT IS PROPRIETARY TO MOLEX ELECTRONIC TECHNOLOGIES, LLC AND SHOULD NOT BE USED WITHOUT WRITTEN PERMISSION DIMENSION UNITS: <b>mm</b> SCALE: <b>4:1</b>		CURRENT REV DESC: EC NO: CO-000000853 DRWN: Yan Allen    15-Apr-2022 CHK'D: Fiona Chen    15-Apr-2022 APPR: Colin Zhang    20-Apr-2022		 USCAR 0.64MM 8 WAY ADD NEW P/N: 314049184/9194		
	GENERAL TOLERANCES (UNLESS SPECIFIED) ANGULAR TOL ± 0.5° = 0 4 PLACES ± 0 = 0 3 PLACES ± 0 = 0 2 PLACES ± 0 = 0 1 PLACE ± 0 = 0 0 PLACES ± 0 DRAFT WHERE APPLICABLE MUST REMAIN WITHIN DIMENSIONS		INITIAL REVISION: DRWN: Yan Allen    14-Feb-2022 APPR: David Xie    24-Feb-2022				
DOCUMENT STATUS: Approved    RELEASE DATE: 20-Apr-2022 01:31:59		THIRD ANGLE PROJECTION 		DRAWING: <b>A1-SIZE</b> SERIES: <b>31404</b>		MATERIAL NUMBER:    CUSTOMER: GENERAL MARKET    SHEET NUMBER: 2 OF 4	

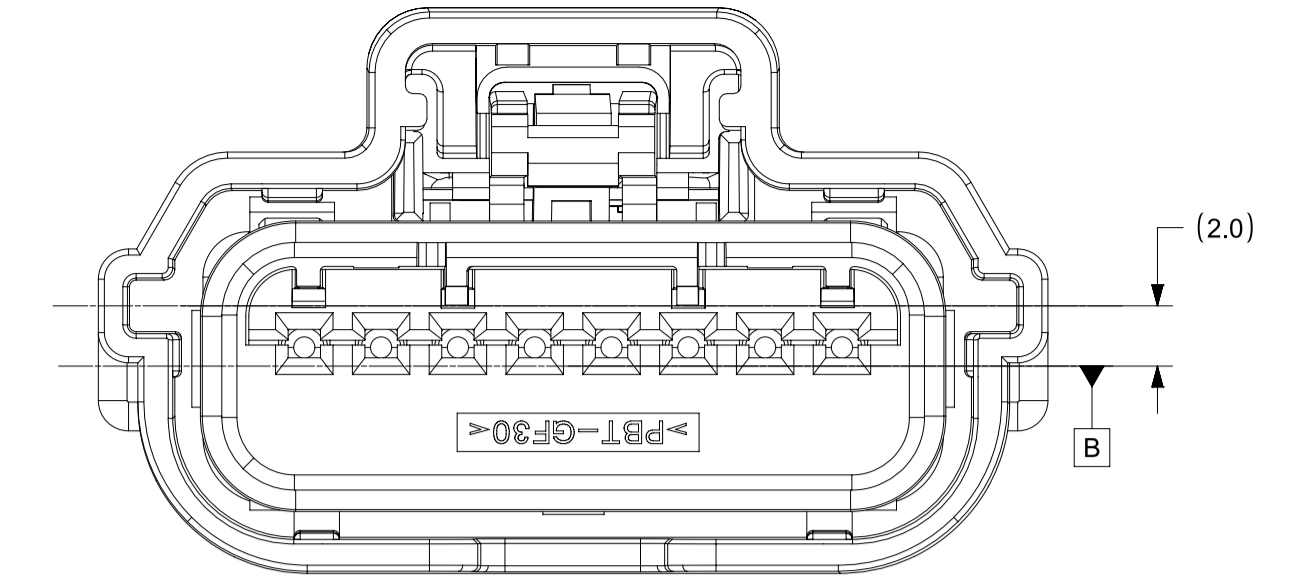
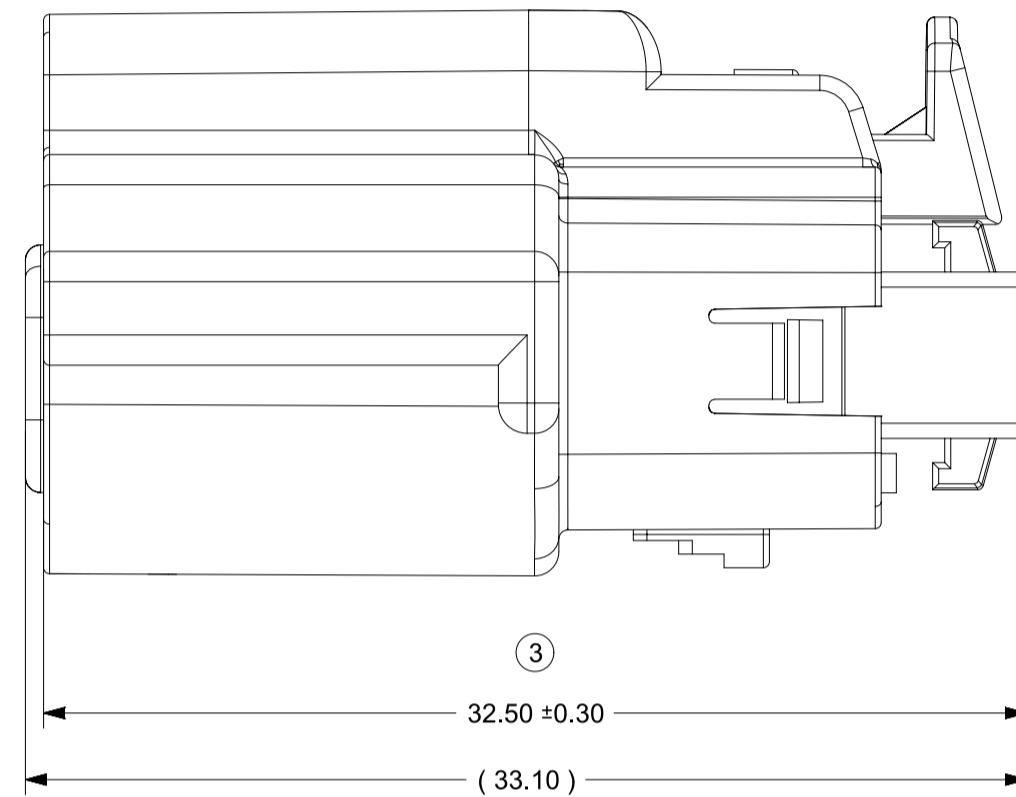
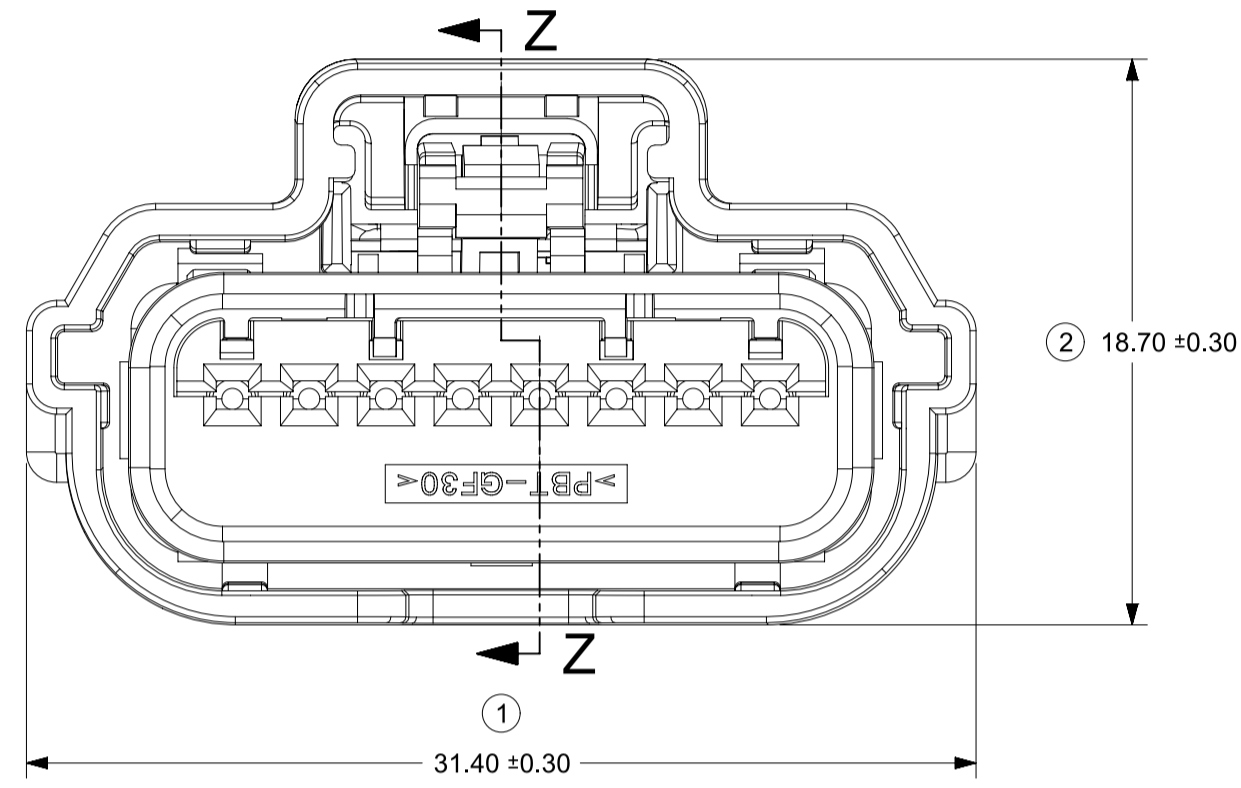
SHEET DESCRIPTION  
KEY CONFIGURATIONS



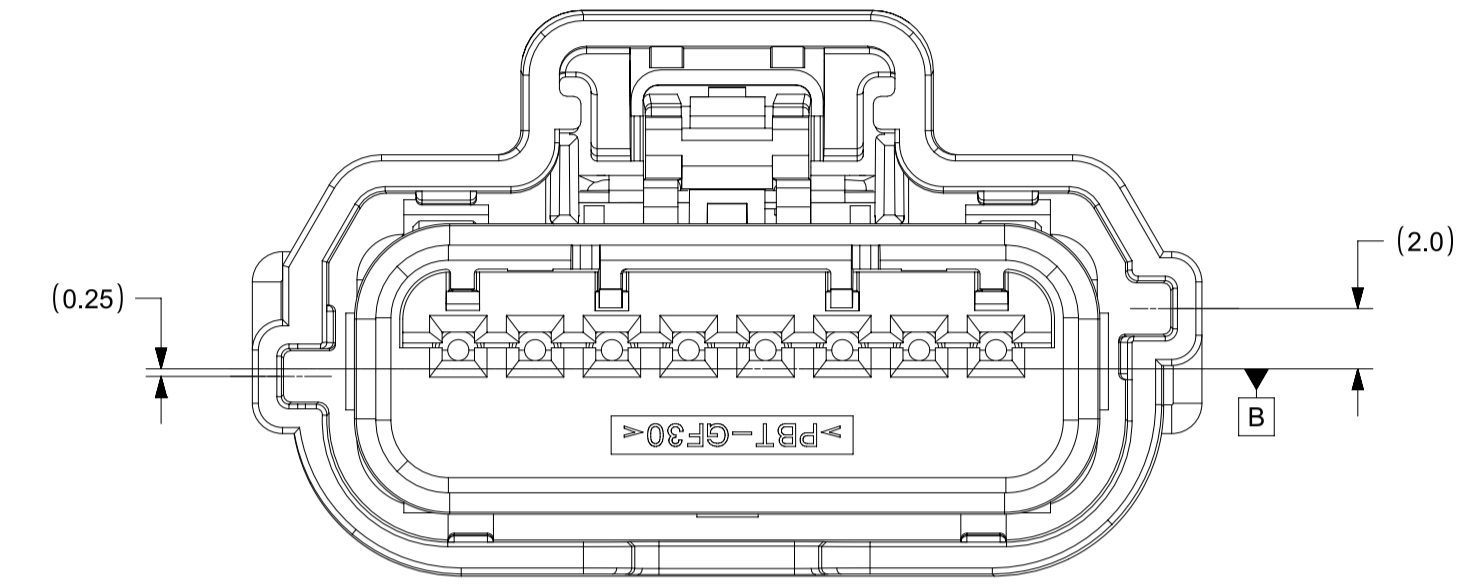
SECTION Z-Z  
TPA SHOWN IN AS-SHIPPED  
PRE-SET POSITION  
SEE NOTE 1-a



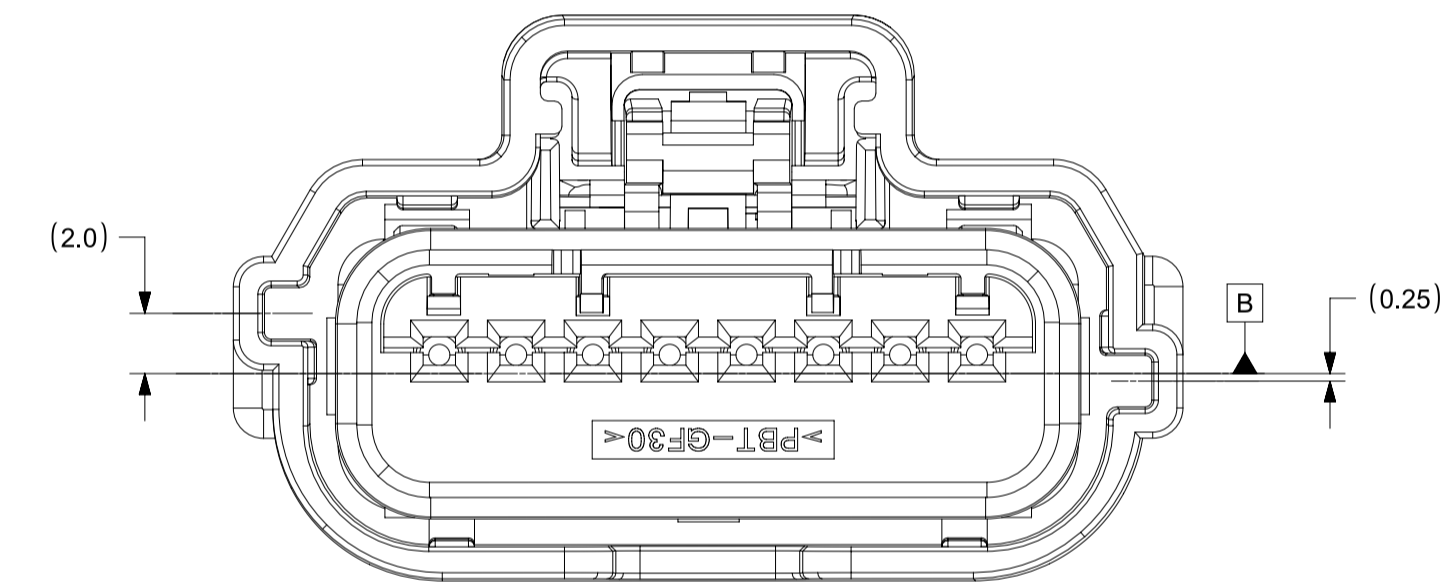
SECTION Y-Y  
TPA SHOWN IN FINAL  
LOCK POSITION  
SEE NOTE 1-a



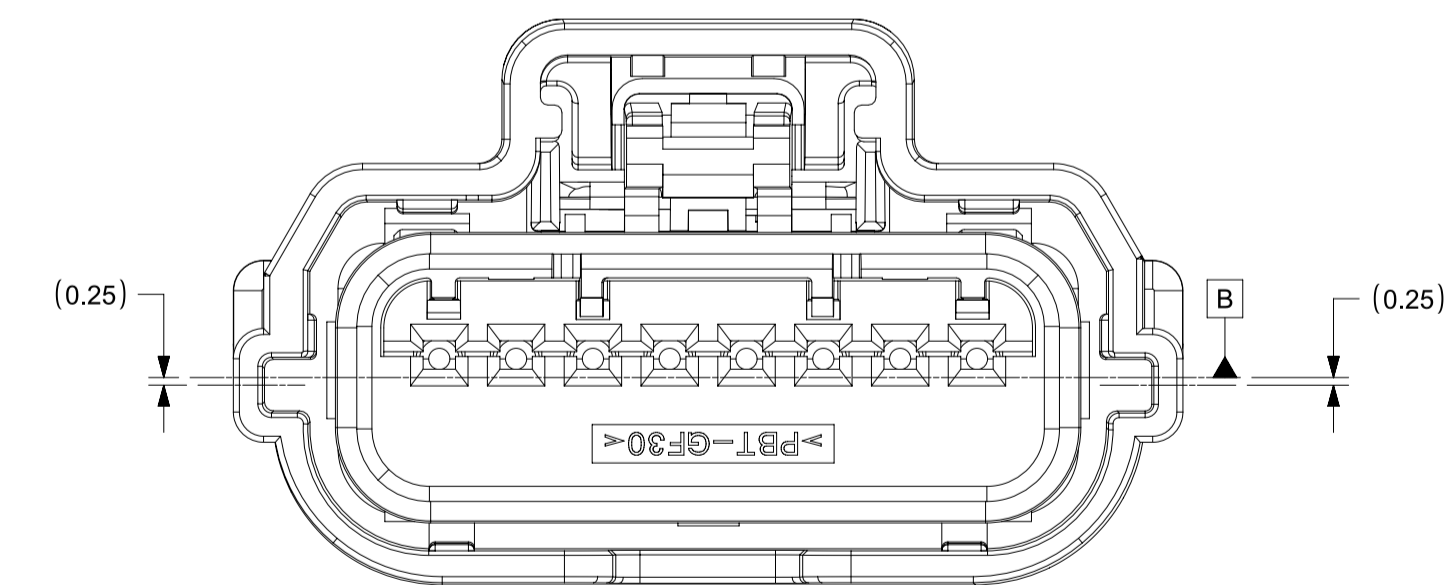
POLARIZATION A



POLARIZATION B

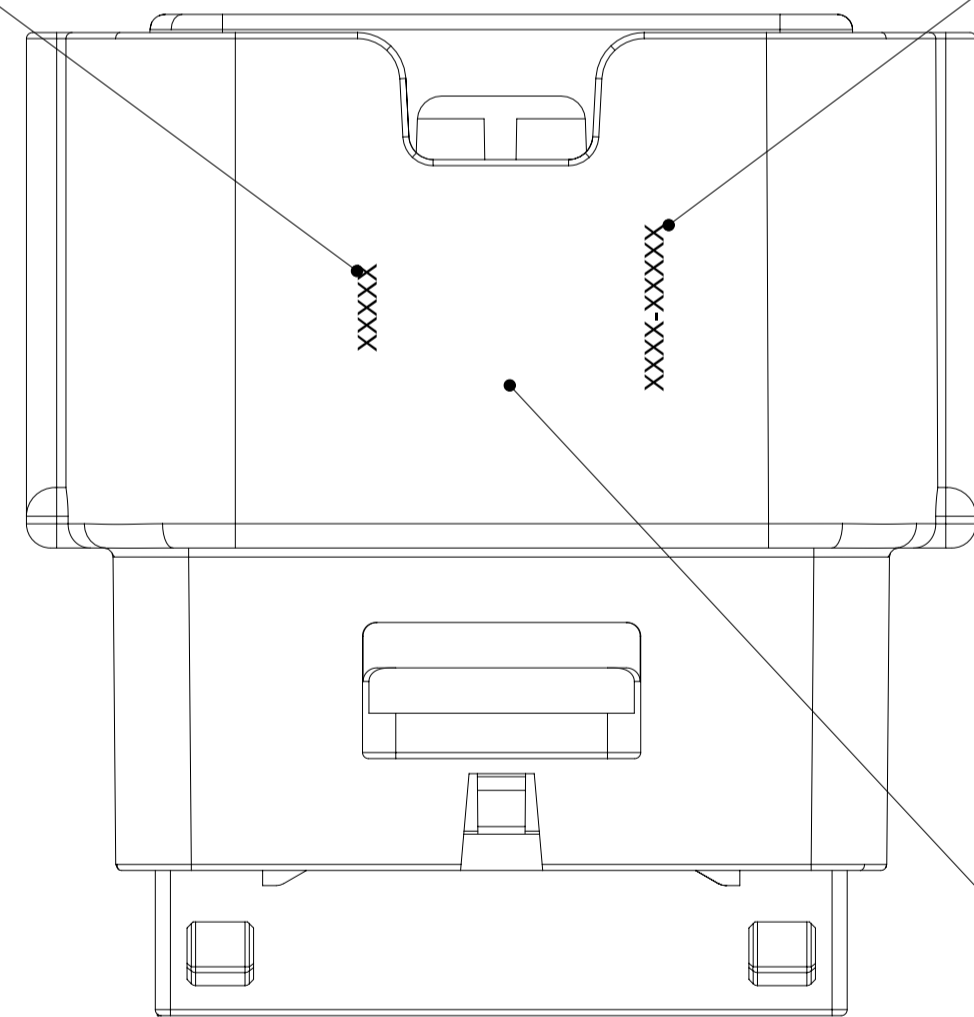


POLARIZATION C



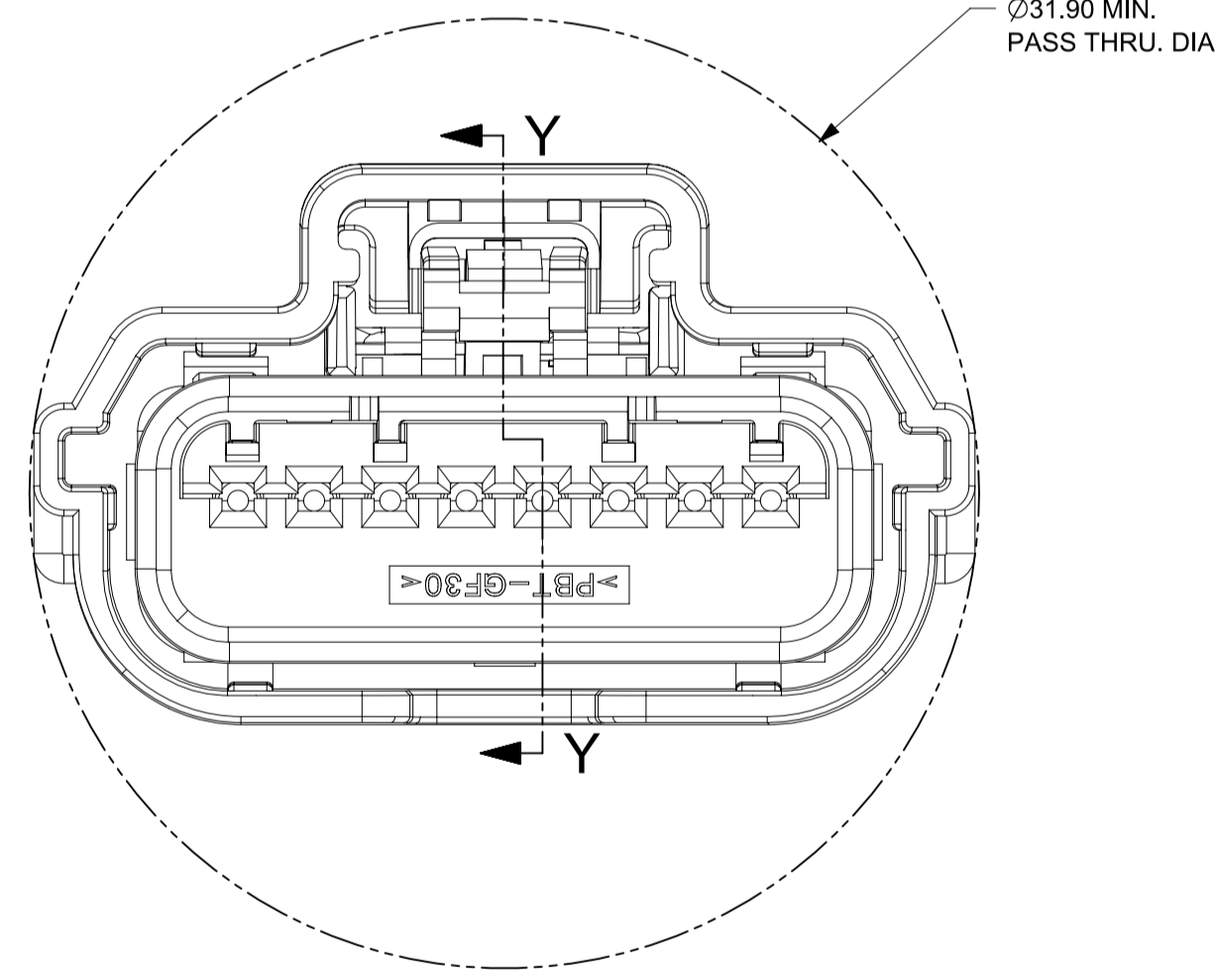
POLARIZATION D

DATE CODE  
SEE NOTE 3-b



MOLEX P/N

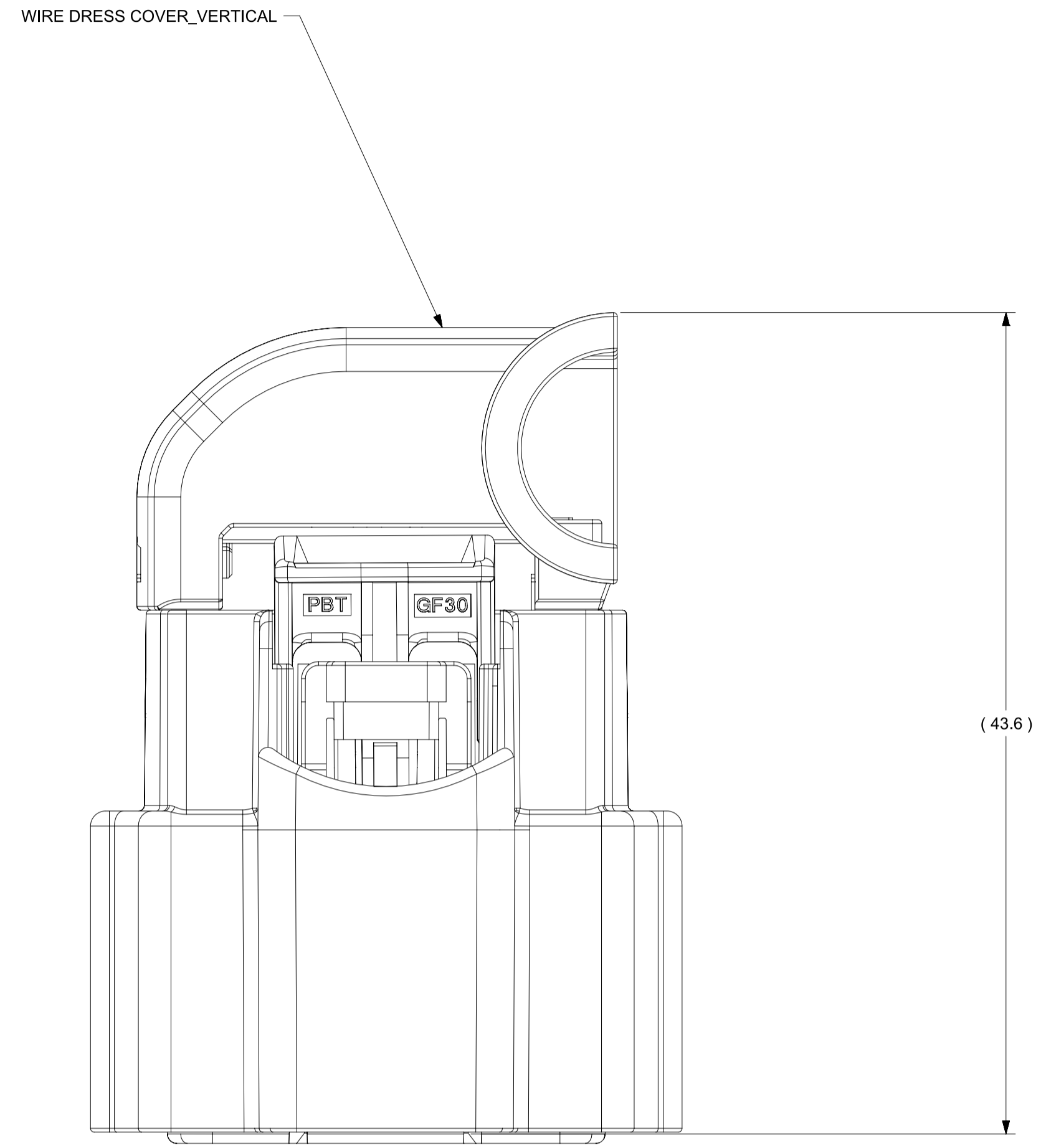
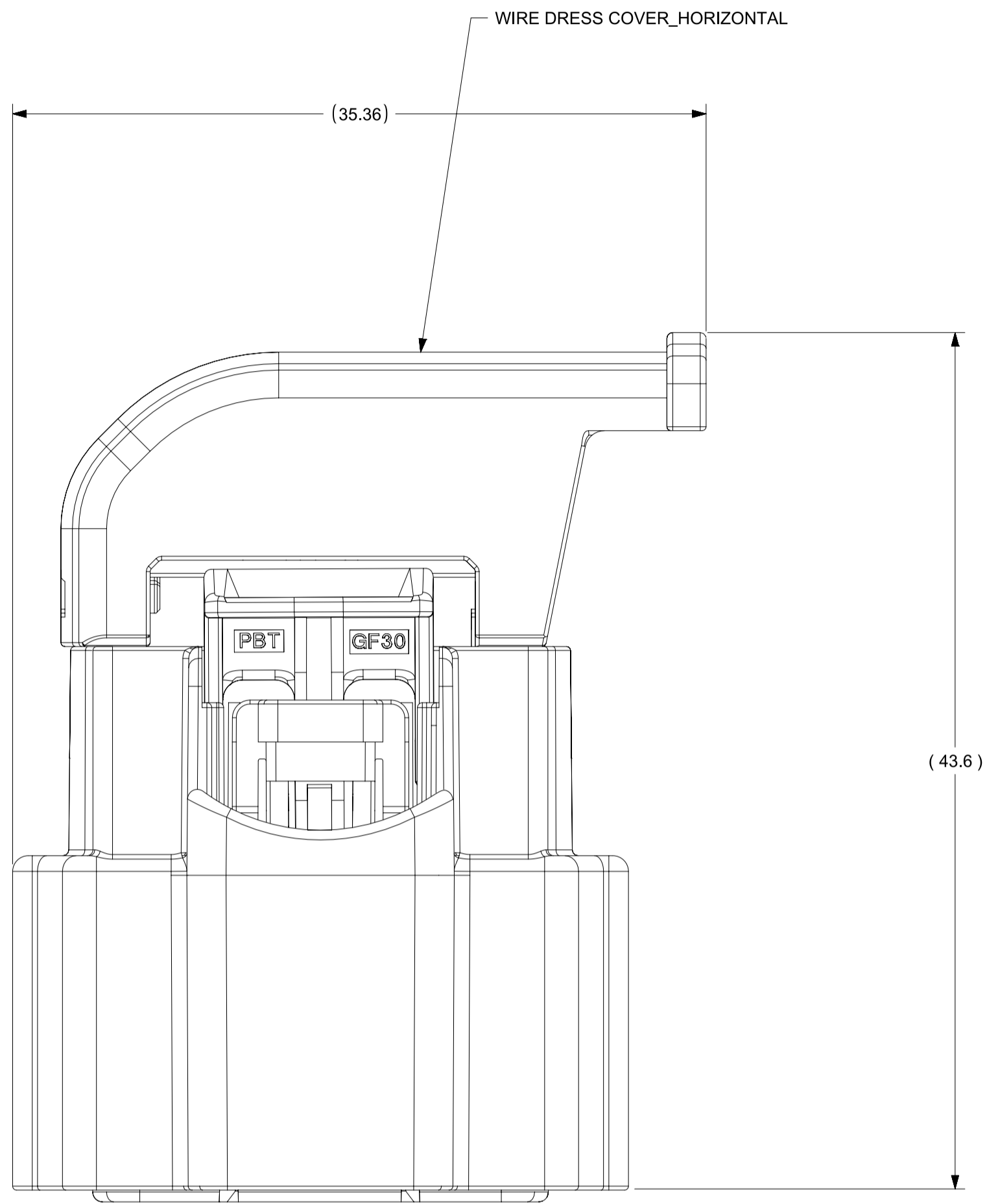
LASER MARKING APPLIED  
TO THIS SURFACE



4  
Ø31.90 MIN.  
PASS THRU. DIA.

SYMBOLS	THIS DRAWING CONTAINS INFORMATION THAT IS PROPRIETARY TO MOLEX ELECTRONIC TECHNOLOGIES, LLC AND SHOULD NOT BE USED WITHOUT WRITTEN PERMISSION		CURRENT REV DESC:						
	DIMENSION UNITS	SCALE							EC NO: CO-000000853
▽ = 0	mm	4:1	GENERAL TOLERANCES (UNLESS SPECIFIED)			PRODUCT SALES DRAWING			
▽ = 0	ANGULAR TOL ± 0.5°		4 PLACES ± 0	CHK'D: Fiona Chen	15-Apr-2022	DOCUMENT NUMBER	DOC TYPE	DOC PART	REVISION
▽ = 0	3 PLACES ± 0		2 PLACES ± 0	APPR: Colin Zhang	20-Apr-2022	SD-31404-811	PSD	001	G12
▽ = 0	2 PLACES ± 0		1 PLACE ± 0	INITIAL REVISION:		MATERIAL NUMBER	CUSTOMER	SHEET NUMBER	
▽ = 0	1 PLACE ± 0		0 PLACES ± 0	DRWN: Yan Allen	14-Feb-2022	31404	GENERAL MARKET	3 OF 4	
▽ = 0	0 PLACES ± 0		DRAFT WHERE APPLICABLE MUST REMAIN WITHIN DIMENSIONS		THIRD ANGLE PROJECTION	DRAWING	SERIES		
▽ = 0						A1-SIZE	31404		

SHEET DESCRIPTION
WIRE DRESS COVER ASSEMBLY



SYMBOLS	THIS DRAWING CONTAINS INFORMATION THAT IS PROPRIETARY TO MOLEX ELECTRONIC TECHNOLOGIES, LLC AND SHOULD NOT BE USED WITHOUT WRITTEN PERMISSION		
	DIMENSION UNITS	SCALE	CURRENT REV DESC:
▽ = 0	mm	4:1	EC NO: CO-000000853 DRWN: Yan Allen 15-Apr-2022 CHK'D: Fiona Chen 15-Apr-2022 APPR: Colin Zhang 20-Apr-2022
▽ = 0	GENERAL TOLERANCES (UNLESS SPECIFIED)		
▽ = 0	ANGULAR TOL ± 0.5°		INITIAL REVISION: DRWN: Yan Allen 14-Feb-2022 APPR: David Xie 24-Feb-2022
▽ = 0	4 PLACES	± 0	
▽ = 0	3 PLACES	± 0	DOCUMENT NUMBER <b>SD-31404-811</b>
▽ = 0	2 PLACES	± 0	
▽ = 0	1 PLACE	± 0	DOC TYPE PSD
☒ = 0	0 PLACES	± 0	DOC PART 001
■ = 0	DRAFT WHERE APPLICABLE MUST REMAIN WITHIN DIMENSIONS		REVISION G12
▽ = 0	THIRD ANGLE PROJECTION	DRAWING	MATERIAL NUMBER
		A1-SIZE	SERIES 31404
			CUSTOMER GENERAL MARKET
			SHEET NUMBER 4 OF 4