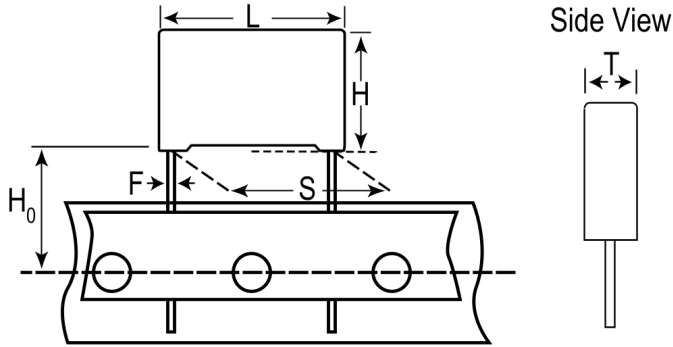


R71XN4220GYH0K

Aliases (71XN4220GYH0K)

R71H, Film, Metallized Polypropylene, Automotive Grade, 2.2 uF, 10%, 450 VDC, 85°C, Lead Spacing = 22.5mm



Click [here](#) for the 3D model.

Dimensions

L	26.5mm +0.3/-0.5mm
H	17mm +0.1/-0.5mm
T	8.5mm +0.2/-0.5mm
S	22.5mm +/-0.4mm
H0	18.5mm +/-0.5mm
F	0.8mm +/-0.05mm

Packaging Specifications

Packaging	T&R
Packaging Quantity	250

General Information

Series	R71H
Dielectric	Metallized Polypropylene
Style	Radial
Features	PFC and Pulse
RoHS	Yes
Lead	Wire Leads
Qualifications	AEC-Q200
AEC-Q200	Yes
Component Weight	4.7 g
Miscellaneous	Above 105C DC And AC Voltage Derating Is 4%/C.

Specifications

Capacitance	2.2 uF
Capacitance Tolerance	10%
Voltage AC	160 VAC
Voltage DC	450 VDC
Temperature Range	-55/+125°C
Rated Temperature	85°C
Dissipation Factor	0.1% 25C
Insulation Resistance	13.6364 GOhms
Max dV/dt	70 V/us
Resistance	23.15 mOhms (100kHz)
Ripple Current	4.743 Amps (100kHz 85C), 154 Amps (Peak)
Inductance	16 nH