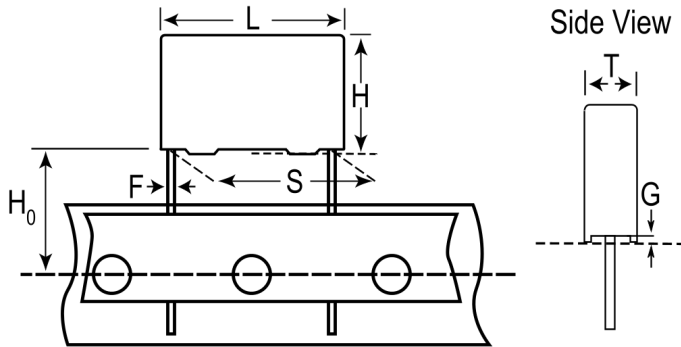


F612AK125K100L

Obsolete

F612, Film, Metallized Polyester Stacked, General Purpose, 1.2 uF, 10%, 100 VDC, 85°C, Lead Spacing = 10mm



Click [here](#) for the 3D model.

Dimensions

L	13mm -0.5mm
H	11mm -0.5mm
T	5mm -0.5mm
S	10mm +/-0.4mm
H ₀	18.5mm +/-0.5mm
F	0.6mm +/-0.05mm
G	0.5mm NOM

Packaging Specifications

Packaging	T&R
Packaging Quantity	600

General Information

Series	F612
Dielectric	Metallized Polyester Stacked
Style	Radial
Features	MKP, Pulse
RoHS	Yes
Lead	Wire Leads
AEC-Q200	No
Miscellaneous	ClimCat: 55/105/56.

Specifications

Capacitance	1.2 uF
Capacitance Tolerance	10%
Voltage AC	63 VAC
Voltage DC	100 VDC, 75 VDC (105C)
Temperature Range	-55/+105°C
Rated Temperature	85°C
Dissipation Factor	1.2% 1kHz
Insulation Resistance	4.167 GOhms
Max dV/dt	75 V/us
Inductance	6 nH