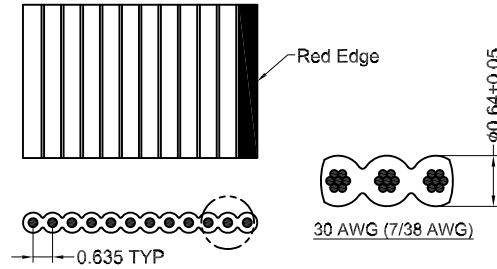
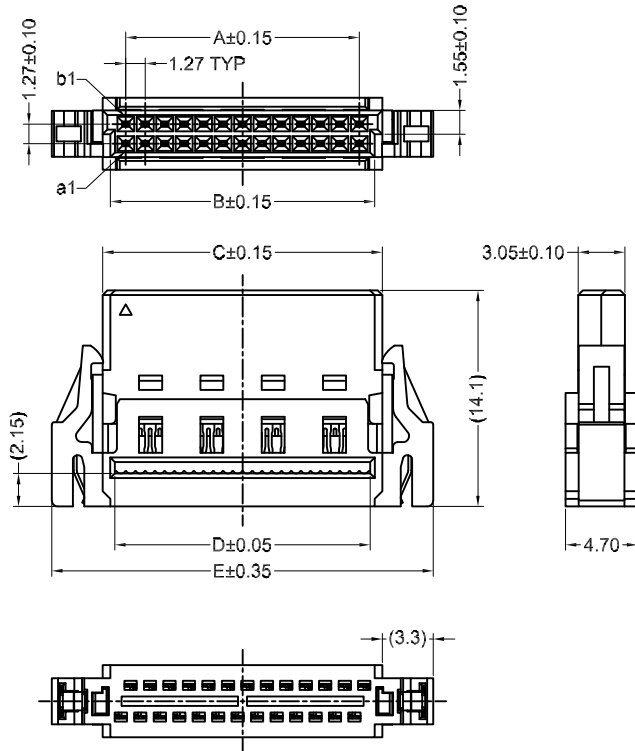
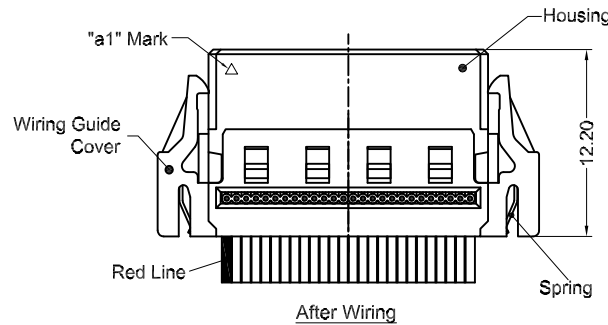


APPROVED: \_\_\_\_\_  
 DATE: \_\_\_\_\_ TITLE: \_\_\_\_\_

Rev	AWO #	Description	Date	Appr
-		RELEASED	11/24/21	
A		ADDED PACKING	12/10/21	WX/RC



RECOMMENDED CABLE DIMENSION



DIM. TABLE

PIN NO.	DIMENSION				
	A	B	C	D	E
12	6.35	8.35	9.35	7.77	16.00
16	8.89	10.89	11.89	10.31	18.54
20	11.43	13.43	14.43	12.85	21.08
26	15.24	17.24	18.24	16.66	24.89
32	19.05	21.05	22.05	20.52	28.70
40	24.13	26.13	27.13	25.60	33.78
50	30.48	32.48	33.48	32.00	40.13
68	41.91	43.91	44.91	43.43	51.56
80	49.53	51.53	52.53	51.15	59.18

**SPECIFICATIONS:**

Material:  
 Housing: Hi-Temp Thermoplastic, UL94V-0  
 Wiring guide cover: Hi-Temp Thermoplastic, UL94V-0  
 Contact: Phosphor Bronze  
 Spring: Stainless  
 Plating:  
 Gold flash over Nickel underplate on contact area  
 Tin over Nickel underplate on solder tails  
 Environmental:  
 Lead free, RoHS compliant



UNLESS OTHERWISE SPECIFIED ALL DIMENSIONS ARE MILLIMETERS [INCH]. TOLERANCES: EXCEPT AS NOTED

MM	ANGLE
.X ± .35	.X ± 2°
.XX ± .020	
.XXX ± .015	

DRAWN	WX	11/24/21
CHECKED	RC	11/24/21
APPROVED		

THIS DRAWING CONTAINS INFORMATION THAT IS PROPRIETARY AND SHOULD NOT BE USED WITHOUT PRIOR WRITTEN PERMISSION FROM ADAM TECH



909 Rahway Avenue,  
 Union, NJ 07083  
 Phone: 908-687-5000  
 Fax: 908-687-5710

TITLE: .050 [1.27] PITCH SMC FEMALE CONNECTOR  
 IDC TYPE, W/LATCH, SEL GOLD PLATED

SIZE	PART NO.	REV.
X	ESMC-F-XX-SGS-14.10-IDC-L	A
REF: S00242T	SCALE: NTS	SHEET 1 OF 3

6

5

4

3

2

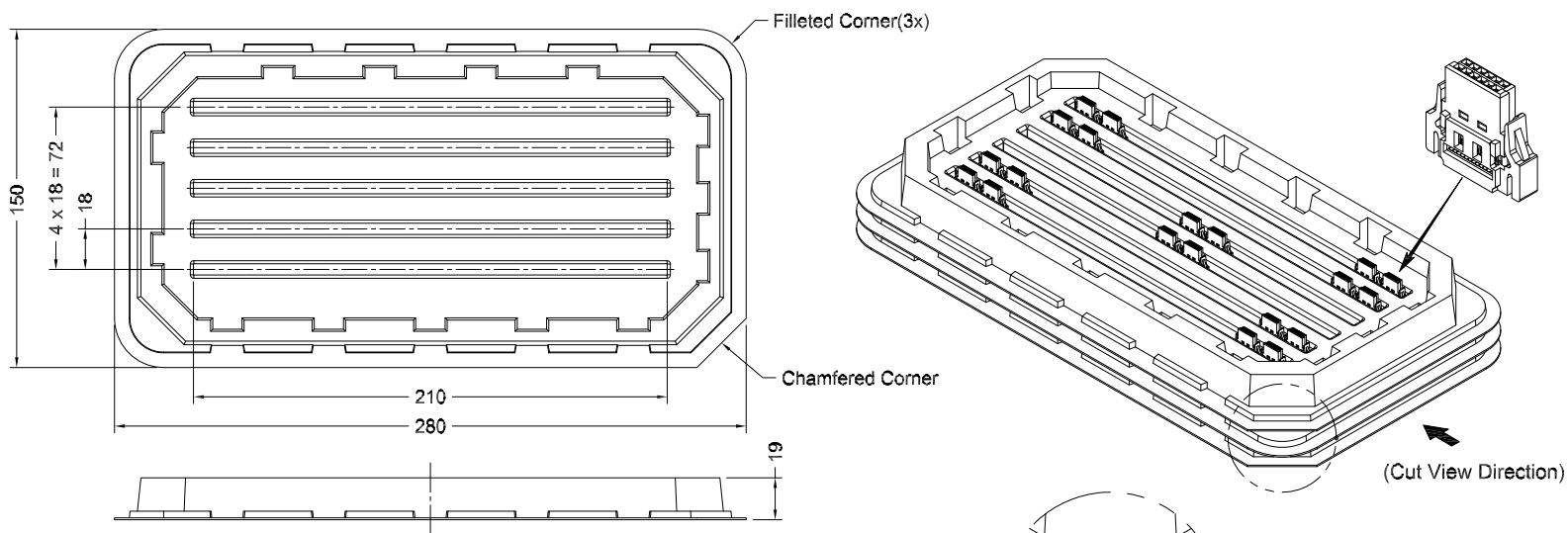
1

APPROVED: \_\_\_\_\_

DATE: \_\_\_\_\_ TITLE: \_\_\_\_\_

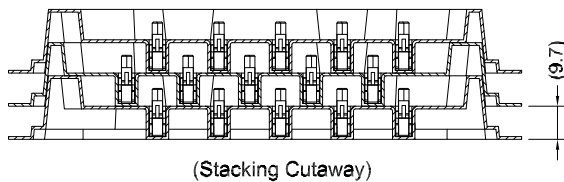
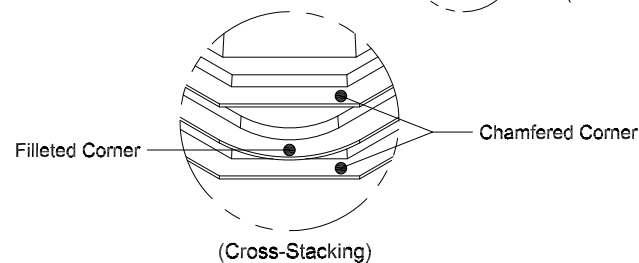
Rev	AWO #	Description	Date	Appr
-----	-------	-------------	------	------

SEE SHT 1 OF 3 FOR REVISION



Packing List

Item	pcs per row	pcs per tray	pcs per box	pcs per carton
ESMC-F-12-SGS-14.10-IDC-L	12	60	780	1560
ESMC-F-16-SGS-14.10-IDC-L	11	55	715	1430
ESMC-F-20-SGS-14.10-IDC-L	9	45	585	1170
ESMC-F-26-SGS-14.10-IDC-L	8	40	520	1040
ESMC-F-32-SGS-14.10-IDC-L	7	35	455	910
ESMC-F-40-SGS-14.10-IDC-L	6	30	390	780
ESMC-F-50-SGS-14.10-IDC-L	5	25	325	650
ESMC-F-68-SGS-14.10-IDC-L	4	20	260	520
ESMC-F-80-SGS-14.10-IDC-L	3	15	195	390



NOTE

Material: PS  
Color: Ivory

UNLESS OTHERWISE SPECIFIED ALL DIMENSIONS ARE MILLIMETERS [INCH]. TOLERANCES: EXCEPT AS NOTED			<b>ADAM TECH</b> 909 Rahway Avenue, Union, NJ 07083 Phone: 908-687-5000 Fax: 908-687-5710
MM	± .35	ANGLE	
.X	± .020	.X	± 2°
.XX	± .015		
.XXX			
DRAWN	WX	11/24/21	TITLE: .050 [1.27] PITCH SMC FEMALE CONNECTOR IDC TYPE, W/LATCH, SEL GOLD PLATED
CHECKED	RC	11/24/21	
APPROVED			
THIS DRAWING CONTAINS INFORMATION THAT IS PROPRIETARY AND SHOULD NOT BE USED WITHOUT PRIOR WRITTEN PERMISSION FROM ADAM TECH			SIZE: X PART NO.: <b>ESMC-F-XX-SGS-14.10-IDC-L</b> REF: S00242T SCALE: NTS SHEET 2 OF 3
			REV: A

6

5

4

3

2

1

6

5

4

3

2

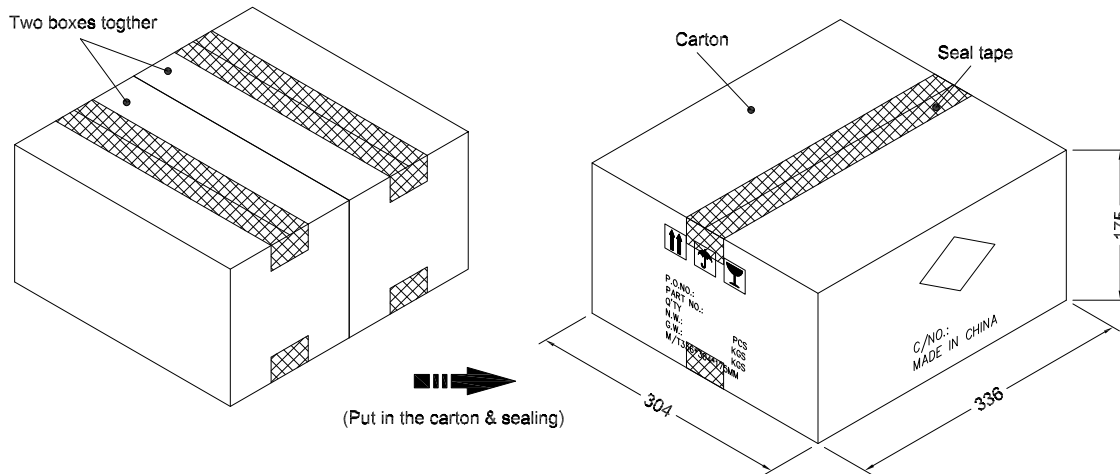
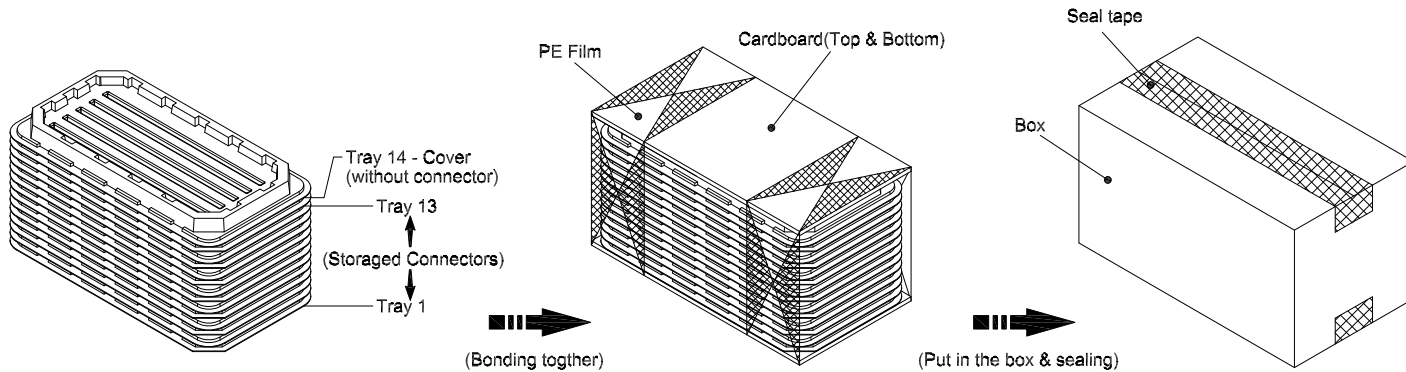
1

APPROVED: \_\_\_\_\_

DATE: \_\_\_\_\_ TITLE: \_\_\_\_\_

Rev	AWO #	Description	Date	Appr
-----	-------	-------------	------	------

SEE SHT 1 OF 3 FOR REVISION



UNLESS OTHERWISE SPECIFIED ALL DIMENSIONS ARE MILLIMETERS [INCH]. TOLERANCES: EXCEPT AS NOTED

MM	ANGLE
.X ± .35	.X ± 2°
.XX ± .020	
.XXX ± .015	

DRAWN	WX	11/24/21
CHECKED	RC	11/24/21
APPROVED		

THIS DRAWING CONTAINS INFORMATION THAT IS PROPRIETARY AND SHOULD NOT BE USED WITHOUT PRIOR WRITTEN PERMISSION FROM ADAM TECH

**ADAM TECH**

909 Rahway Avenue,  
Union, NJ 07083  
Phone: 908-687-5000  
Fax: 908-687-5710

TITLE: .050 [1.27] PITCH SMC FEMALE CONNECTOR  
IDC TYPE, W/LATCH, SEL GOLD PLATED

SIZE	PART NO.	REV.
X	ESMC-F-XX-SGS-14.10-IDC-L	A

REF: S00242T    SCALE: NTS    SHEET 3 OF 3

6

5

4

3

2

1

D

D

C

C

B

B

A

A