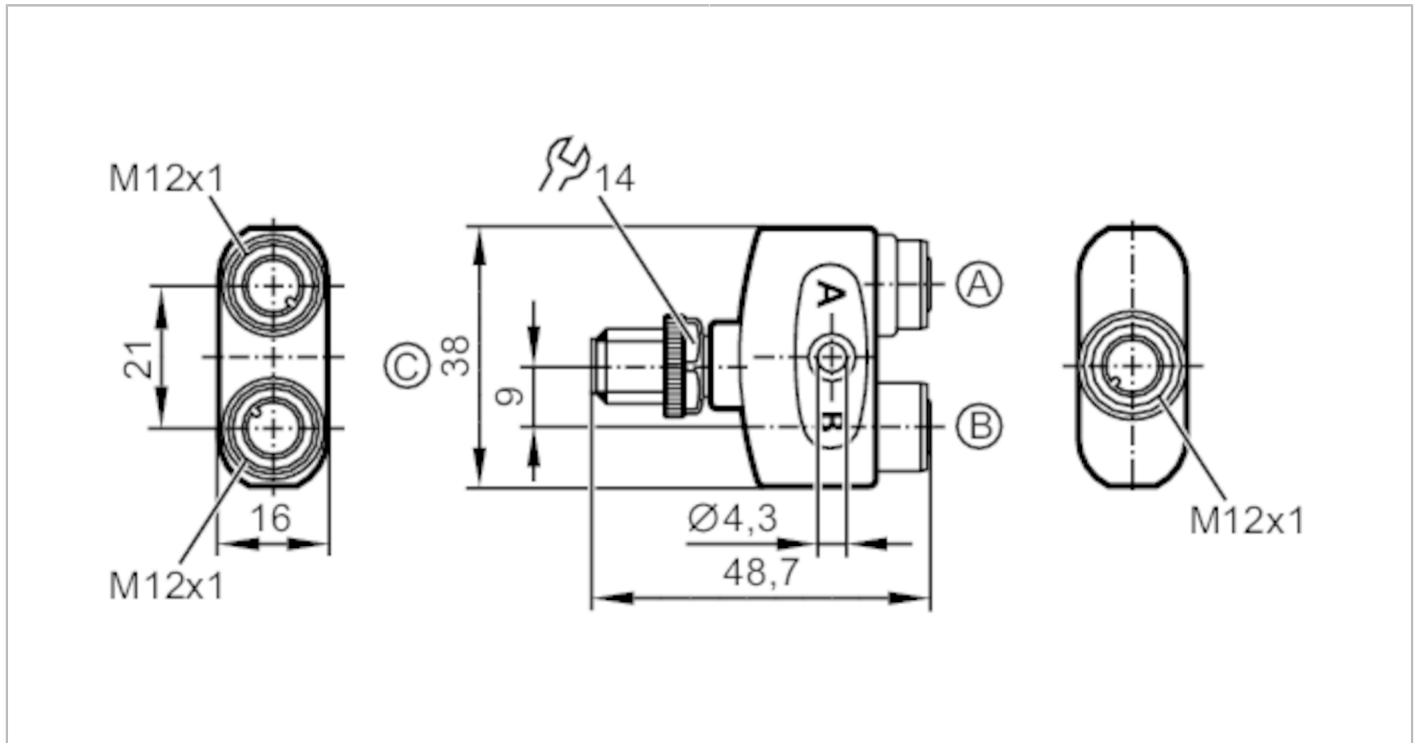


EBC113



Y-splitter

ZDO2H030MSS0000-00STGH040MSS



| Application | |
|---|---|
| Special feature | Free from silicone; Gold-plated contacts |
| Free from silicone | yes |
| Electrical data | |
| Operating voltage [V] | < 250 AC / < 300 DC; (cULus: 30 AC / 42 DC) |
| Protection class | II |
| Max. current load per module/slot [A] | 4 |
| Max. current load total [A] | 4 |
| Operating conditions | |
| Ambient temperature [°C] | -25...90 |
| Note on ambient temperature | cULus: ...65 °C |
| Storage temperature [°C] | -25...55 |
| Storage humidity [%] | 10...100 |
| Other climatic conditions for storage according to stated class | 1K22/ DIN 60721-3-1 |
| Protection | IP 65; IP 67; IP 68; IP 69K |
| Mechanical data | |
| Weight [g] | 36 |
| Materials | housing: PA orange; Sealing: FKM |
| Material nut | brass, nickel-plated |
| Remarks | |
| Pack quantity | 1 pcs. |

EBC113

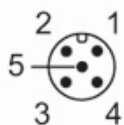


Y-splitter

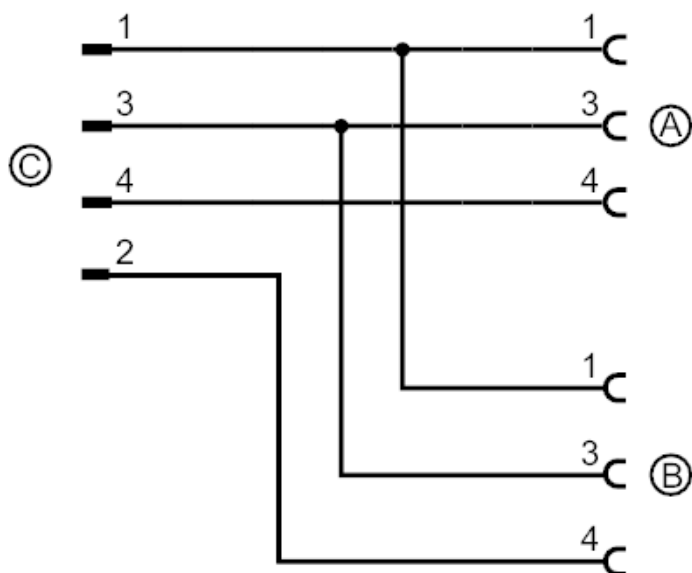
ZDO2H030MSS0000-00STGH040MSS

Electrical connection - plug

Connector: 1 x M12; Locking: brass, nickel-plated; Contacts: gold-plated; Tightening torque: 0.6...1.5 Nm



Connection



Electrical connection - socket

Connector: 2 x M12; Locking: brass, nickel-plated; Contacts: gold-plated; Tightening torque: 0.6...1.5 Nm

