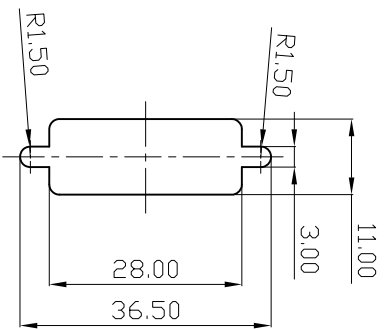
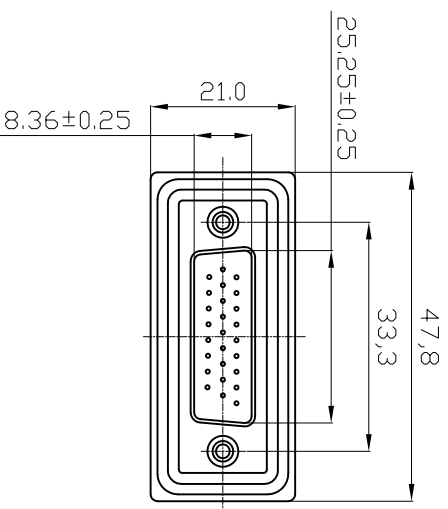
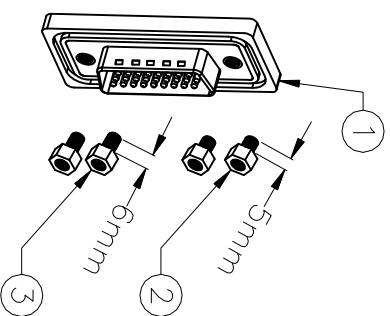
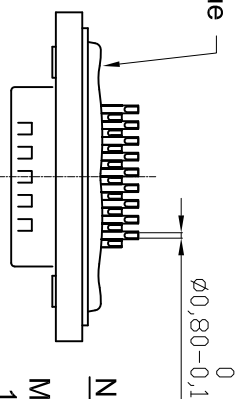
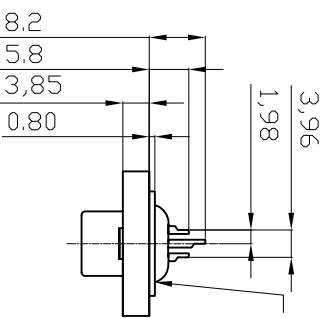


Panel Thickness
Screw L=5.0 For Panel Thickness
Under 1.2mm
Screw L=6.0 For Panel Thickness
Between 1.2-2.0mm



Recommended Panel Cut-Out



NOTES:

MATERIAL

1. Insulator Material: Black, NYLON+G/F
2. Contact Material : Copper Alloy
3. Plating : Gold Plating
4. Waterproof Rate: IP67
5. Do Mating Test After Glued
6. Applicable Wire Range: 24AWG-28AWG

RoHS compliant

Scale	1:1
TOLERANCE	
X.X	±0.25
X.XX	±0.10
X.XXX	±0.05
DIM	TOL
ANGLE	±1°
X.X°	±X°
Angle	TOL
Id.	Modification
①	Drawn
②	Cancel LOGO
③	
Date	Name
30.12.2008	JACK
24.01.2018	Tom
Date	Name
30.12.2008	JACK
24.01.2018	Amy



Customer-No.

ASSMANN WSW-No.
A-HDS 26 LL-WP

Drawing-No.

ASS 3281 CO rev02

Replace

Sheet

1	2	3	4	5	6	7
H	G	F	E	D	C	B