

1

2

3

4

5

6

7

A

B

C

D

E

F

G

H

A

B

C

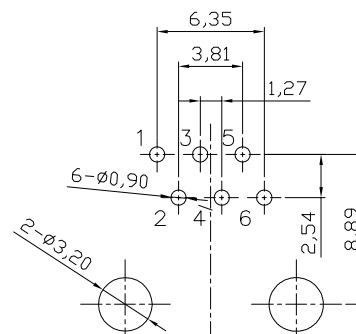
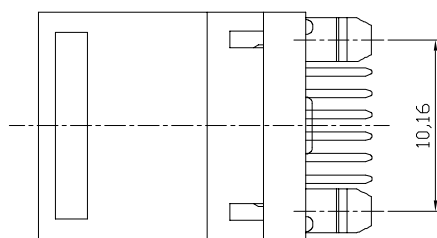
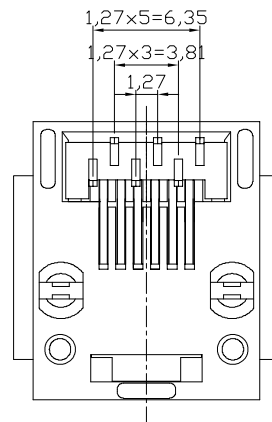
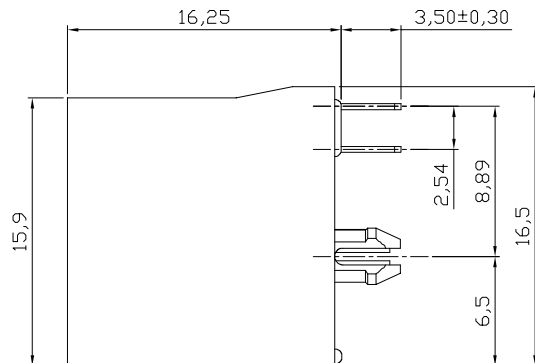
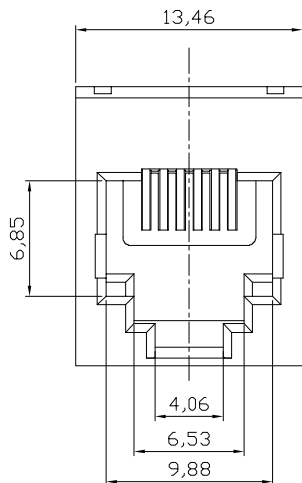
D

E

F

G

H



PC Board Layout
Component Side Shown

NOTES:

Mechanical:

- ① 1. Housing&Insert material : Glass Filled Polyester UL94V-0, Color: Black
2. Contact material: Phosphor Bronze t=0,35mm
3. Contact plating: Contact area---See order code
100~200u" Tin on solder area
all over 30~50u" Nickel
4. Operating Life: 750 Cycles min.
5. PCB Retention Pre-solder: 1 LB min.
6. PCB Retention Post-solder: 10 LBS min.

Electrical:

1. Voltage Rating: 125VAC.
2. Current Rating: 1.5AMP.
3. Contact Resistance: 30mΩ max.
4. Insulation Resistance: 1000MΩ min. @ 500 VDC
5. Dielectric Strength: 750 VAC 50Hz, 1 min.

Environmental:

1. Storage: -40°C To +85°C
2. Operation: -40°C~+85°C
3. Wave Soldering Temp: 200~220°C(5~10S)

Packing: Tray

Order code: A-2014-1-X-N-T

Contact plating:
1: 15u" gold
2: 30u" gold
3: 50u" gold
4: 6u" gold

RoHS compliant
Unit:mm

Scale	Free				Date	Name	Customer-No.
TOLERANCE				Drawn	27.05.2013	Amy	
X.X	±0.20			Approved	24.11.2015	Amy	ASSMANN WSW-No.
X.XX	±0.15						A-2014-1-X-N-T
X.XXX	±0.10						
DIM	TOL	①	Change the integrated part into assemble part version	24.11.2015	Amy	Drawing-No.	
		②	Drawn	27.05.2013	Amy	ASS 5702 CO	rev01
Angle	±5°	Id.	Modification	Date	Name	Replace	SHEET

ASSMANN
WSW components

1

2

3

4

5

6

7