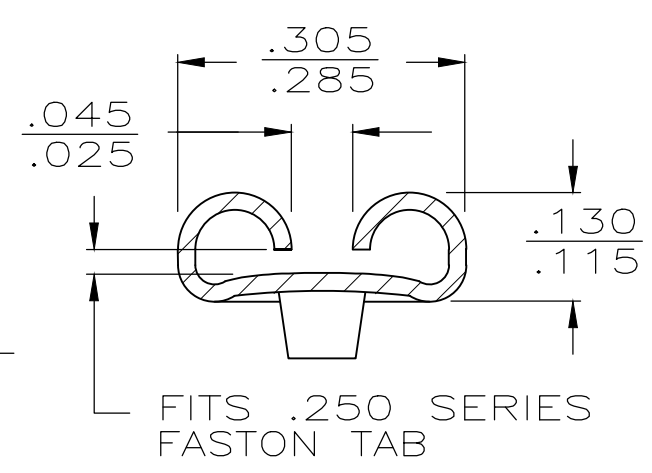
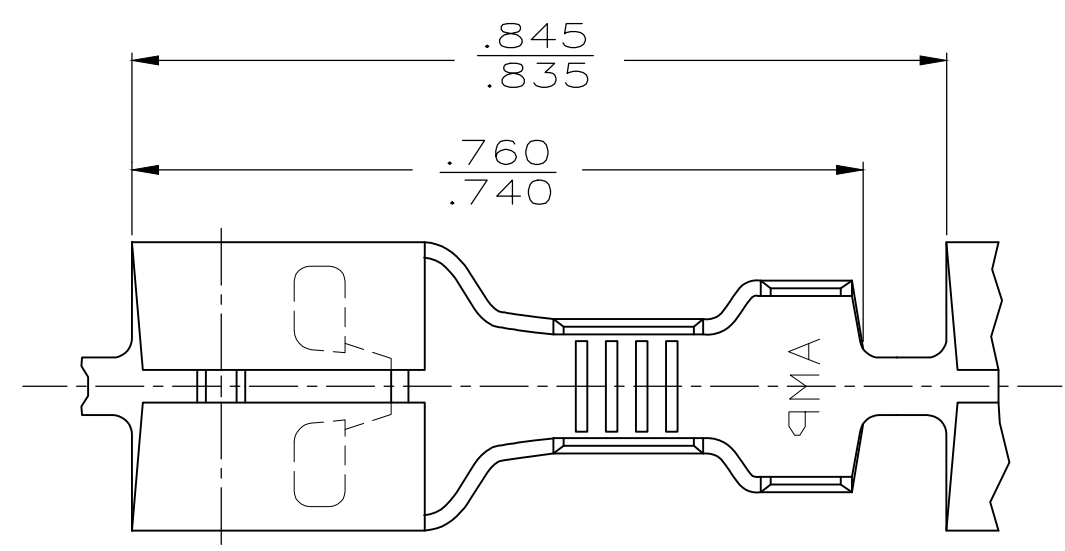


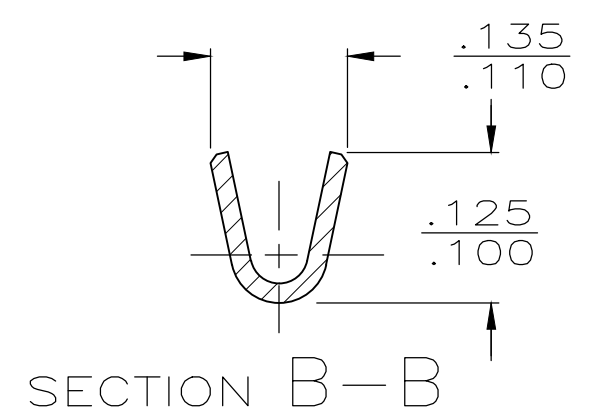
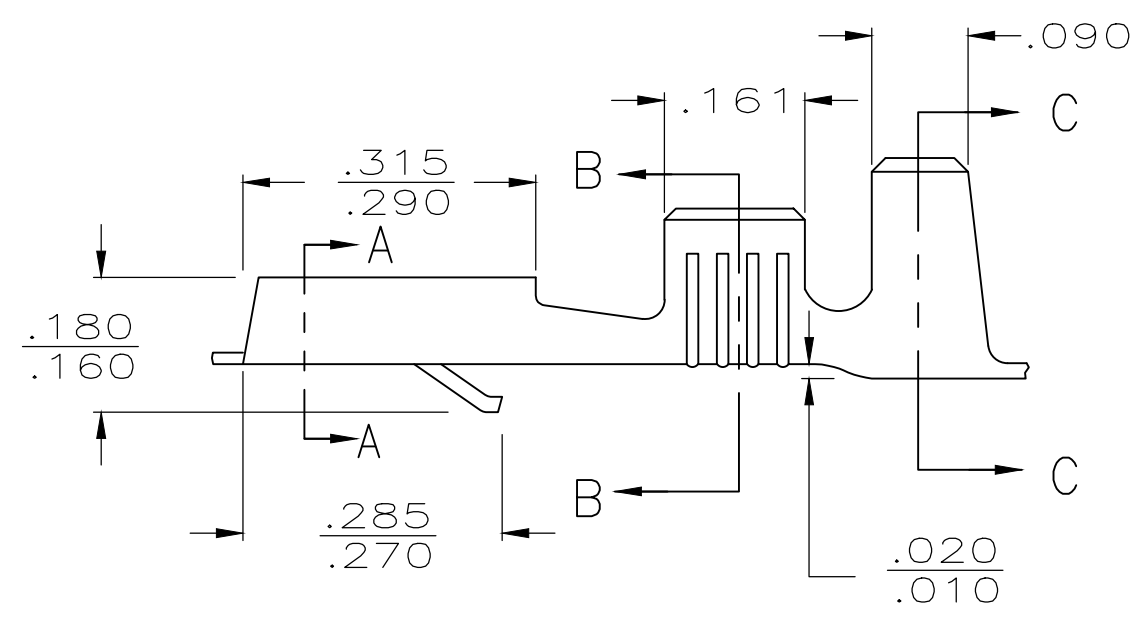
THIS DRAWING IS UNPUBLISHED. RELEASED FOR PUBLICATION
 © COPYRIGHT - By - ALL RIGHTS RESERVED.

LOC	DIST	REVISIONS					
AF	50	P	LTR	DESCRIPTION	DATE	DWN	APVD
		AD1		REVISED PER ECR-20-005366	19MAY2020	SS	DL

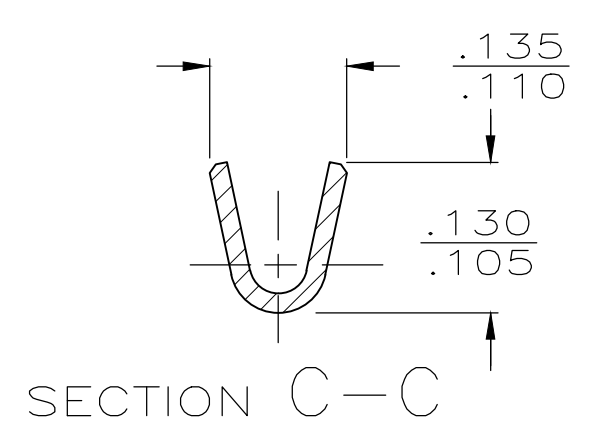


SECTION A-A

- 1 CONTINUOUS STRIP ON REELS.
- 2 REELED WITH INTERLEAVING PAPER.
- 3 OBSOLETE PART



SECTION B-B



SECTION C-C

3	TIN	.060-.100	22-18	.032 ±.001	2	60413-3
	-	.060-.100	22-18	.032 ±.001		60413-2
	TIN	.060-.100	22-18	.032 ±.001		60413-1
	FINISH	INSULATION RANGE	WIRE SIZE	TAB THK		PART NO.

THIS DRAWING IS A CONTROLLED DOCUMENT.		DWN JR RUTH 28APR86	TE Connectivity			
DIMENSIONS: INCHES		CHK M FEHER 30APR86				
TOLERANCES UNLESS OTHERWISE SPECIFIED:		APVD C MEYERS 15AUG86	NAME .250 SERIES FASTON - FASTON RECEPTACLE			
0 PLC ± - 1 PLC ± - 2 PLC ± - 3 PLC ± .015 4 PLC ± - ANGLES ± -		PRODUCT SPEC -	APPLICATION SPEC -		SIZE A3	CAGE CODE 00779
MATERIAL BRASS		FINISH SEE ABOVE	WEIGHT -		DRAWING NO C-60413	RESTRICTED TO -
CUSTOMER DRAWING			SCALE 5:1	SHEET 1 OF 1	REV AD1	