



DC-40 GHz

Broadband Phase Shifters

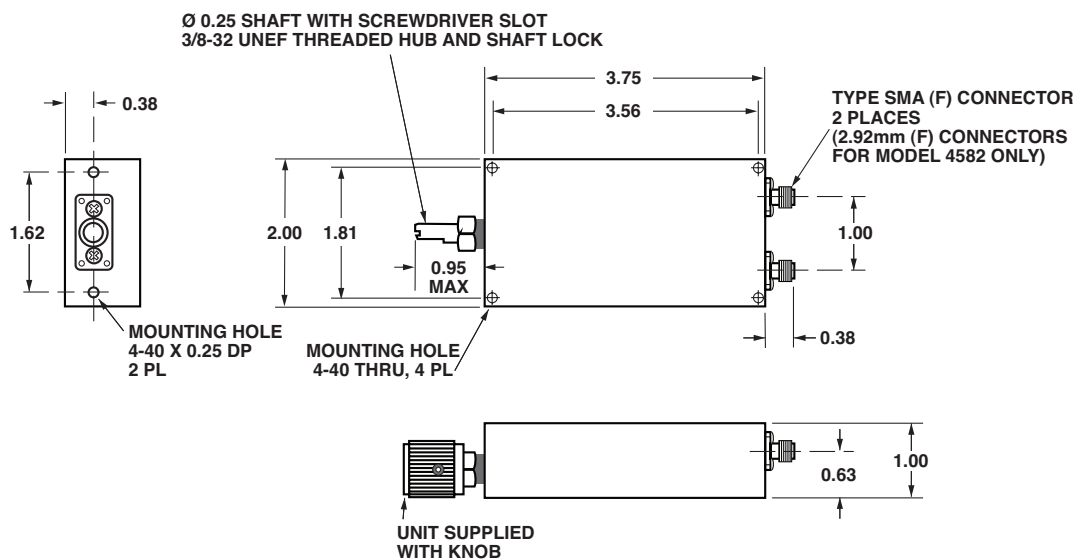
- Broadband Coverage
- Low VSWR
- Adjustable via Knob with Lock Nut

Specifications

SMA (F) and 2.92 mm (F), DC to 40 GHz

FREQUENCY RANGE (GHz)	MODEL	ADJUSTABLE PHASE SHIFT	POWER		INSERTION LOSS (dB max.)	VSWR (max.)	CONNECTORS	WEIGHT (max.)	
			AVERAGE (W)	PEAK (kW)				oz.	gr.
DC-18.6	4579	0-30° / GHz	100	3	1.0	1.6	SMA (F)	10.8	306
DC-26.5	4580	0-30° / GHz	100	3	1.5	2.0	SMA (F)	10.8	306
18.0-26.5	4581	0-360°	100	3	1.5	1.8	SMA (F)	10.8	306
18.0-40.0	4582	0-360°	100	3	2.5	2.0	2.92 mm (F)	10.8	306

Outline Drawing



Dimensions in inches, unless otherwise specified.