

THIS DRAWING IS UNPUBLISHED. RELEASED FOR PUBLICATION
 © COPYRIGHT - by - ALL RIGHTS RESERVED.

LOC		DIST		REVISIONS			
P	LTR	DESCRIPTION	DATE	DWN	APVD		
-	-	-	-	-	-		

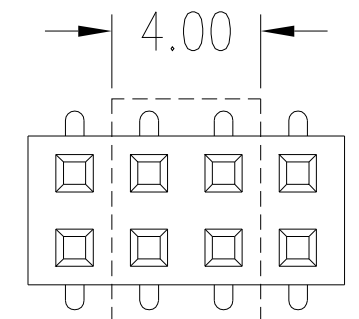
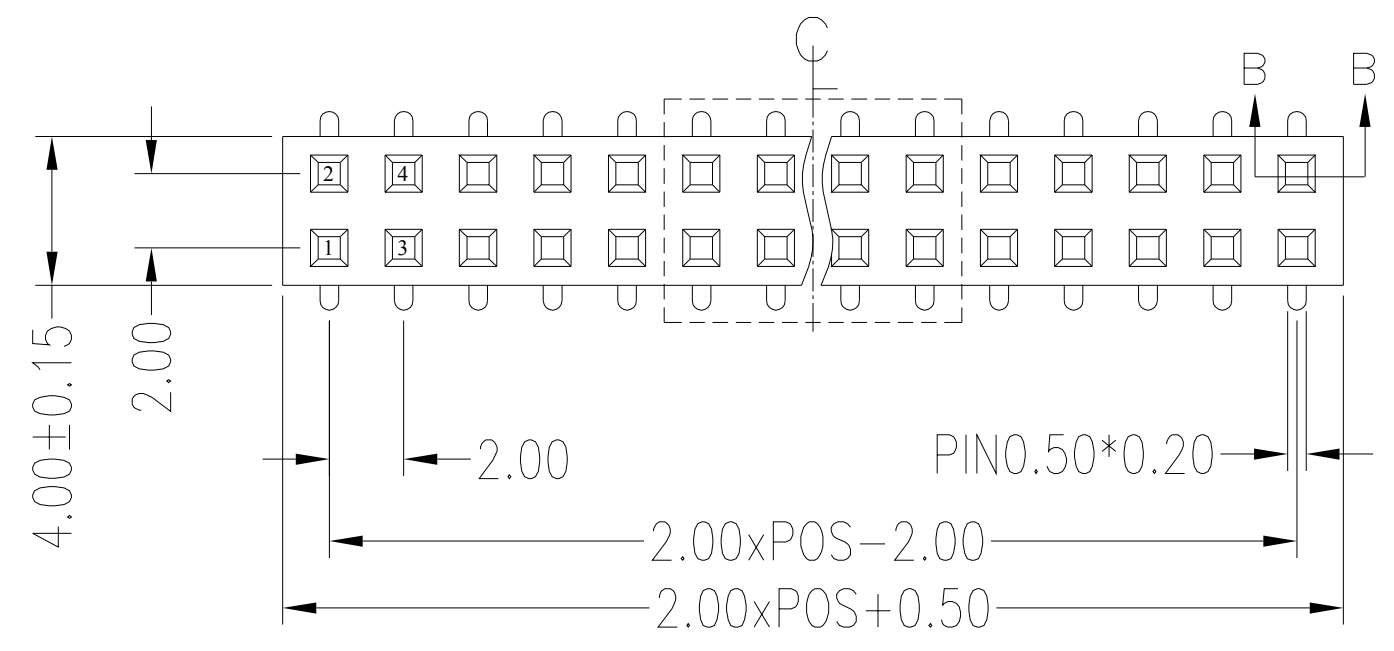
Product Specification:
 Rated Current: 2.0AMP.
 Contact Resistance: 20mΩ Max.
 Withstand Voltage: 500V AC/DC
 Insulation Resistance: 1000MΩ Min.
 Operation Temperature: -40°C to +105°C
 Recommended soldering process:
 Lead free reflow soldering 240°C(peak temperature)

Contact Material: Phosphor Bronze
 Contact Plating: See product family table
 Insulator Material: See product family table

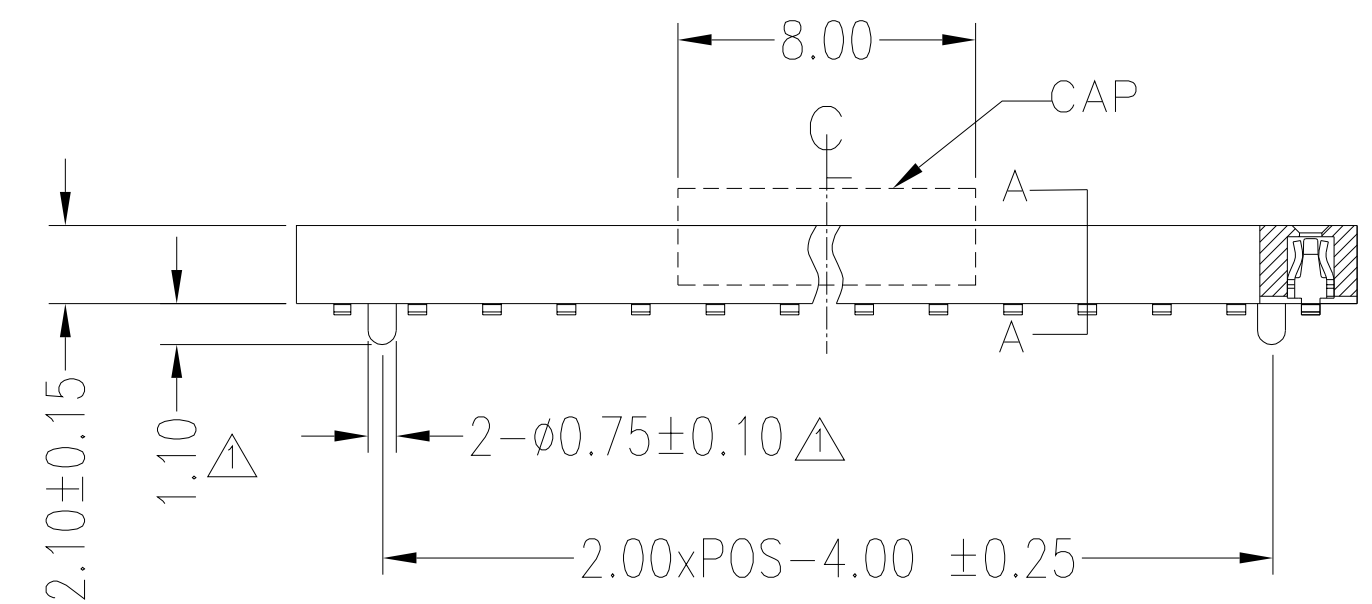
No. of pins available:
 4~80

Contact Plating Coding:
 G1=3u"Gold overall with Nickel underplating

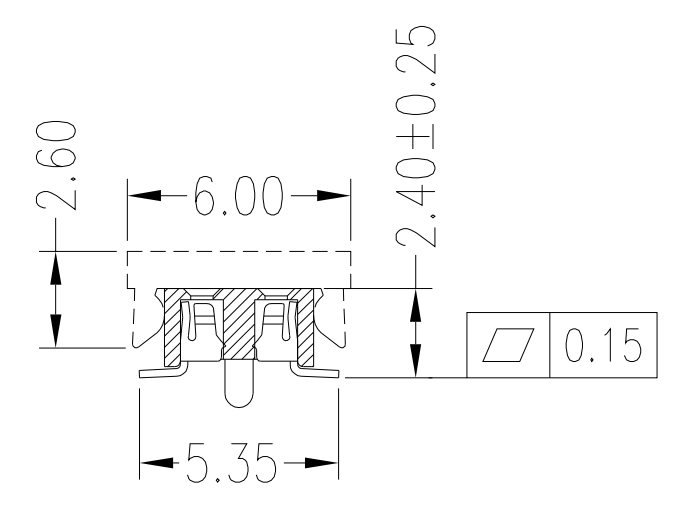
Notes:
 ⚠ PN2271237-4 do not have alignment pins.



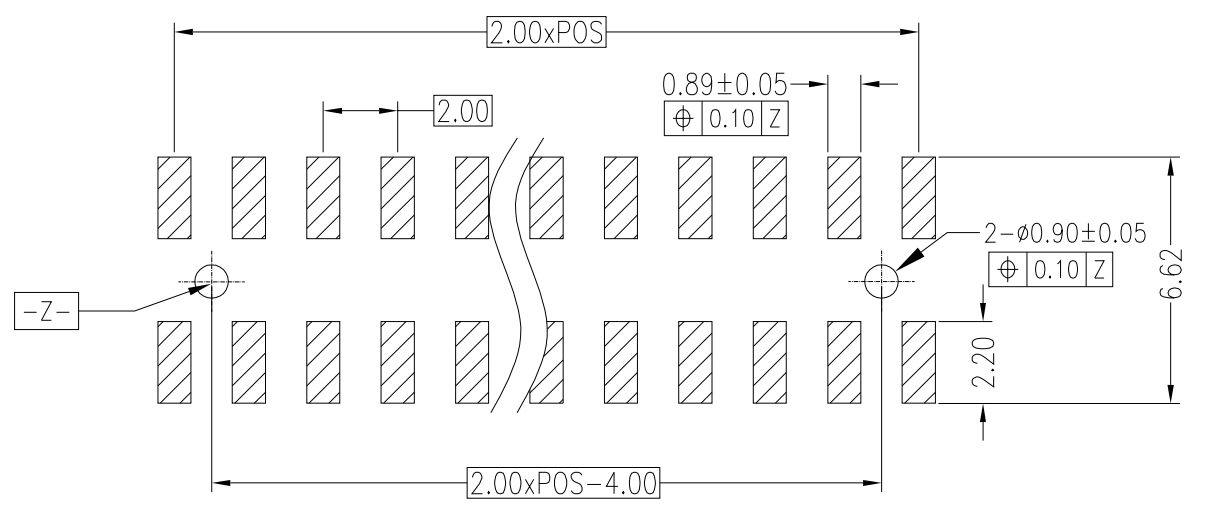
2*2P ~ 2*4P



SECTION B-B



SECTION A-A



Recommended P.C.B Layout(Top Side)

				64	32	6-2271237-4
				60	30	6-2271237-0
				50	25	5-2271237-0
				44	22	4-2271237-4
				40	20	4-2271237-0
				36	18	3-2271237-6
				30	15	3-2271237-0
				25	12	2-2271237-4
				20	10	2-2271237-0
				16	8	1-2271237-6
				12	6	1-2271237-2
				10	5	1-2271237-0
				8	4	2271237-8
				6	3	2271237-6
				4	2	2271237-4
⚠ TAPE&REEL+CAP	G1	PA9T+30%G.F UL94V-0 BK				
PACKAGING	FINISH	INSULATING MATERIAL	No. of Pins	POS	PN	

PRODUCT FAMILY TABLE

THIS DRAWING IS A CONTROLLED DOCUMENT.		DWN ETHAN CHENG 11-AUG-2014	TE Connectivity	
DIMENSIONS: mm		CHK KOBBOY ZHAO 12-AUG-2014	NAME	
TOLERANCES UNLESS OTHERWISE SPECIFIED:		APVD XU XIANG 13-AUG-2014	AMPMODU, REC HDR, 2.00PITCH, 2 ROW, SMT, H=2.1,BOTTOM ENTRY	
0 PLC ± -		PRODUCT SPEC	SIZE	CAGE CODE
1 PLC ± -		108-137777	A2	00779
2 PLC ± 0.25		APPLICATION SPEC	DRAWING NO	RESTRICTED TO
3 PLC ± -			©= 2271237	-
4 PLC ± -			SCALE	SHEET
ANGLES ± -			CUSTOMER DRAWING	1 of 1
FINISH				REV A1
SEE NOTES				