

Feed-through header - PCV 6-16/ 5-GF-10,16 - 1922598

Please be informed that the data shown in this PDF Document is generated from our Online Catalog. Please find the complete data in the user's documentation. Our General Terms of Use for Downloads are valid (<http://phoenixcontact.com/download>)



PCB headers, nominal current: 76 A, number of positions: 5, pitch: 10.16 mm, color: green, contact surface: Silver, mounting: Wave soldering. The nominal current of 76 A applies in connection with connectors from the PC 16 family. 41 A are reached in connection with PC 6 connectors (50 A in accordance with UL).


The figure shows a 6-position version

Your advantages

- Well-known mounting principle allows worldwide use
- Screwable flange for superior mechanical stability
- Maximum flexibility when it comes to device design – one header for connectors with different connection technologies



Key Commercial Data

Packing unit	50 pc
GTIN	 4 017918 727024
GTIN	4017918727024

Technical data

Dimensions

Length [l]	13.4 mm
Width	68.56 mm
Pitch	10.16 mm
Dimension a	40.64 mm
Width [w]	68.56 mm
Height [h]	33 mm
Height	29 mm
Length of the solder pin	4 mm
Pin dimensions	0.8 x 1.2 mm
Length	13.4 mm

General

Feed-through header - PCV 6-16/ 5-GF-10,16 - 1922598

Technical data

General

Range of articles	PCV 6-16/...-GF
Color	green
Number of positions	5

Standards and Regulations

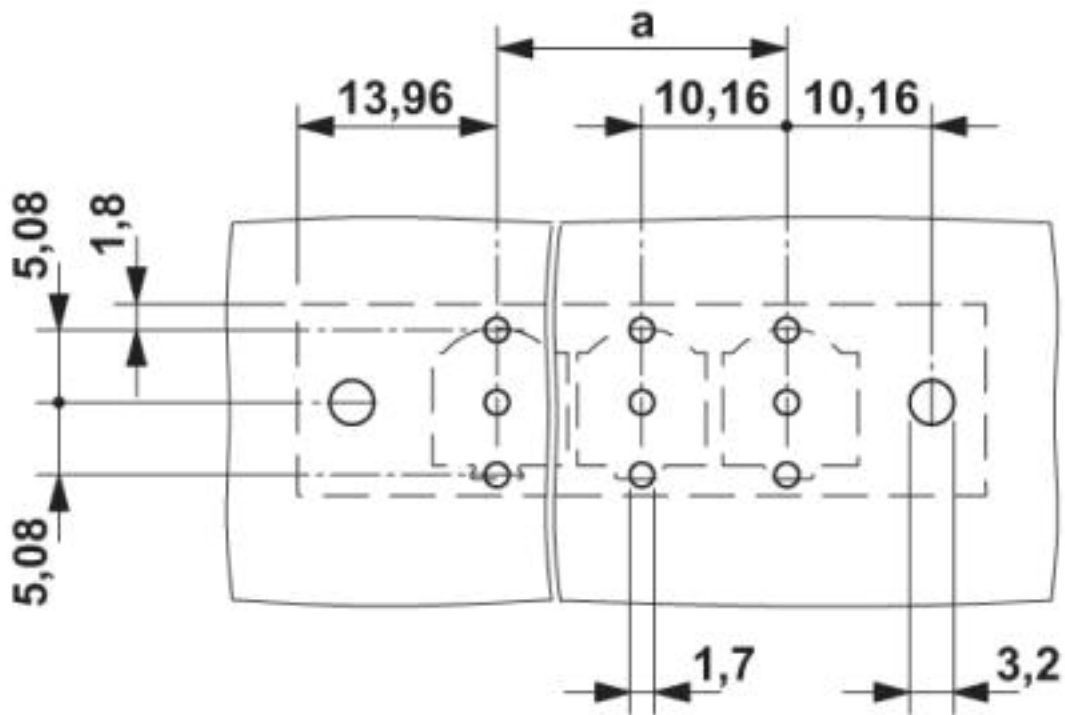
Connection in acc. with standard	CUL
----------------------------------	-----

Environmental Product Compliance

China RoHS	Environmentally friendly use period: unlimited = EFUP-e
	No hazardous substances above threshold values

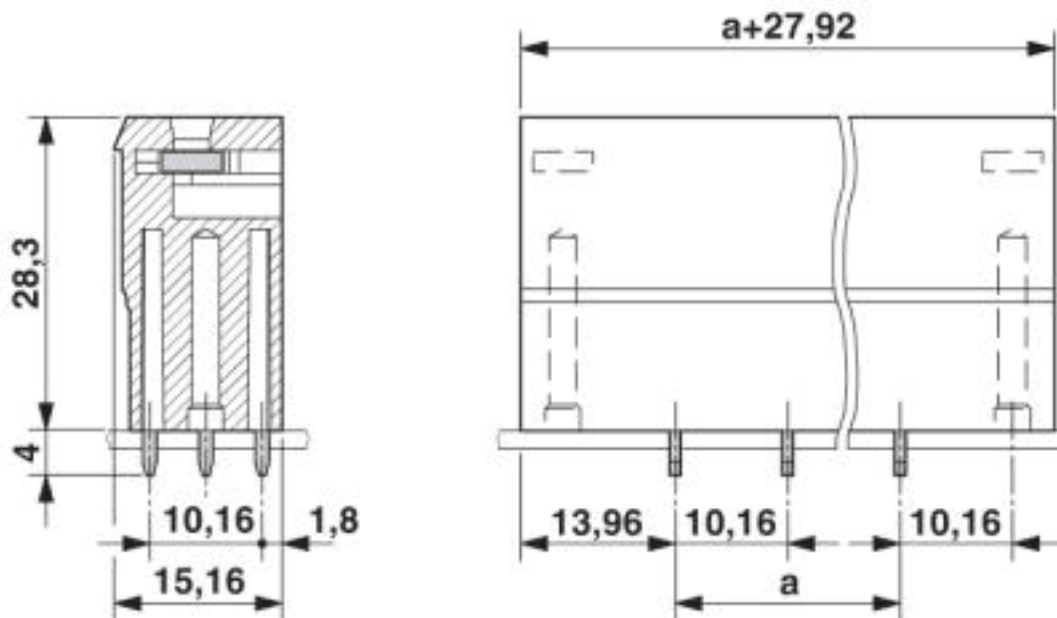
Drawings

Drilling diagram



Feed-through header - PCV 6-16/ 5-GF-10,16 - 1922598

Dimensional drawing



Approvals

Approvals

Approvals

IECEE CB Scheme / SEV / EAC / cULus Recognized

Ex Approvals

Approval details

IECEE CB Scheme		http://www.iecee.org/	CH-8077
Nominal voltage UN	1000 V		
Nominal current IN	76 A		


SEV		https://www.electrosuisse.ch/de/meta/shop/produktezertifikate.html	IK-3431
Nominal voltage UN	1000 V		

Feed-through header - PCV 6-16/ 5-GF-10,16 - 1922598

Approvals

Nominal current I _N	76 A
--------------------------------	------

EAC		B.01742
-----	---	---------

cULus Recognized		http://database.ul.com/cgi-bin/XYV/template/LISEXT/1FRAME/index.htm	E60425-20040202
	B	C	D
Nominal voltage U _N	300 V	300 V	600 V
Nominal current I _N	66 A	66 A	5 A

Phoenix Contact 2019 © - all rights reserved
<http://www.phoenixcontact.com>

PHOENIX CONTACT GmbH & Co. KG
 Flachsmarktstr. 8
 32825 Blomberg
 Germany
 Tel. +49 5235 300
 Fax +49 5235 3 41200
<http://www.phoenixcontact.com>