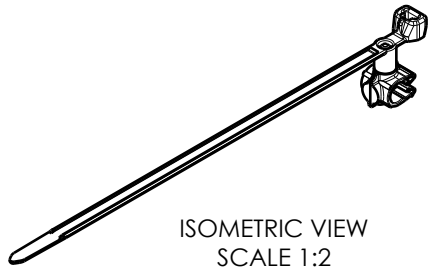
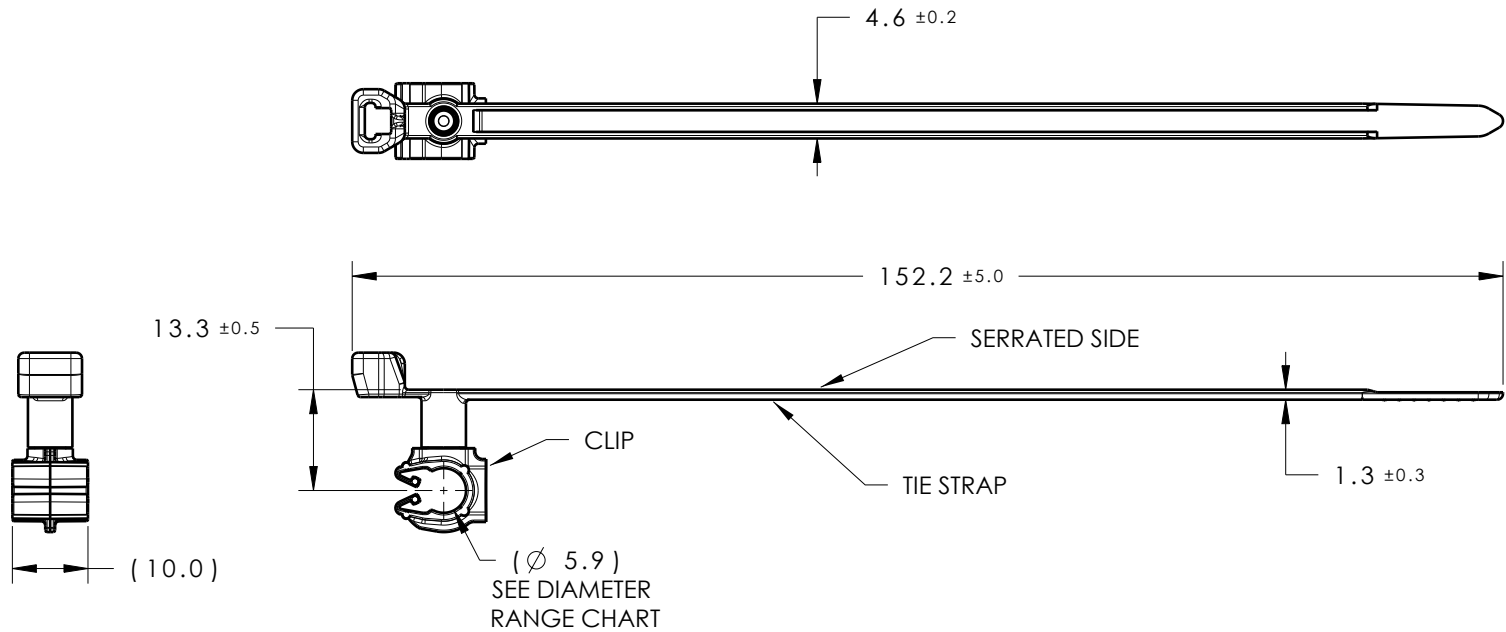


Revision Level			Revision Record	Changed	Date	Approved	Date
Drawing	State	Part					
01.1	Design Release	-	SEE ECN# 015959	EJF	6/16/2020	CJR	6/16/2020



TYPE	SUGGESTED DIAMETER RANGE*
HARNESS	5.5MM - 6.5MM
HOSE	5.5MM - 6.5MM
HARD PIPE/TUBE	6.0MM - 6.8MM

*RECOMMENDED SIZES MAY DIFFER DEPENDING ON THE APPLICATION, PRODUCT REQUIREMENTS AND MATERIALS USED

**PATENT PENDING 29/582,271



GLOBAL PART NAME	BUNDLE RANGE	CABLE TIE			CLIP**		
		DRAWING	MATERIAL	COLOR	DRAWING	MATERIAL	COLOR
T50SVC MOC6M-PA66HIRHSUV-BK	2 TO 50	14-0606-011-CSU	PA66HIRHSUV	BLACK	16-0314-000-CSU	PA66HIRHSUV	BLACK

Material
SEE CHART
COLOR: SEE CHART

Units **millimeters**

Tolerance defined on each dimension

The copyright of this drawing is reserved by HellermannTyton. It is issued on condition that it is not reproduced, copied or disclosed to a third party, either wholly or in part, without the consent of HellermannTyton.

Drawn TAT 2/15/18
Approved EJF 2/16/18
HellermannTyton
North America
Email: corp@htamericas.com
Web: www.hellermann.tyton.com

Article/Type-No T50SVC MOC6M
Title T50SVC TIE STRAP COUPLED TO 6MM MOC
Drawing-No PRODUCTION : Phase
16-0314-202-CSU

Scale 1:1
Project Number 16-0314
Format AH
Sheet 1/1