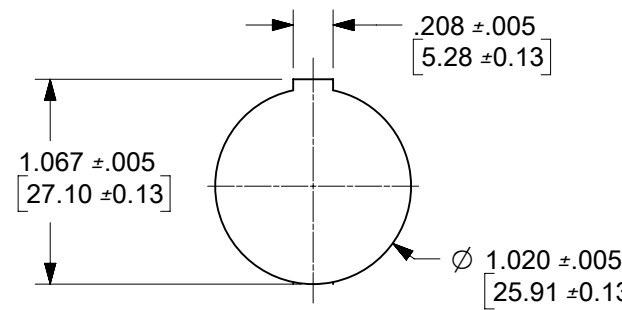
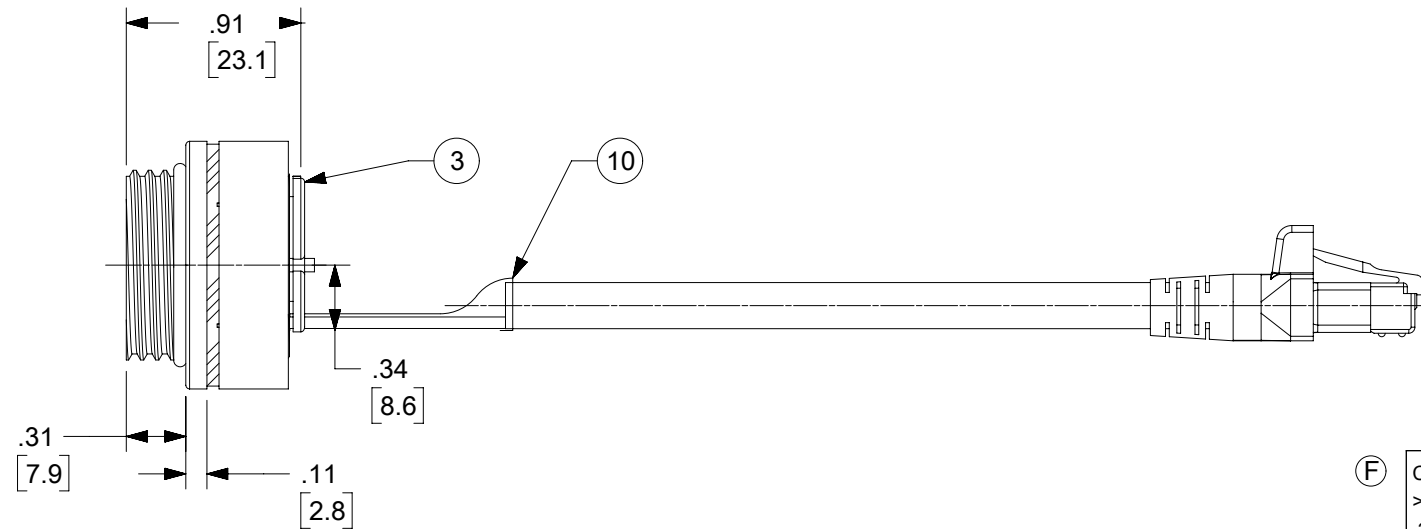
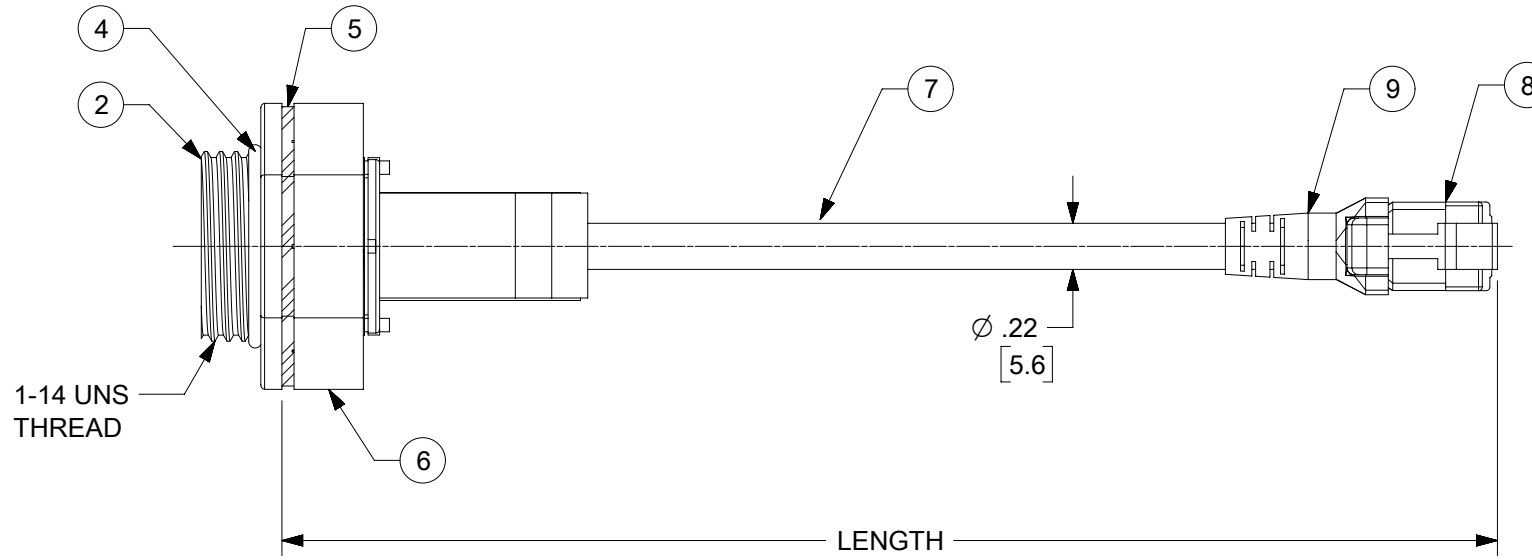
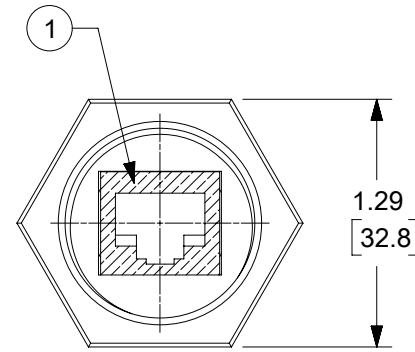
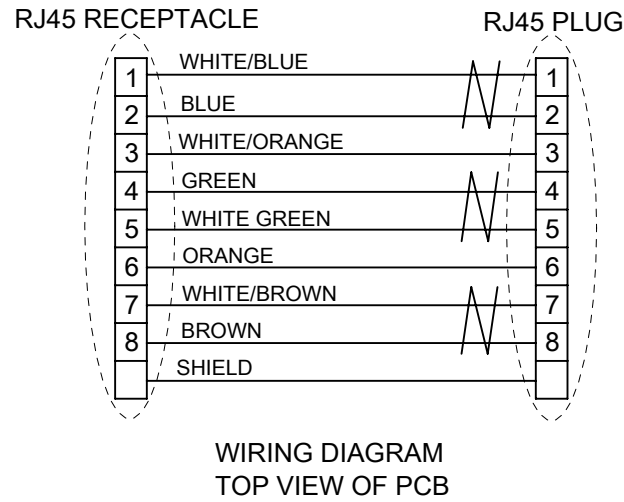


MATERIAL NO.	ENGINEERING NO.	LENGTH
1300550002	ENSP1F5C305	30.5 CM (1.0 FT)
1300550003	ENSP1F5C305-V	30.5 CM (1.0 FT)
1300550004	ENSP1F5M006	0.6 M (1.97 FT)
1300550005	ENSP1F5M010	1.0 M (3.28 FT)
1300550006	ENSP1F5M010-V	1.0 M (3.28 FT)
1300558010	ENSP1F5C110	11.0 CM (.35 FT)

ENSP1F5C305-V

LENGTH UV OPTION
 M001 = .1 METERS
 M010 = 1.0 METERS
 M100 = 10 METERS

PART NUMBER MATRIX



SUGGESTED PANEL CUT OUT
 PANEL THICKNESS:
 .062 MIN.
 .125 MAX. WITH GASKET
 .187 MAX. WITHOUT GASKET

- NOTES:
1. MATERIAL: SEE TABLE
 2. FINISHES: SEE TABLE
 3. ELECTRICAL RATING:
MAX VOLTAGE: 125V DC
MAX CURRENT: 1.5A
 4. TEMP RANGE: -20°C TO 75°C
 5. PROTECTION: RJ-LYNX CONNECTOR ASSY: IP67 (WHEN MATED)
RJ45 PLUG: IP 20 (WHEN MATED)
 6. PACKAGING:
ASSEMBLIES ARE BAGGED SPERATELY
IN POLY BAGS WITH BAR CODE LABEL ATTACHED
TO OUTSIDE OF BAG.
 7. DIMENSIONS SHOWN ARE FOR REFERENCE UNLESS
NOTED OR TOLERANCED OTHERWISE

ITEM	DESCRIPTION	MATERIAL	FINISH	MAT/FINISH (UV OPT)
10	HEAT SHRINK	POLYOLEFIN	BLACK	
9	RJ45 BOOT (HOODED)	PVC (E)	BLACK	
8	RJ45 PLUG 8 POS, SHIELDED	Cu/PC	NI PLATED	
7	CABLE 4T/P 26AWG 5E, SHLD	PVC	BLACK	
6	HEX NUT	ABS (E)	BLACK	
5	BULKHEAD GASKET	NITRILE	BLACK	
4	O RING	VITON	BROWN	VITON/BLACK
3	REAR COVER	ABS	BLACK	ASA/BLACK
2	RJ- LYNX HOUSING	ABS	BLACK	ASA/BLACK
1	RJ45 RECEPTACLE W/PCB SUB ASSY.	-	-	

CABLE LENGTH TOLERANCES

>.3M [1FT]:	+19mm-0 [+.75in-0]
.3 - .9M [1 - 3FT]:	+44.5mm-0 [+1.75in-0]
.9 - 1.8M [3 - 6FT]:	+55.6mm-0 [+2.19in-0]
1.8 - 3.7M [6 - 12FT]:	+88.9mm-0 [+3.50in-0]
3.7 - 7.3M [12 - 24FT]:	+165.1mm-0 [+6.50in-0]
7.3-14.6M [24 - 48FT]:	+317.5mm-0 [+12.50in-0]
14.6 - 30.5M [48-100FT]:	+622.3mm-0 [+24.50in-0]
OVER 30M [100FT]:	+2% OF FINISHED LENGTH

FUNCTIONAL SYMBOLS		THIS DRAWING CONTAINS INFORMATION THAT IS PROPRIETARY TO MOLEX ELECTRONIC TECHNOLOGIES, LLC AND SHOULD NOT BE USED WITHOUT WRITTEN PERMISSION		CURRENT REV DESC: VOID DOC, SUPERSEDED BY 1300500010 PDD	
FA = 0	INCH/MM	SCALE	1:1		
FE = 0	GENERAL TOLERANCES (UNLESS SPECIFIED)				
FD = 0		MM	INCH		
	4 PLACES	±	±		
	3 PLACES	±	±		
	2 PLACES	±	±		
	1 PLACE	±	±		
	0 PLACES	±	±		
	ANGULAR TOL	±	°		
DIVISIONAL SYMBOLS		DRAFT WHERE APPLICABLE MUST REMAIN WITHIN DIMENSIONS		THIRD ANGLE PROJECTION	
		DRAWING		SERIES	
		B-SIZE		130055	
		MATERIAL NUMBER		CUSTOMER	
		SEE P/N MATRIX		GENERAL MARKET	
		DOCUMENT NUMBER		SHEET NUMBER	
		SD-130055-002		1 OF 1	
		EC NO: 643812		DATE: 2020/08/17	
		DRWN: RSTONE		2020/08/25	
		CHK'D: ALEON01		2020/08/25	
		APPR: BWOODMAN		2020/08/27	
		INITIAL REVISION:			
		DRWN: BRUPERT		2009/04/22	
		APPR: JFMURPHY		2009/04/22	