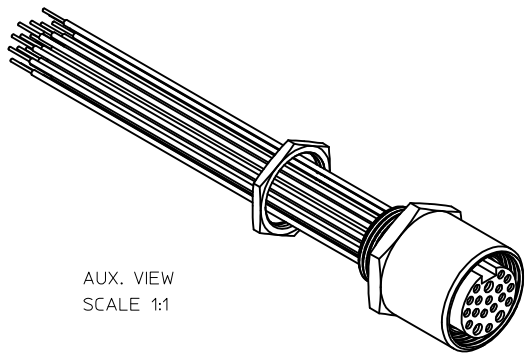
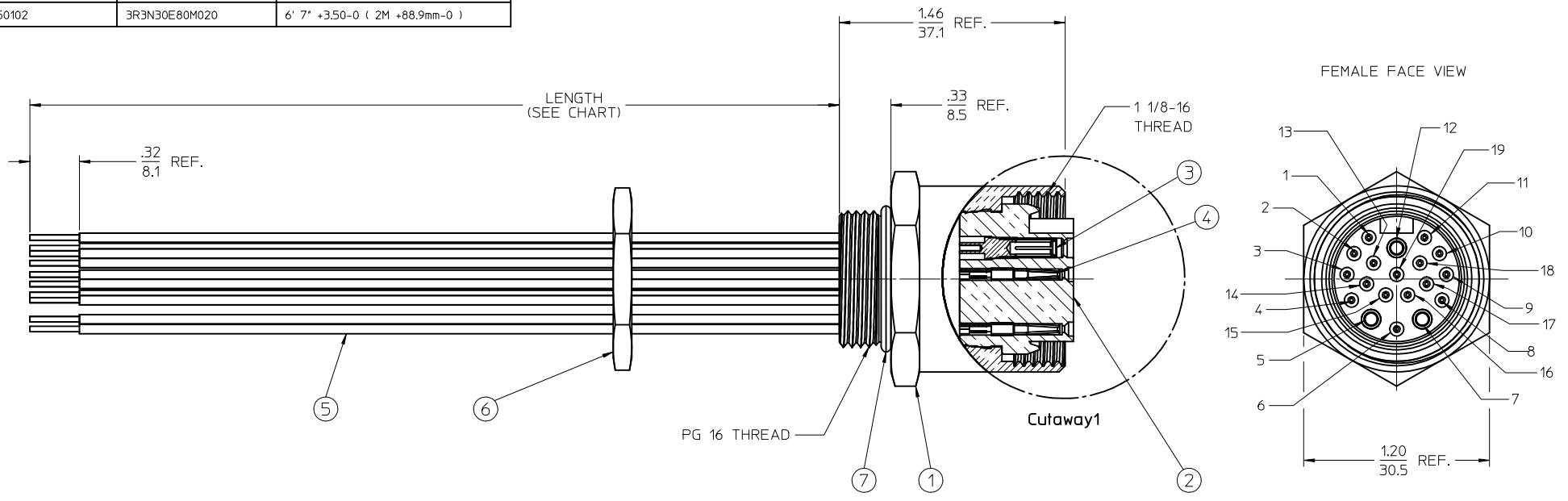
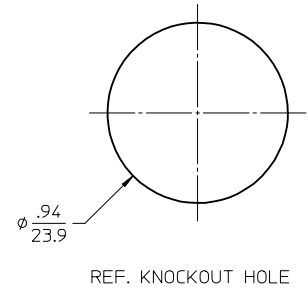


MATERIAL NO.	ENGINEERING NO.	LENGTH
1300150098	3R3N30E80C300	1' 0" +.75 -0 ( .3M +19.1mm-0 )
1300150102	3R3N30E80M020	6' 7" +3.50-0 ( 2M +88.9mm-0 )



NOTES:  
 1. MATERIAL: SEE TABLE  
 2. FINISHES: SEE TABLE  
 3. MATES WITH 19 POLE MALE MINI-CHANGE  
 4. ELECTRICAL SPECIFICATIONS:  
 VOLTAGE RATING: 300V AC/DC  
 CURRENT RATING: 2 AMPS  
 5. ASSEMBLY IS RoHS COMPLIANT



WIRING DIAGRAM	
VIOLET	1
RED	2
GRAY	3
RED/BLUE	4
BLUE (-VE)	5
GREEN	6
BROWN (+VE)	7
WHITE/GREEN	8
WHITE/YELLOW	9
WHITE/GRAY	10
BLACK	11
YELLOW/GREEN (GRD)	12
YELLOW/BROWN	13
BROWN/GREEN	14
WHITE	15
YELLOW	16
PINK	17
GRAY/BROWN	18
GRAY/PINK	19

ITEM	QTY.	DESCRIPTION	MATERIAL	FINISH
7	1	O-RING	NITRILE	BLACK
6	1	LOCKNUT, PG16	BRASS	NICKEL PLATED
5	19	WIRE, 22 AWG	PVC INSULATION	SEE WIRE DIAGRAM
4	16	CONTACT SOCKET, 20 AWG	Cu ALLOY	GOLD PLATED
3	3	CONTACT SOCKET/SLEEVE ASSY, 18 AWG	BRASS/SS	GOLD PLATED
2	1	INSERT, FEMALE, 19 POLE	PVC	YELLOW
1	1	RECEPTACLE SHELL	ALUMINUM	GRAY ANODIZE

RELEASED	EC NO: MNA2010-0113	2009/08/21
DRWNR:STONE	CHKD:R. WOODMAN	APPR:J.MURPHY
DESCRIPTION	2009/08/21	

QUALITY SYMBOLS	GENERAL TOLERANCES (UNLESS SPECIFIED)
▽=0	4 PLACES ± --- ± ---
▽=0	3 PLACES ± --- ± ---
	2 PLACES ± --- ± .01
	1 PLACE ± 0.3 ± ---
	ANGULAR ± 1/2°

DIMENSION STYLE	
IN/MM	
DRAWN BY	DATE
R.STONE	2009/08/20
CHECKED BY	DATE
B.WOODMAN	2009/08/21
APPROVED BY	DATE
J.MURPHY	2009/08/25

SCALE	DESIGN UNITS	THIRD ANGLE PROJECTION
2:1	INCH	☉
<b>MINI-CHANGE 19 POLE RECEPTACLE ASSEMBLY FEMALE</b>		
<b>MOLEX INCORPORATED</b>		SHEET NO. 1 OF 1
<b>SEE CHART</b>		DOCUMENT NO. SD-130015-008
THIS DRAWING CONTAINS INFORMATION THAT IS PROPRIETARY TO MOLEX INCORPORATED AND SHOULD NOT BE USED WITHOUT WRITTEN PERMISSION		