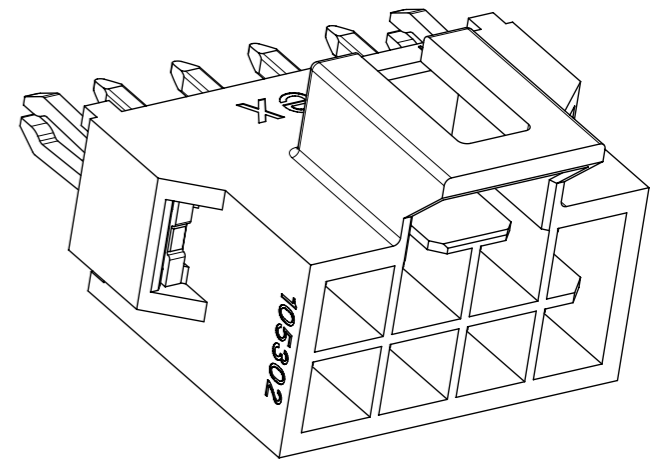
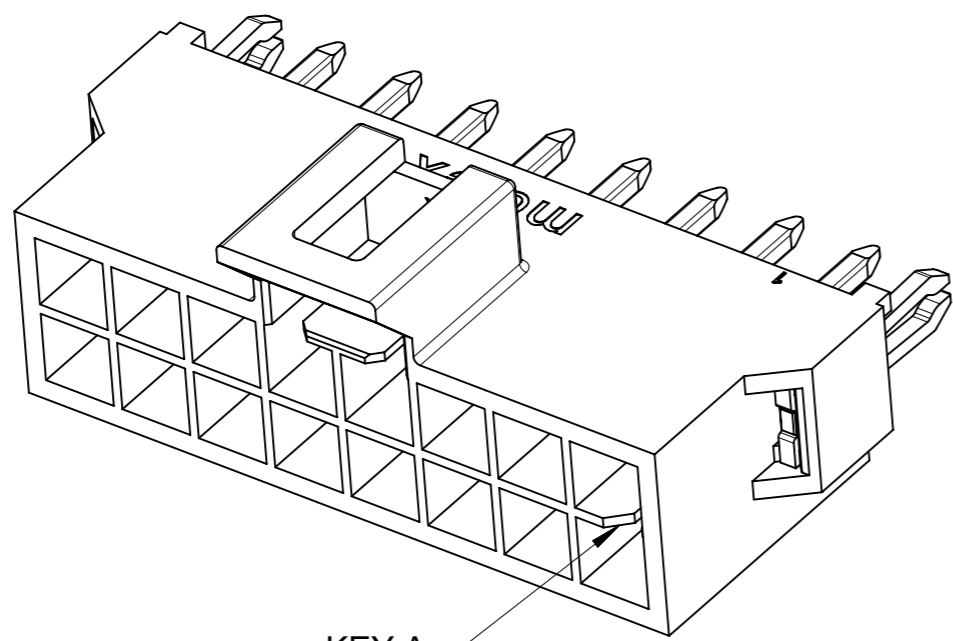


RECOMMENDED PCB(CONNECTOR SIDE VIEW)
THICKNESS=1.6 TO 2.4 MM

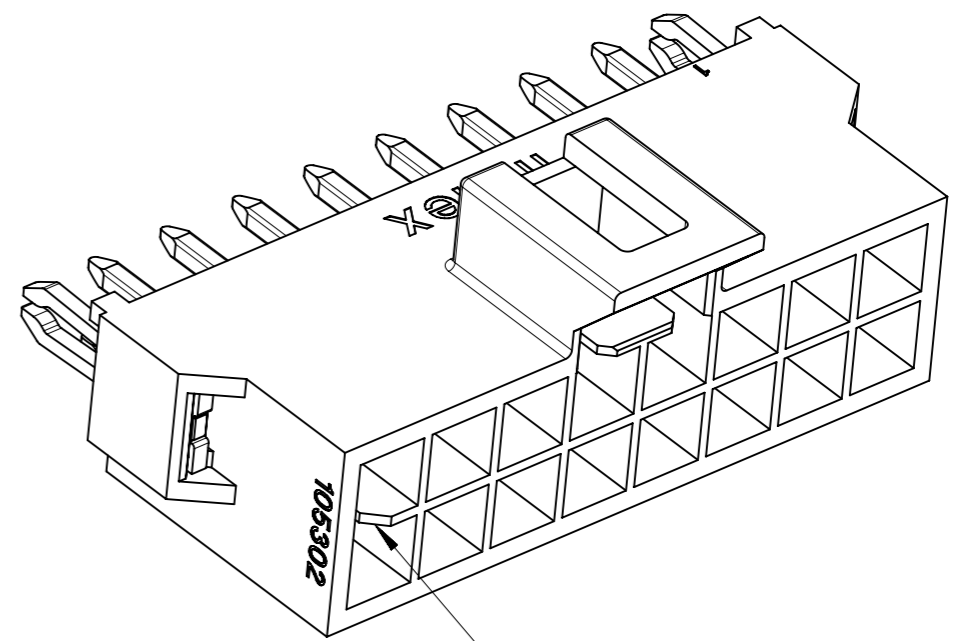


THIS DRAWING CONTAINS INFORMATION THAT IS PROPRIETARY TO MOLEX ELECTRONIC TECHNOLOGIES, LLC AND SHOULD NOT BE USED WITHOUT WRITTEN PERMISSION									
QUALITY SYMBOLS 	EC NO: 621186 DRWN: GLLI CHK'D: YXZHENG APPR: YXZHENG	GENERAL TOLERANCES (UNLESS SPECIFIED) ANGULAR TOL ± 3.0 ° 4 PLACES ± 3 PLACES ± 0.1 2 PLACES ± 0.2 1 PLACE ± 0.3 0 PLACES ±		DIMENSION UNITS mm	SCALE 5:1				
		DRWN BY: GLLI DATE: 2014/07/16		APPR BY: AYIN DATE: 2015/04/08					
		DRAFT WHERE APPLICABLE MUST REMAIN WITHIN DIMENSIONS		DRAWING SIZE A3	THIRD ANGLE PROJECTION 	PRODUCT CUSTOMER DRAWING			
		F REV		SERIES: 105312 MATERIAL NUMBER: SEE SHEET 3 CUSTOMER: GENERAL MARKET		DOCUMENT NUMBER: SD-105312-100 DOC TYPE: PSD DOC PART: 000 SHEET NUMBER: 1 OF 5			

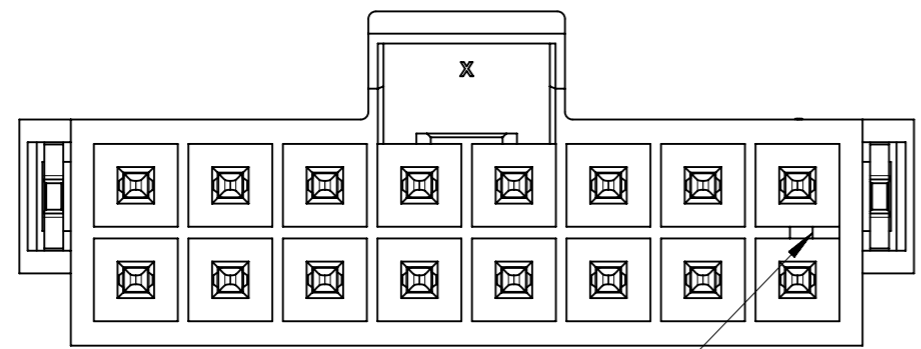
9 8 7 6 5 4 3 2 1



KEY A

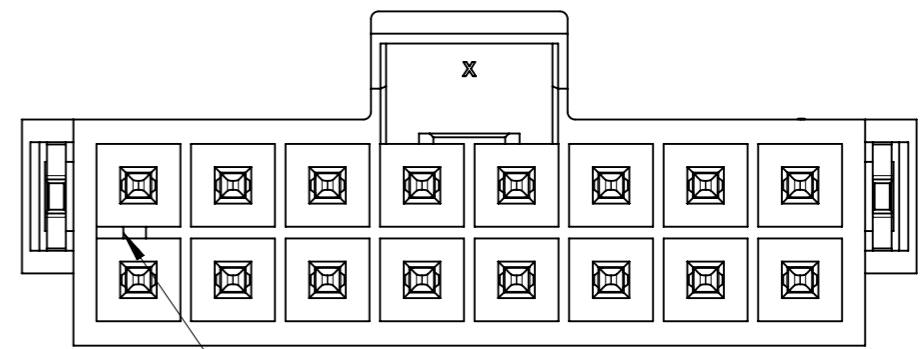


KEY B



KEY A

BLACK



KEY B

NATURAL

COLOR OPTION

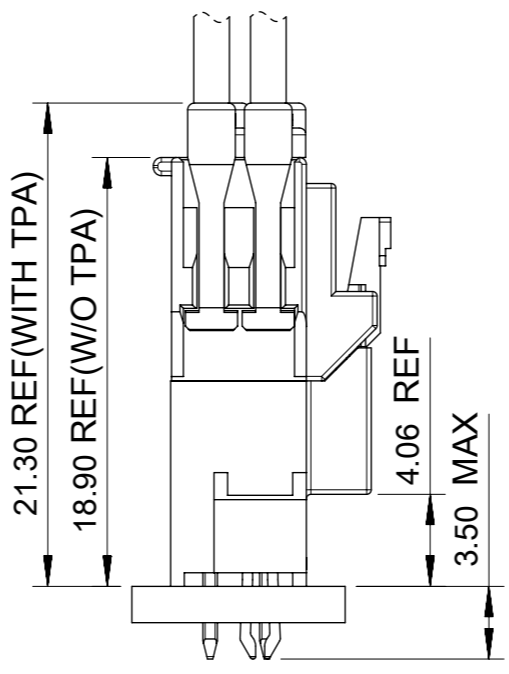
THIS DRAWING CONTAINS INFORMATION THAT IS PROPRIETARY TO MOLEX ELECTRONIC TECHNOLOGIES, LLC AND SHOULD NOT BE USED WITHOUT WRITTEN PERMISSION											
SYMBOLS		DIMENSION UNITS		SCALE		CURRENT REV DESC:					
▽ = 0		mm				EC NO: 621186					
▽ = 0		GENERAL TOLERANCES (UNLESS SPECIFIED)				DRWN: GLLI 2019/07/24					
▽ = 0		ANGULAR TOL ± 3.0°				CHK'D: YXZHENG 2019/07/31					
▽ = 0		4 PLACES ±				APPR: YXZHENG 2019/07/31					
▽ = 0		3 PLACES ± 0.1				INITIAL REVISION:					
▽ = 0		2 PLACES ± 0.2				DRWN: GLLI 2015/05/29					
▽ = 0		1 PLACE ± 0.3				APPR: AYIN 2016/04/27					
▽ = 0		0 PLACES ±				DOCUMENT NUMBER					
▽ = 0		DRAFT WHERE APPLICABLE MUST REMAIN WITHIN DIMENSIONS				THIRD ANGLE PROJECTION		DRAWING		SERIES	
						A3-SIZE		105312		MATERIAL NUMBER	
						SEE SHEET 3		GENERAL MARKET		CUSTOMER	
										SD-105312-100	
										DOC TYPE	
										PSD	
										DOC PART	
										000	
										REVISION	
										F	
										SHEET NUMBER	
										2 OF 5	

DOCUMENT STATUS	P1	RELEASE DATE	2019/07/31	03:05:34
-----------------	----	--------------	------------	----------

9 8 7 6 5 4 3 2 1

PART NUMBER	DIM 'A'	DIM 'B'	DIM 'C'	CKT SIZE	PLATING	LUBE
105312-1104	8.66	5.94	6.84	4	TIN	
105312-1106	11.16	8.44	9.34	6		
105312-1108	13.66	10.94	11.84	8		
105312-1110	16.16	13.44	14.34	10		
105312-1112	18.66	15.94	16.84	12		
105312-1114	21.16	18.44	19.34	14		
105312-1116	23.66	20.94	21.84	16		
105312-1204	8.66	5.94	6.84	4		
105312-1206	11.16	8.44	9.34	6		
105312-1208	13.66	10.94	11.84	8		
105312-1210	16.16	13.44	14.34	10		
105312-1212	18.66	15.94	16.84	12		
105312-1214	21.16	18.44	19.34	14		
105312-1216	23.66	20.94	21.84	16		
105312-1304	8.66	5.94	6.84	4	GOLD 0.76	
105312-1306	11.16	8.44	9.34	6		
105312-1308	13.66	10.94	11.84	8		
105312-1310	16.16	13.44	14.34	10		
105312-1312	18.66	15.94	16.84	12		
105312-1314	21.16	18.44	19.34	14		
105312-1316	23.66	20.94	21.84	16		
105312-1404	8.66	5.94	6.84	4		
105312-1406	11.16	8.44	9.34	6		
105312-1408	13.66	10.94	11.84	8		
105312-1410	16.16	13.44	14.34	10		
105312-1412	18.66	15.94	16.84	12		
105312-1414	21.16	18.44	19.34	14		
105312-1416	23.66	20.94	21.84	16		

COLOR: BLACK



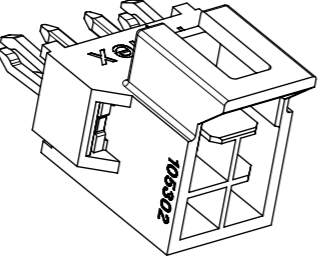
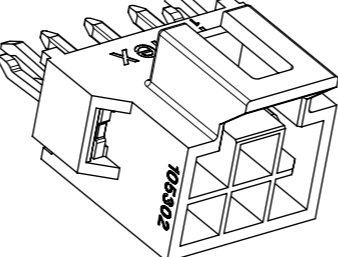
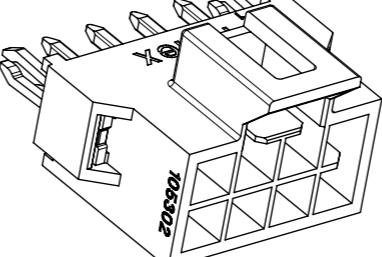
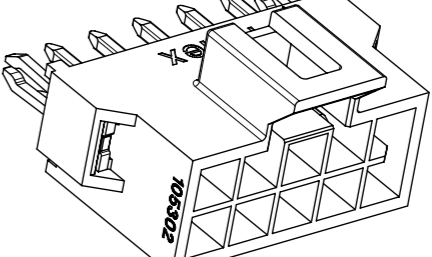
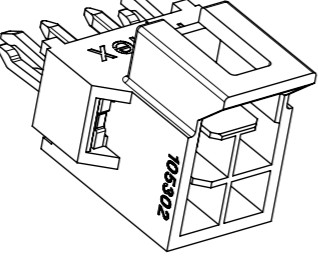
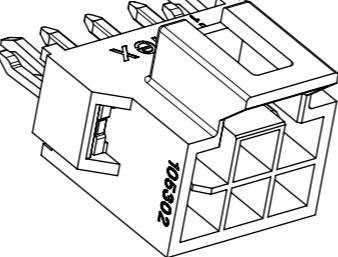
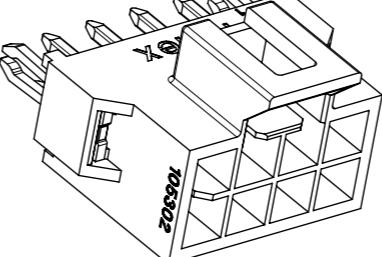
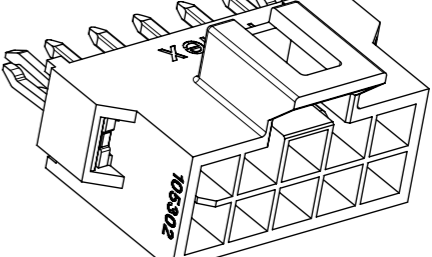
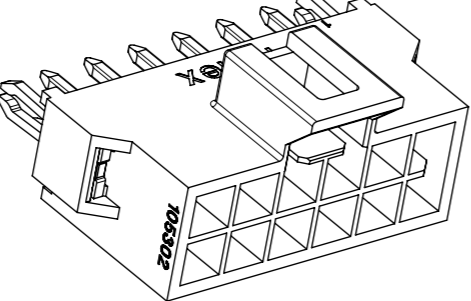
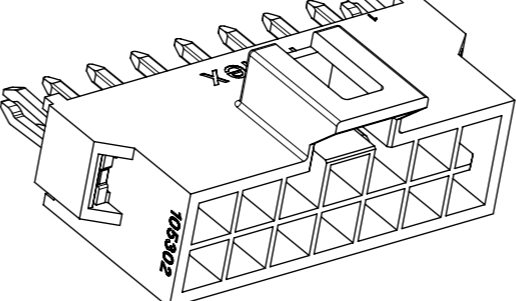
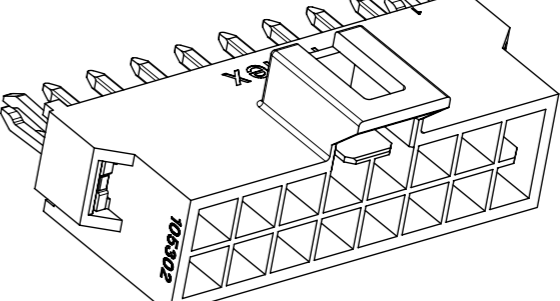
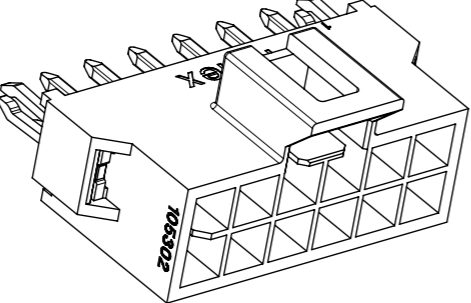
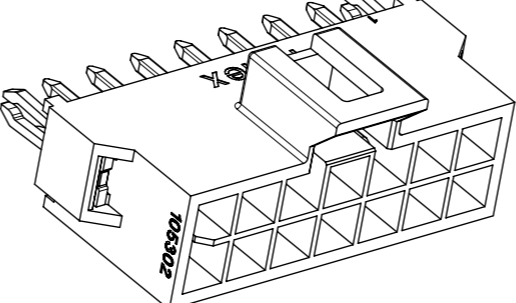
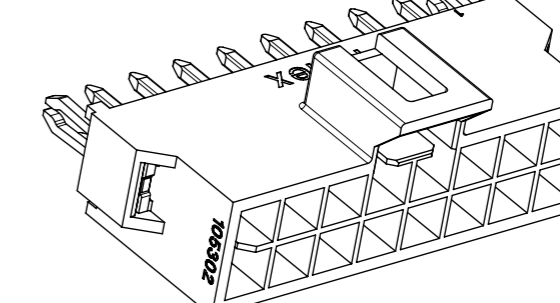
- 105312- * * * *
- CIRCUIT SIZE
 - PLATING OPTION
 - 1 - TIN
 - 2 - GOLD 0.38
 - 3 - GOLD 0.76
 - 4 - GOLD AND LUBE
 - COLOR OPTION
 - 1 - BLACK
 - 2 - NATURAL

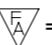
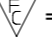
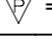

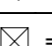

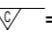

PART NUMBER	DIM 'A'	DIM 'B'	DIM 'C'	CKT SIZE	PLATING	LUBE
105312-2104	8.66	5.94	6.84	4	TIN	
105312-2106	11.16	8.44	9.34	6		
105312-2108	13.66	10.94	11.84	8		
105312-2110	16.16	13.44	14.34	10		
105312-2112	18.66	15.94	16.84	12		
105312-2114	21.16	18.44	19.34	14		
105312-2116	23.66	20.94	21.84	16		
105312-2204	8.66	5.94	6.84	4		
105312-2206	11.16	8.44	9.34	6		
105312-2208	13.66	10.94	11.84	8		
105312-2210	16.16	13.44	14.34	10		
105312-2212	18.66	15.94	16.84	12		
105312-2214	21.16	18.44	19.34	14		
105312-2216	23.66	20.94	21.84	16		
105312-2304	8.66	5.94	6.84	4	GOLD 0.76	
105312-2306	11.16	8.44	9.34	6		
105312-2308	13.66	10.94	11.84	8		
105312-2310	16.16	13.44	14.34	10		
105312-2312	18.66	15.94	16.84	12		
105312-2314	21.16	18.44	19.34	14		
105312-2316	23.66	20.94	21.84	16		
105312-2404	8.66	5.94	6.84	4		
105312-2406	11.16	8.44	9.34	6		
105312-2408	13.66	10.94	11.84	8		
105312-2410	16.16	13.44	14.34	10		
105312-2412	18.66	15.94	16.84	12		
105312-2414	21.16	18.44	19.34	14		
105312-2416	23.66	20.94	21.84	16		

COLOR: NATURAL

RELEASE STATUS	P1	RELEASE DATE	2019/07/31	03:05:34
9		8	7	6

QUALITY SYMBOLS FA = 0 FE = 0 FB = 0 FV = 0 FC = 0 FX = 0 FS = 0 FT = 0	THIS DRAWING CONTAINS INFORMATION THAT IS PROPRIETARY TO MOLEX ELECTRONIC TECHNOLOGIES, LLC AND SHOULD NOT BE USED WITHOUT WRITTEN PERMISSION					
	EC NO: 621186 DRWN: GLLI CHK'D: YXZHENG APPR: YXZHENG	GENERAL TOLERANCES (UNLESS SPECIFIED) ANGULAR TOL ± 3.0 °		DIMENSION UNITS mm	SCALE 3:1	 HEADER OF NANO-FIT, D/R, CLIP, VERTICAL POWER CONNECTOR
		4 PLACES ±	DRWN BY GLLI	DATE 2014/07/16		
		3 PLACES ± 0.1	CHK'D BY	DATE		
		2 PLACES ± 0.2	APPR BY AYIN	DATE 2015/04/08		
	1 PLACE ± 0.3	0 PLACES ±	DRAFT WHERE APPLICABLE MUST REMAIN WITHIN DIMENSIONS	DRAWING SIZE A3	THIRD ANGLE PROJECTION	PRODUCT CUSTOMER DRAWING
	SERIES 105312		MATERIAL NUMBER SEE CHART		CUSTOMER GENERAL MARKET	
	DOCUMENT NUMBER SD-105312-100			DOC TYPE PSD	DOC PART 000	SHEET NUMBER 3 OF 5

	4 CKT	6 CKT	8 CKT	10 CKT	
E	BLACK				
D	NATURAL				
	12 CKT	14 CKT	16 CKT		
C	BLACK				
B	NATURAL				

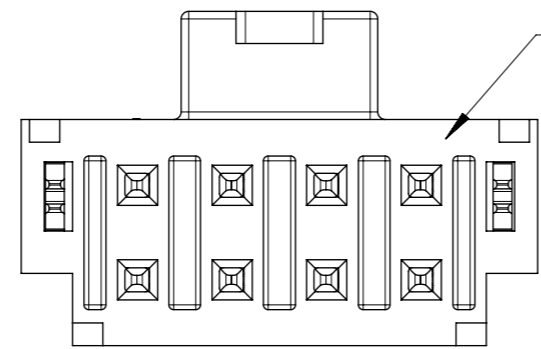
THIS DRAWING CONTAINS INFORMATION THAT IS PROPRIETARY TO MOLEX ELECTRONIC TECHNOLOGIES, LLC AND SHOULD NOT BE USED WITHOUT WRITTEN PERMISSION																
QUALITY SYMBOLS  = 0  = 0  = 0  = 0  = 0  = 0  = 0		EC NO: 621186 DRWN: GLLI CHK'D: YXZHENG APPR: YXZHENG			2019/07/24 2019/07/31 2019/07/31			GENERAL TOLERANCES (UNLESS SPECIFIED) ANGULAR TOL ± 3.0 ° 4 PLACES ± 3 PLACES ± 0.1 2 PLACES ± 0.2 1 PLACE ± 0.3 0 PLACES ±		DRAFT WHERE APPLICABLE MUST REMAIN WITHIN DIMENSIONS		DIMENSION UNITS: mm SCALE: 3:1 DRWN BY: GLLI DATE: 2014/07/16 CHK'D BY: DATE: APPR BY: AYIN DATE: 2015/04/08 DRAWING SIZE: A3 THIRD ANGLE PROJECTION		 HEADER OF NANO-FIT, D/R, CLIP, VERTICAL POWER CONNECTOR PRODUCT CUSTOMER DRAWING		
RELEASE STATUS		P1	RELEASE DATE		2019/07/31		03:05:34		SERIES		MATERIAL NUMBER		CUSTOMER			
									105312		SEE SHEET 3		GENERAL MARKET			
									DOCUMENT NUMBER		DOC TYPE		DOC PART		SHEET NUMBER	
									SD-105312-100		PSD		000		4 OF 5	

NOTES FOR ALL PARTS

1> MATERIAL:
 HOUSING: LCP, UL 94V-0.
 TERMINAL: BRASS.
 SOLDER CLIP: BRASS.

2> PLATING FINISHED:
 TERMINAL:
 CONTACT AREA: a. TIN 1.5MICRONS MIN; b. GOLD 0.38 MICRONS MIN;
 c. GOLD 0.76 MICRONS MIN.
 SOLDER AREA: TIN 1.5 MICRONS MIN, UNDER PLATING NICKEL 1.25
 MICRONS MIN.
 SOLDER CLIP: TIN 2.5 MICRONS MIN, UNDER PLATING NICKEL 1.25 MICRONS MIN.

3> PRODUCT SPECIFICATION: PS-105300-100.
 4> PACKAGE: TRAY, PK-105309-100.
 5> ALL COMPONENTS AND PRODUCT COMPLIANT TO RoHS DIRECTIVE 2011/65/EU
 AND ELV DIRECTIVE 2000/53/EC.
 6> PRODUCT MATE WITH SERIES OF 105308(RECEPTACLE), 105300(CRIMP TERMINAL).
 7> PARTS CONFORM TO CLASS 'B'REQUIREMENTS OF COSMETIC SPECIFICATION
 PS-45499-002.
 8> DISCOLORATION IN THE BANDOLIER PIN CARRIER AREA OF THE PIN IS INHERENT TO
 THE PLATING PROCESS AND IS DUE TO THE MASKING DEFECT OF THE CARRIER, THIS
 DISCOLORATION IS IN A NON-FUNCTION AREA OF THE PIN AND WILL NOT AFFECT
 THE PERFORMANCE OF THE HEADER ASSEMBLY.



IF ANY NUMBER MARK APPEARS ON THIS SURFACE,
 PLEASE DISREGARD IT, IT IS NO ANY FUCTION AND
 NO ANY RELATION TO PIN NUMBER, IT IS JUST FOR
 MOLDING IDENDIFICATION.

QUALITY SYMBOLS ▽ = 0 ▽ = 0 ▽ = 0 ▼ = 0 ▽ = 0 ⊗ = 0 ■ = 0 ▽ = 0	THIS DRAWING CONTAINS INFORMATION THAT IS PROPRIETARY TO MOLEX ELECTRONIC TECHNOLOGIES, LLC AND SHOULD NOT BE USED WITHOUT WRITTEN PERMISSION										
	EC NO: 621186 DRWN: GLLI CHK'D: YXZHENG APPR: YXZHENG	2019/07/24 2019/07/31 2019/07/31	GENERAL TOLERANCES (UNLESS SPECIFIED)		DIMENSION UNITS	SCALE					
			ANGULAR TOL ± 3.0 °		mm						
			4 PLACES ±	DRWN BY		DATE					
			3 PLACES ± 0.1	GLLI		2015/05/29					
			2 PLACES ± 0.2	CHK'D BY		DATE					
	1 PLACE ± 0.3	APPR BY		DATE		PRODUCT CUSTOMER DRAWING					
	0 PLACES ±	AYIN		2016/04/27		SERIES	MATERIAL NUMBER	CUSTOMER			
	DRAFT WHERE APPLICABLE MUST REMAIN WITHIN DIMENSIONS		DRAWING SIZE	THIRD ANGLE PROJECTION		105312	SEE SHEET 3	GENERAL MARKET			
			A3			DOCUMENT NUMBER		DOC TYPE	DOC PART	SHEET NUMBER	
				SD-105312-100		PSD	000	5 OF 5			