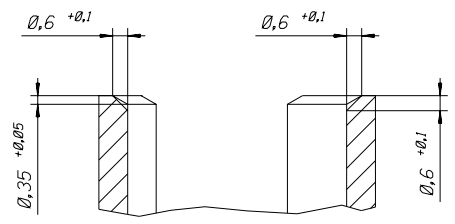
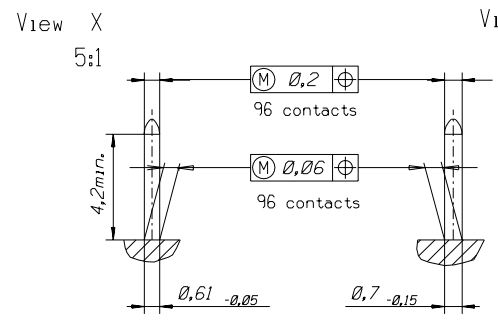
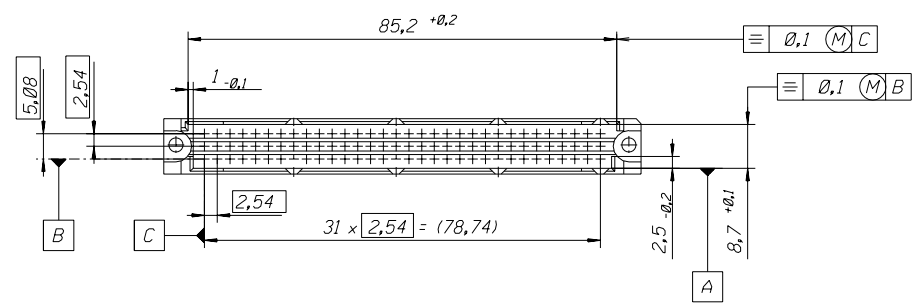
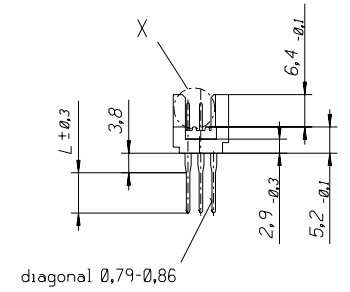
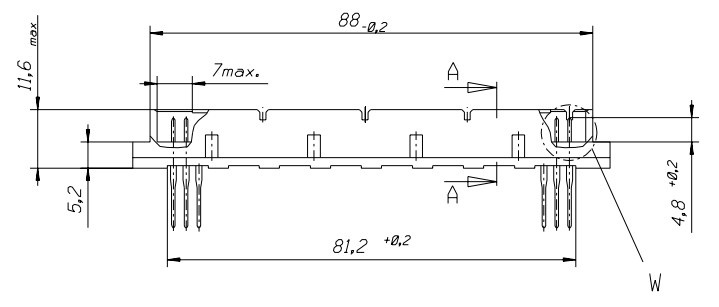
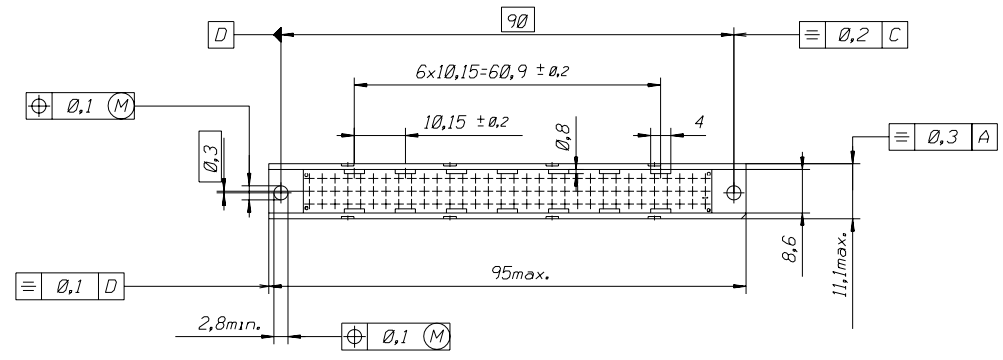


PART NO.  
DWG. NO.

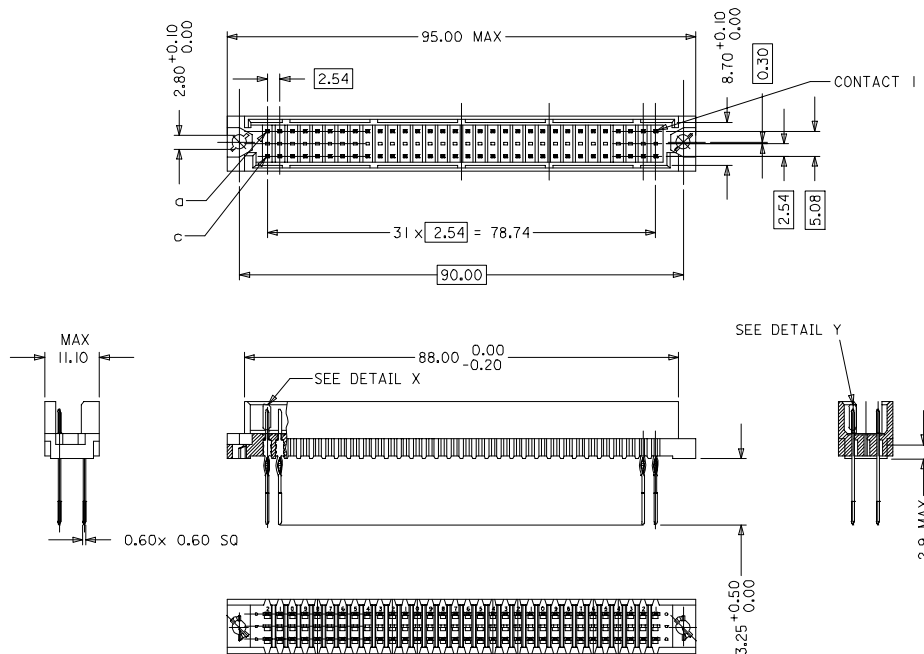


section A-A  
5:1

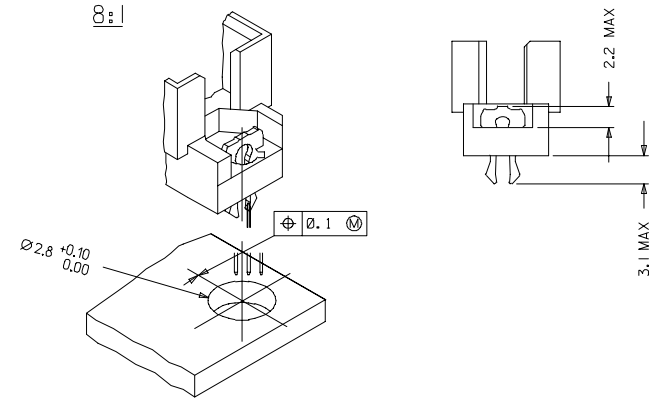


View W  
5:1

FIRST ANGLE PROJECTION		REVISE ONLY ON CAD SYSTEM		SH.	REV.
UNLESS OTHERWISE SPECIFIED TOLERANCES: ANGULAR ±2'		DRWG BY	SIGN	CAD/CAM PROJECT NAME	
INCH		Ca		THIS DRAWING CONTAINS INFORMATION THAT IS PROPRIETARY TO MOLEX INC. & SHOULD NOT BE USED WITHOUT WRITTEN PERMISSION	
METRIC		CHK'D BY	SIGN	TITLE	
3 PLACE ± .	±	KN		96 pos. Male connector DIN 41612 style R (C-Pin) Dimensions	
2 PLACE ± .	±	APP'D BY	SIGN	MOLEX EUROPE	
1 PLACE ± .	±			SHEET NO. DATE 1 OF 3 9/11/28	
DRAFT WHERE APPLICABLE MUST REMAIN WITHIN DIMENSIONS		SCALE	PART NO. DWG NO. SIZE		
DESIGN DIMENSION	<input checked="" type="checkbox"/> MM <input type="checkbox"/> IN.	1:1	see sh. no. 2 of 3 610-6043-201		B
EQUIVALENT DIMENSION	<input type="checkbox"/> MM <input type="checkbox"/> IN.				
IF TWO DIMENSIONS ARE SHOWN THE UPPER IS THE DESIGN DIMENSION, LOWER IS SECONDARY					

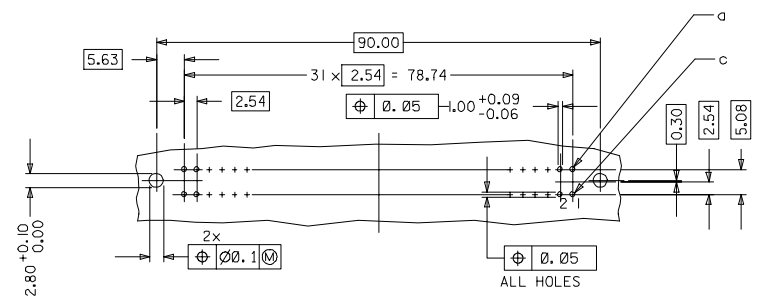


WITH MOUNTING CLIPS



- NOTES:
- 1) MATERIALS: THERMOPLASTIC POLYESTER, GLASS FILLED, UL94-V0  
 COLOUR: PEBBLE GREY RAL 7032  
 TERMINAL - PHOSPHOR BRONZE  
 MOUNTING CLIP: STEEL
  - 2) FINISH: TERMINAL:-  
 CONTACT AREA :  
 PERFORMANCE LEVEL 2: SELECTIVE GOLD (Au), THICKNESS = 0.8 MICROMETER  
 OVER NICKEL, THICKNESS = 1.25 MICROMETER MIN  
 PRESS-IN AREA :  
 Au FLASH  
 OVER NICKEL, THICKNESS = 1.25 MICROMETER MIN OVERALL  
 WIRE WRAP AREA :  
 PERFORMANCE LEVEL 2: SELECTIVE GOLD (Au), THICKNESS = 0.8 MICROMETER  
 OVER NICKEL, THICKNESS = 1.25 MICROMETER MIN
  - 3) MOUNTING CLIP:-  
 TIN (Sn), THICKNESS = 5-10 MICROMETER,  
 OVER NICKEL (Ni), THICKNESS = 2.5 MICROMETER
  - 4) FOR NON MOUNTING CLIP OPTION, CONNECTOR TO BE SECURED WITH  
 RIVETS: 2 TUBULAR RIVETS 2.5 x 0.3 ... DIN 7340  
 SCREWS: 2 CHEESEHEAD SCREWS M2.5 x ... DIN 84 AND 2 HEXAGONAL NUTS M2.5 DIN 934
  - 5) MATERIAL NUMBER, BATCH CODE, UL AND CSA MARKING  
 TO BE PRINTED ON THE CONNECTOR
  - 6) CUT FACE OF TIP WITHOUT PLATING PERMITTED
  - 7) PRODUCT SPECIFICATION PS : 36515-001

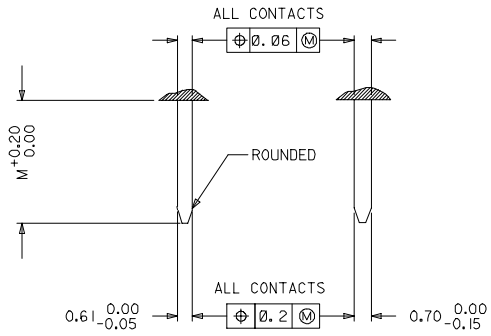
RECOMMENDED PCB LAYOUT  
COMPONENT SIDE



EC NO. 12005-0365 DRAWN BY SIVAKUMAR CHECKED BY SUDHIR APPROVED BY SUDHIR	QUALITY SYMBOLS ▽=0 ▽=0	GENERAL TOLERANCES (UNLESS SPECIFIED)		DIMENSION STYLE MM ONLY		SCALE 2:1	DESIGN UNITS METRIC	THIRD ANGLE PROJECTION	
		mm	INCH	DRAWN BY SIVAKUMAR	DATE 2005/01/06	TITLE ASSY. DIN 41612. R MALE 64POS. A+C LOADED, PRESS-IN, WIRE WRAP	MATERIAL NO. 85013-2282		
A	DESCRIPTION	4 PLACES ±---	±---	CHECKED BY SUDHIR	DATE 2005/01/06	DOCUMENT NO. SD-85013-2282		SHEET NO. 1 OF 2	
		3 PLACES ±0.05	±---	APPROVED BY SUDHIR	DATE 2005/01/06	MOLEX INCORPORATED		THIS DRAWING CONTAINS INFORMATION THAT IS PROPRIETARY TO MOLEX INCORPORATED AND SHOULD NOT BE USED WITHOUT WRITTEN PERMISSION	
		2 PLACES ±0.1	±---						
		1 PLACE ±0.15	±---						
		ANGULAR ± 2 °							
		DRAFT WHERE APPLICABLE MUST REMAIN WITHIN DIMENSIONS		SIZE A1					

20	19	18	17	16	15	14	13	12	11	10	9	8	7	6	5	4	3	2	1
MATERIAL No.	MOLEX ENG No.	PERF LEVEL	FINISH		CONTACT SEQUENCE/ROW	DIM "L" MM	MOUNTING CLIP	FMLB											
85013-2282	-	2	CONTACT AREA	TERMINATION AREA	L2.3...32 a+c	13.25	NO	NO											
			Au + Ni	Au + Ni															

DETAILY      DETAILX



PRE MATING CONTACTS	5.4
NORMAL CONTACTS	4.8
	M

IEC NO. 12005-0365 DRWNSIYAKUMAR 2005/01/10 CHKDSSUDHIR 2005/01/10 APPR:KRAASAJI 2005/01/10	QUALITY SYMBOLS ▽=0 ▽=0	GENERAL TOLERANCES (UNLESS SPECIFIED)		DIMENSION STYLE		SCALE	DESIGN UNITS	THIRD ANGLE PROJECTION
		mm	INCH	MM ONLY		2:1	METRIC	
		4 PLACES ±---	±---	DRAWN BY	DATE	TITLE		
		3 PLACES ±0.05	±---	SIVAKUMAR	2005/01/06	ASSY. DIN 41612, R MALE		
		2 PLACES ±0.1	±---	CHECKED BY	DATE	64POS, A+C LOADED,		
		1 PLACE ±0.15	±---	SSUDHIR	2005/01/06	PRESS-IN, WIRE WRAP		
		ANGULAR ± 2 °		APPROVED BY	DATE	MOLEX INCORPORATED		
				SSUDHIR	2005/01/06			
DRAFT WHERE APPLICABLE MUST REMAIN WITHIN DIMENSIONS		SIZE	MATERIAL NO.	DOCUMENT NO.		SHEET NO.		
		A 1	85013-2282	SD-85013-2282		2 OF 2		
THIS DRAWING CONTAINS INFORMATION THAT IS PROPRIETARY TO MOLEX INCORPORATED AND SHOULD NOT BE USED WITHOUT WRITTEN PERMISSION								