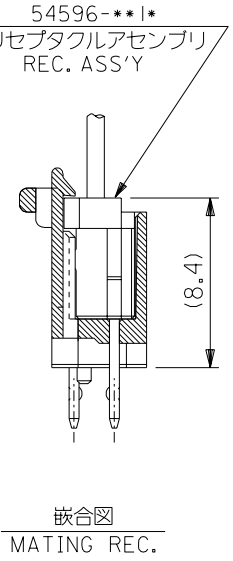
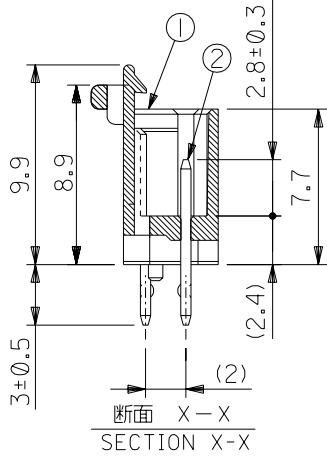
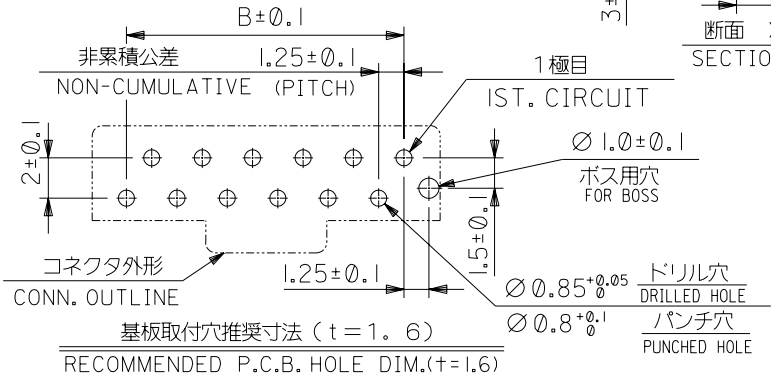
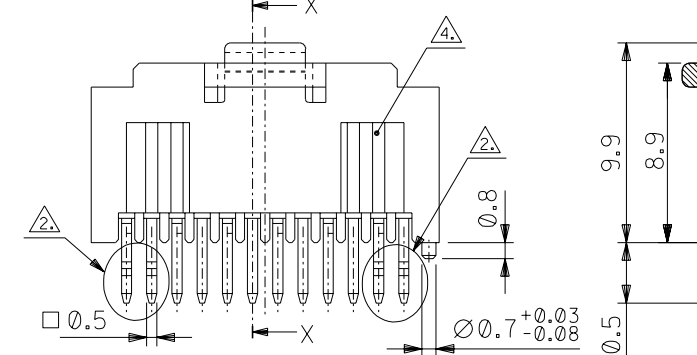
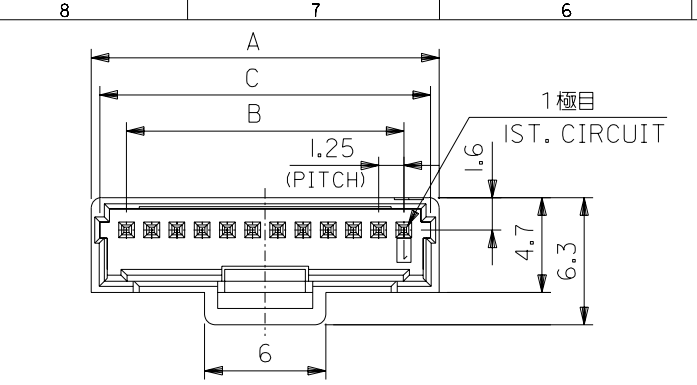


DWG. NO. SD-55447-012



番号 NO.	名称 NAME	原料 MATERIAL	数量 QTY	仕上げ FINISH
①	ウエハー WEFAR	ナイロン NYLON	I	UL94V-0
②	ピン PIN	黄銅 BRASS	N	全体錫メッキ PRE-TINNED

注) NOTES 1.原料および仕上げ:表参照
 MATERIAL AND FINISH:SEE CHART
 ② キンフは、両サイド4ピンに適用。
 TO BE APPLICABLE 4 PIN OF BOTH SIDE.
 ③ 製品番号 MATERIAL NO. 55447-**8*
 ④ 側面の溝は、10極以上に適用。
 SIDE DITCHES MUST BE APPLICABLE OVER 10 CIRCUIT SIZE.

26.4	23.75	27.25	20	55447-208*
25.15	22.5	26	19	-198*
23.9	21.25	24.75	18	-188*
22.65	20	23.5	17	-178*
21.4	18.75	22.25	16	-168*
20.15	17.5	21	15	-158*
18.9	16.25	19.75	14	-148*
17.65	15	18.5	13	-138*
16.4	13.75	17.25	12	-128*
15.15	12.5	16	11	-118*
13.9	11.25	14.75	10	-108*
12.65	10	13.5	9	-098*
11.4	8.75	12.25	8	-088*
10.15	7.5	11	7	-078*
8.9	6.25	9.75	6	-068*
C	B	A	極数 CIRCUIT SIZE	③ 製品番号 MATERIAL NO.

無鉛 LEAD FREE

DO NOT SCALE DRAWING

EC NO.	DRWN:	CHK:	APPR:
EC NO.	DRWN:	CHK:	APPR:
EC NO.	DRWN:	CHK:	APPR:
EC NO.	DRWN:	CHK:	APPR:
EC NO.	DRWN:	CHK:	APPR:
0	DRWN:	CHK:	APPR:

DESCRIPTION	MATERIAL 材料
SEE CHART	SEE CHART
FINISH 仕上げ	SEE CHART
WIRE RANGE 適用電線範囲	—
INS. RANGE 被覆外径	—

GENERAL TOLERANCES: (UNLESS SPECIFIED) 一般公差	SCALE 4-1	DESIGN UNITS <input checked="" type="checkbox"/> mm <input type="checkbox"/> INCH
10 UNDER 未滿	±0.2	DRAWN BY & DATE N.YOSHIDA'03/02/07
10 OVER 30 UNDER 未滿	±0.25	
30 OVER 以上	±0.3	
ANGLE 角度	±3°	CHECKED BY & DATE Y. Ota
		APPROVED BY & DATE Y. Ota
		CAD FILENAME 55447012.S01

DIMENSIONS:		SHT		REV
<input type="checkbox"/> mm <input type="checkbox"/> INCH	<input type="checkbox"/> mm ONLY			
THIRD ANGLE PROJECTION				
TITLE: Mini MiII I-ROW WAFER ASS'Y (Sn) SHORT ARM LOCK TYPE				
MOLEX INCORPORATED				
MATERIAL NO.	DRAWING NO.	SHEET NO.		
SEE CHART	SD-55447-012	1 OF 2		
THIS DRAWING CONTAINS INFORMATION THAT IS PROPRIETARY TO MOLEX INCORPORATED AND SHOULD NOT BE USED WITHOUT WRITTEN PERMISSION.				SIZE B

55447012.S01 A

DWG. NO. SD-55447-012

F

D

V

C

B

DO NOT SCALE DRAWING

F

E

D

C

B

A

8

7

6

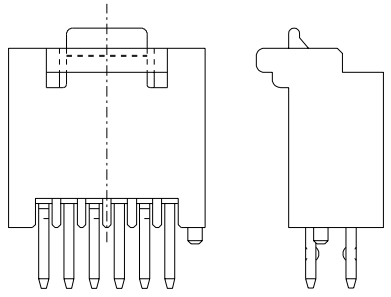
5

4

3

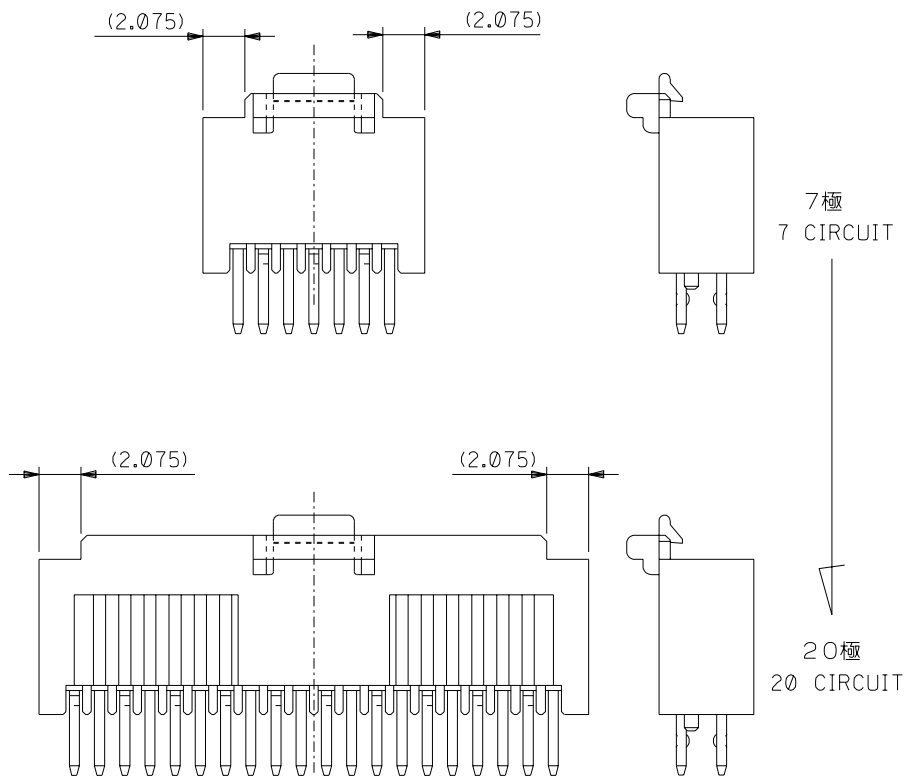
2

1



6極
6 CIRCUIT

6極のハウジング形状
SHAPE OF HS'G 6 CIRCUIT



7極
7 CIRCUIT

20極
20 CIRCUIT

7極~20極のハウジング形状
SHAPE OF HS'G FROM 7 TO 20 CIRCUIT

無鉛
LEAD FREE

EC NO. DRWN: CHK: APPR:	EC NO. DRWN: CHK: APPR:	EC NO. DRWN: CHK: APPR:	EC NO. DRWN: CHK: APPR:	SEE SHEET 1 OF 2	MATERIAL 材料 SEE SHEET 1 OF 2	GENERAL TOLERANCES: (UNLESS SPECIFIED) 一般公差 10 UNDER 未滿 ±0.2	SCALE 4-1	DESIGN UNITS <input checked="" type="checkbox"/> mm <input type="checkbox"/> INCH	THIRD ANGLE PROJECTION	DIMENSIONS: <input type="checkbox"/> mm <input type="checkbox"/> INCH <input checked="" type="checkbox"/> mm ONLY	SHT	REV
WIRE RANGE 適用電線範囲		30 OVER 以上 ±0.3	APPROVED BY & DATE Y.Ota	MOLEX INCORPORATED								
INS. RANGE 被覆外径		ANGLE 角度	CAD FILENAME 55447012.S02	MATERIAL NO. SEE CHART	DRAWING NO. SD-55447-012	SHEET NO. 2	THIS DRAWING CONTAINS INFORMATION THAT IS PROPRIETARY TO MOLEX INCORPORATED AND SHOULD NOT BE USED WITHOUT WRITTEN PERMISSION.				SIZE B	

8

7

6

5

4

3

2

EN-02J(097) MXJ-54