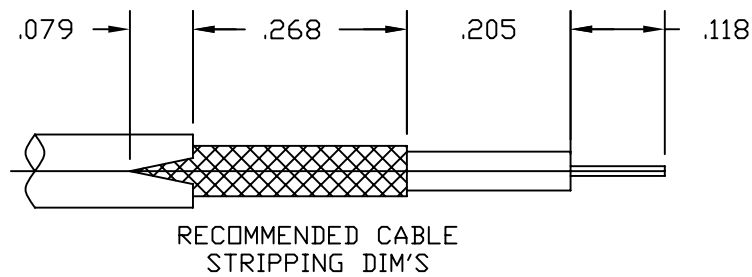
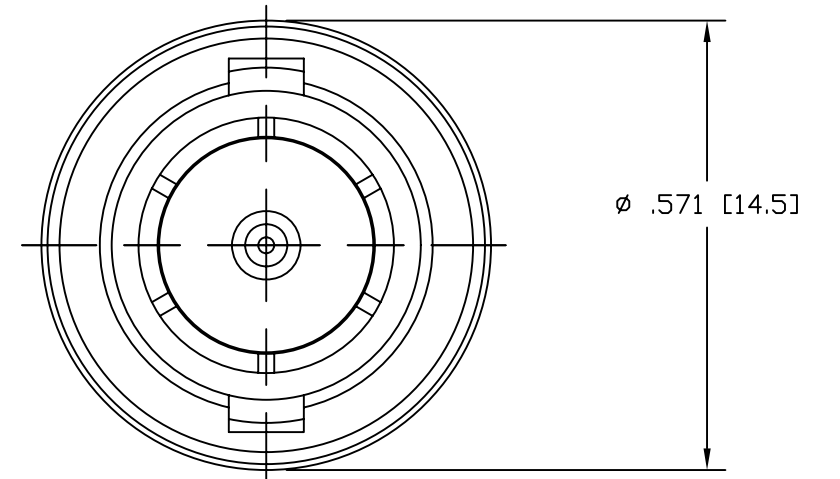
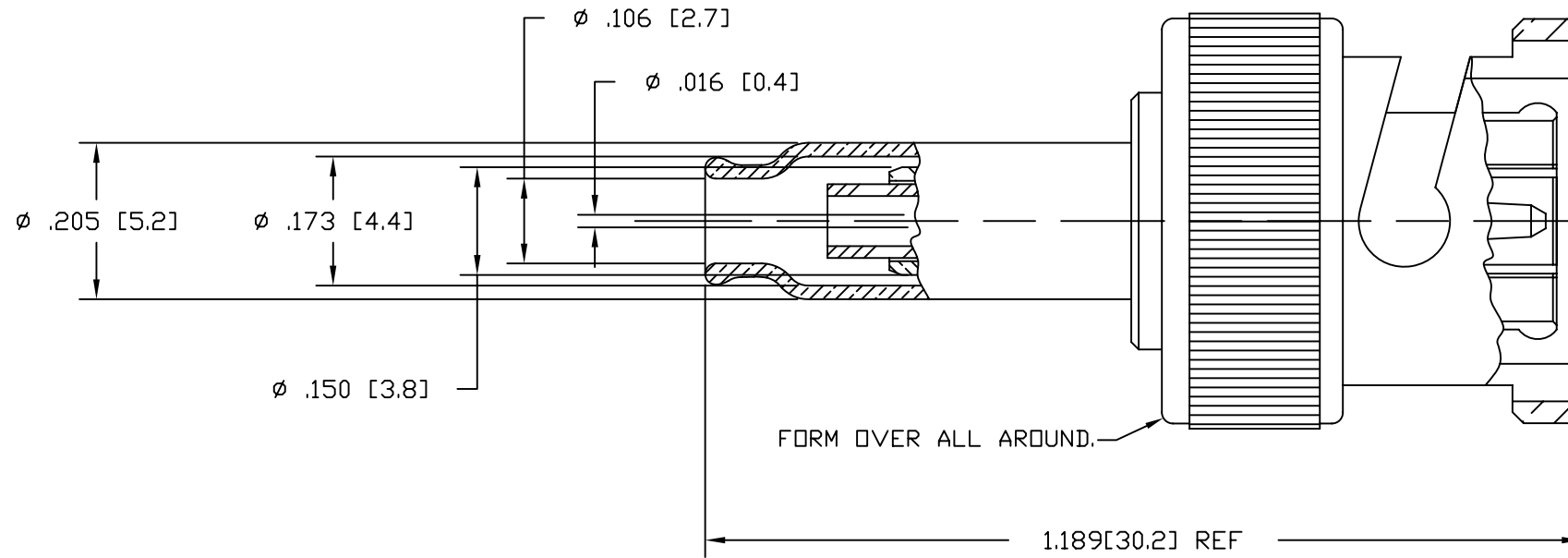


NOTES:

- MATERIALS OF CONSTRUCTION:
SHELL, BODY, FERRULE, RETAINER RING & WASHER = BRASS, NICKEL PLATED .00001 MIN.
SPRING = COPPER, NICKEL PLATED .00002 MIN.
CONTACT = BRASS, GOLD PLATED.
SLEEVE AND INSULATOR = DELRIN, COLOR NATURAL.
GASKET = RUBBER, COLOR RED.
- HANDLE ALL ITEMS CAREFULLY TO AVOID DAMAGING THIN SECTIONS.
- BULK PACK AS FOLLOWS:
50 BODIES PER BAG
50 CONTACTS PER BAG
50 SLEEVES PER BAG
50 FERRULES PER BAG
4 BAGS IN 1 BAG. MARK BAG 31-71013-RFXB, QTY 50 & DATE CODE (WYYY)
- DO NOT SCALE THIS DRAWING.
- UNLESS OTHERWISE SPECIFIED, ALL DIMENSIONS ARE AFTER PLATING.
- CUSTOMER NOTE: SOLDER CONTACT TO CABLE. WHEN CRIMPING CONTACT TO CABLE, CRIMP WITH AMPHENOL TOOL 227-944 (M22520/5-01) AND DIE SET 227-1221-09, CAVITY 'B' (M22520/5-09, CLOSURE 'B'). (OR CTL-2, .068 HEX)
- CRIMP WITH AMPHENOL TOOL 227-944 (M22520/5-01) AND DIE SET 227-1221-09 CAVITY 'A' (M22520/5-09 CLOSURE 'A'). (OR CTL-2, .178 HEX)

31-71013-RFXB		REVISIONS			
DRAWING NO.	REV	DESCRIPTION	DATE	ECO	APPR
THIRD ANGLE PROJ.	A	RELEASE TO MFG.	12/10/07	46869	CPM/



CUSTOMER OUTLINE DRAWING
ALL OTHER SHEETS ARE FOR INTERNAL USE ONLY

UNLESS OTHERWISE SPECIFIED, DIMENSIONS ARE IN INCHES AND TOLERANCES ARE: 2 PLACE DECIMAL ±.015 (0,381 mm) 3 PLACE DECIMAL ±.005 (0,127 mm) ANGLES ± 1'	MATERIAL	DRAWN C. McGRATH	DATE 11/26/07	TITLE BNC CRIMP PLUG FOR RG-179, 187 CABLE 75 OHM BULK PACK 50		Amphenol Amphenol Corporation RF/Microwave Operations Danbury, Conn. U.S.A. 06810	
	REFERENCE EAR 2570	ENGINEER D. BARTHELMES	DATE 11/26/07				
NOTICE - These drawings, specifications, or other data (1) are, and remain the property of Amphenol Corp. (2) must be returned upon request; and (3) are confidential and not to be disclosed to any person other than those to whom they are given by Amphenol Corp. The furnishing of these drawings, specifications, or other data by Amphenol Corp., or to any other person to anyone for any purpose is not to be regarded by implication or otherwise in any manner licensing, granting rights or permitting such holder or any other person to manufacture, use or sell any product, process or design, patented or otherwise, that may in any way be related to or disclosed by said drawings, specifications, or other data.		APPROVED D. BARTHELMES	DATE 12/10/07	SCALE: 4:1	SHEET 2 OF 2		
		CAD FILE H:\DEPT611\BNC\031\ASSY\71013\RFXBSHT1	CODE ID 74868	DWG SIZE B	DRAWING NO. 31-71013-RFXB	ISSUE A	