

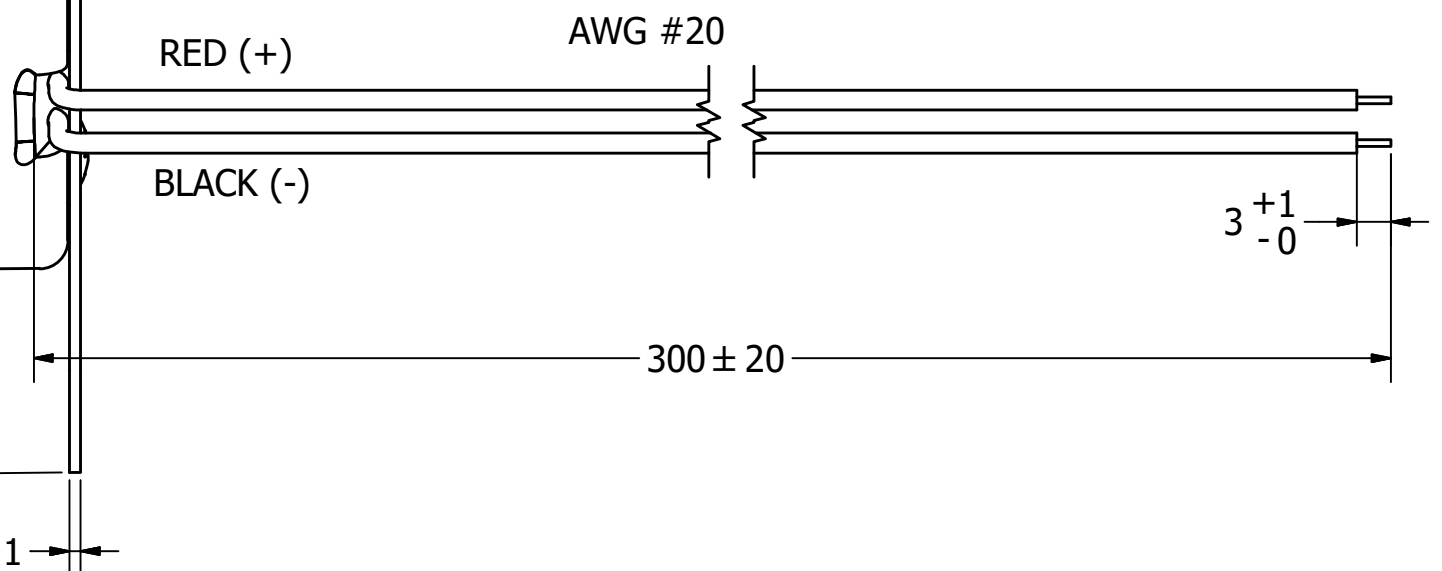
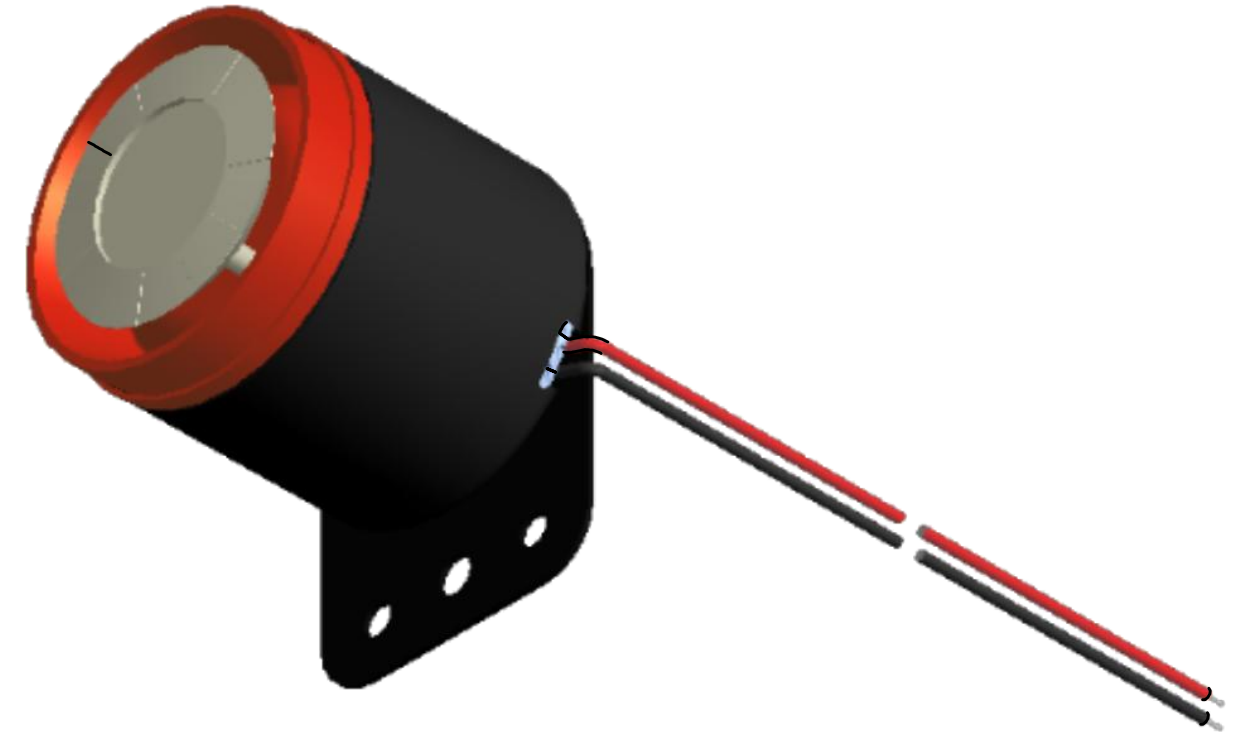
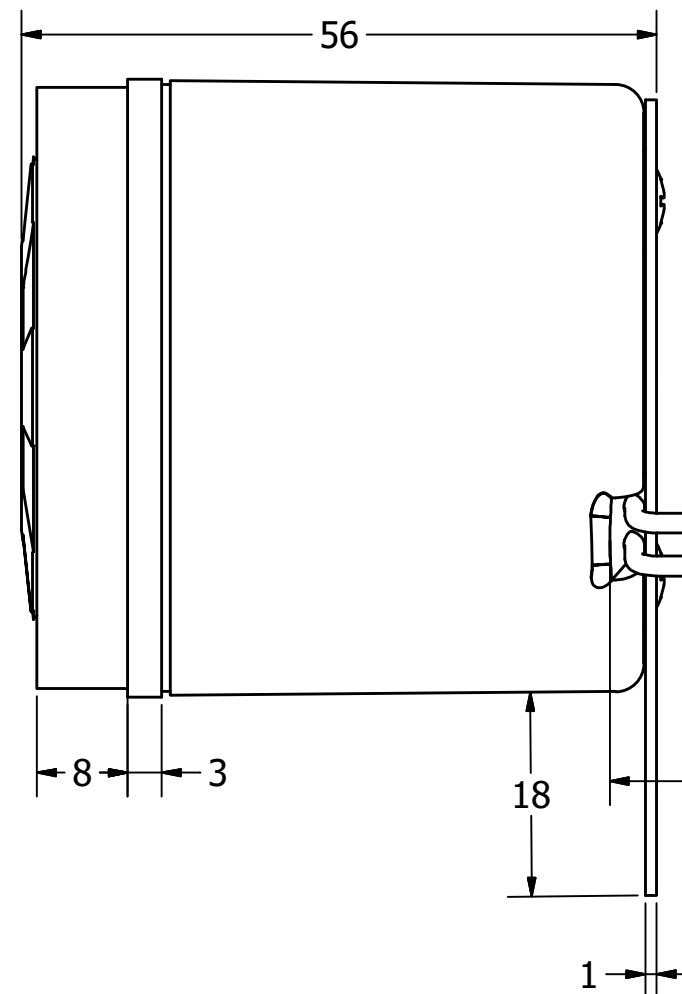
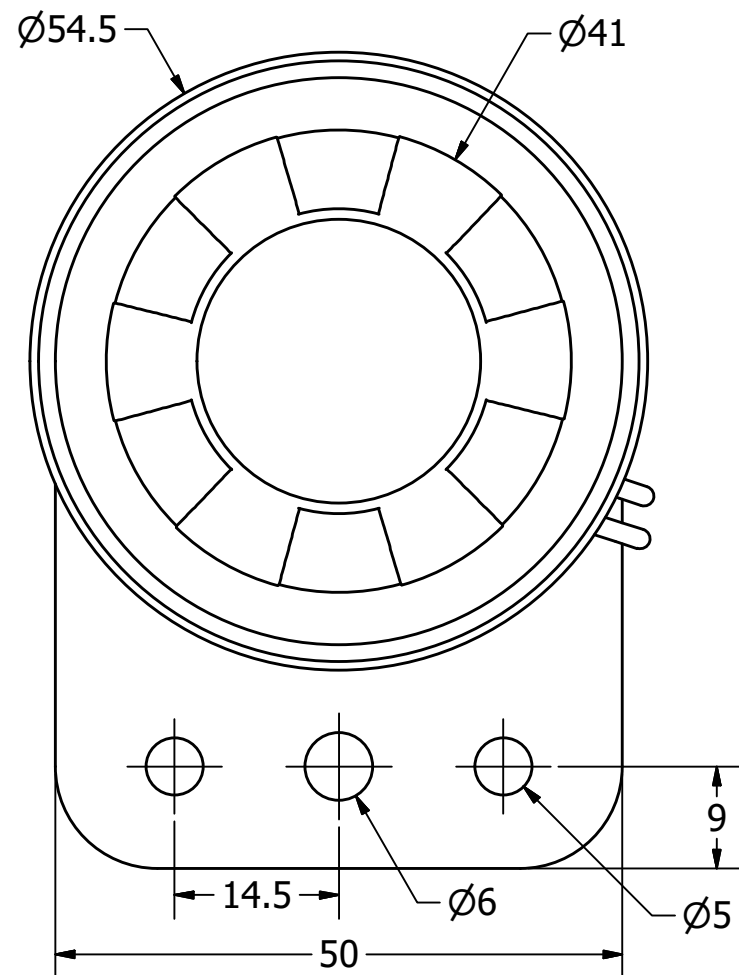
SPECIFICATIONS

PARAMETERS	VALUES	UNITS
RATED VOLTAGE	12	Vdc
OPERATING VOLTAGE RANGE	6 ~ 16	Vdc
RATED CURRENT (MAX)	260	mA
MINIMUM SPL @ 10 CM	123	dBa
RESONANT FREQUENCY	2,000/4,000 ± 500	Hz
TONE OR PULSE RATE	SIREN	3.0 pulse /sec
OPERATING TEMPERATURE	-30 ~ +70	°C
STORAGE TEMPERATURE	-30 ~ +70	°C
HOUSING MATERIAL	UL94 ABS	-
TERMINAL MATERIAL	LEAD WIRES	-
WEIGHT	91.6	grams

THIS DOCUMENT CONTAINS DATA PROPRIETARY TO PROJECTS UNLIMITED, INC. ANY USE OR REPRODUCTION, IN ANY FORM, WITHOUT PRIOR WRITTEN PERMISSION OF PROJECTS UNLIMITED, INC. IS PROHIBITED.
©2003, Projects Unlimited Inc.

REVISION HISTORY

LTR	DESCRIPTION	DATE	APPROVED
-	RELEASED FROM ENGINEERING	5/15/2006	
A	REVISED TO INVENTOR 3-D DRAWING TEMPLATE	3/26/2008	B.R.
B	REVISED LENGTH DIMENSION	9/1/2011	B.R.
C	REVISED OPERATING TEMPERATURE	4/9/2018	M.V.
D	REVISED WEIGHT	2/27/2020	M.V.



NOTES:

1. ALL DIMENSIONS ARE IN MILLIMETERS.
2. SPECIFICATIONS SUBJECT TO CHANGE OR WITHDRAWL WITHOUT NOTICE.
3. THIS PART IS RoHS 2002/95/EC COMPLIANT.

UNLESS OTHERWISE SPECIFIED: DIMENSIONS ARE IN MILLIMETERS, TOLERANCES ARE ±0.5 AND ANGLES ARE ±3°.	SIZE A3	Designed by	Date	Checked by	Date	Approved by	Date	Drawn Date
		J.D.	5/15/2006	E.P.	5/15/2006	B.R.	5/15/2006	3/26/2008
XL-5530-LW300-S-R.idw				XL-5530-LW300-S-R			Indicator	
							Edition	Sheet
							-	1 / 1