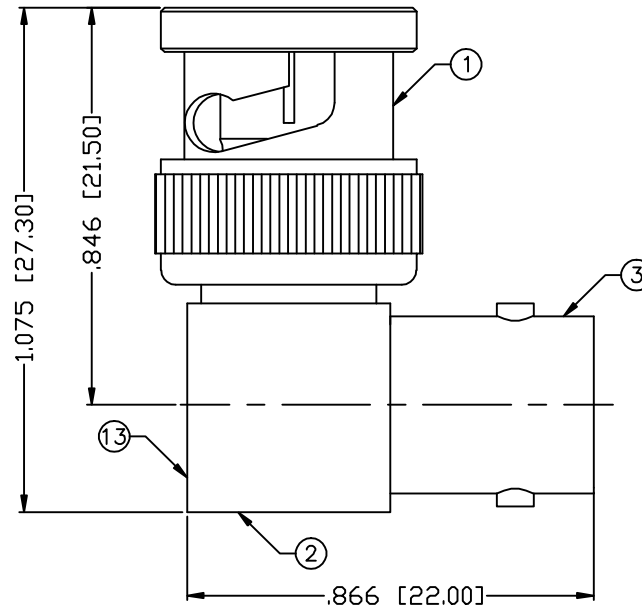


THIS DRAWING CONTAINS INFORMATION PROPRIETARY TO RF INDUSTRIES,  
 ANY UNAUTHORIZED USE OF THIS DRAWING IS EXPRESSLY PROHIBITED  
 WITHOUT WRITTEN PERMISSION FROM RF INDUSTRIES.  
 ANY VIOLATION IS PUNISHABLE UNDER U.S. COPYRIGHT LAWS.

ALL DIMENSIONS ARE REFERENCE ONLY

PART NO.		<b>RFB-1732</b>		
REV	DESCRIPTION	DWN	DATE	APPROVED
-	ENGINEERING RELEASE	CZS	9/29/98	JDMc



**SPECIFICATIONS:**

IMPEDANCE: 75 Ohms  
 FREQUENCY RANGE: 0-2 GHz  
 WORKING VOLTAGE: 500 V rms Max. @ Sea Level  
 INSULATION RESISTANCE: 5k M Ohms min.  
 TEMPERATURE RANGE: -65°C TO 85°C

1 SHELL	1	BRASS	NICKEL, 100μ"
2 BODY	1	BRASS	NICKEL, 100μ"
3 BNC BODY	1	BRASS	NICKEL, 100μ"
4 INSULATOR	1	PTFE	---
5 CONTACT	1	PHOS BRONZE	GOLD, 3μ"
6 PRESS WASHER	1	BRASS	NICKEL, 100μ"
7 INSULATOR	1	PTFE	---
8 GASKET	1	RUBBER	---
9 RETAINING RING	1	BRASS	NICKEL, 100μ"
10 SPRING	1	SK-5	NICKEL, 200μ"
11 WASHER	1	BRASS	NICKEL, 100μ"
12 PIN	1	BRASS	GOLD, 3μ"
13 BACK COVER	1	BRASS	NICKEL, 100μ"
14			

008974	
DRAWN C. ZUNIGA	4/9/02
CHECKED	
ORJ DRAWN C. ZUNIGA	4/9/02

UNLESS OTHERWISE SPECIFIED:  
 1. REMOVE ALL BURRS  
 2. BREAK ALL CORNERS & EDGES .005 R. MAX.  
 3. CHAMFER 1ST & LAST THREADS 45°  
 4. SURFACE ROUGHNESS 63 FINISH MIL-STD-10  
 5. DIAMETERS ON COMMON CENTERS TO BE CONCENTRIC WITHIN .002 T.I.R.  
 6. ALL DIMENSIONS ARE AFTER PLATING.

DIMENSIONS ARE IN INCHES AND [MILLIMETERS]  
 UNLESS OTHERWISE NOTED TOLERANCES ARE:  
 DECIMALS      DIAMETER  
 .XXX±.003 [.08]      .XXX±.001 [.03]  
 .XX±.005 [.13]      .XX±.003 [.08]

**RF connectors** 7610 MIRAMAR RD  
 SAN DIEGO, CA 92126  
 (858) 549-6340  
 DIVISION OF RF INDUSTRIES, LTD. (858) 549-6345 FAX

**BNC PLUG TO JACK**

RIGHT ANGLE, ADAPTER

SIZE A	CABLE GROUP N/A	DWG NO. RFB-1732	REV -
-----------	--------------------	---------------------	----------

#	DESCRIPTION	QTY	MATERIAL	FINISH	APPROVALS	DATE	SCALE: NTS	CAD FILE OUTLINE	SHEET 1 OF 1
---	-------------	-----	----------	--------	-----------	------	------------	------------------	--------------