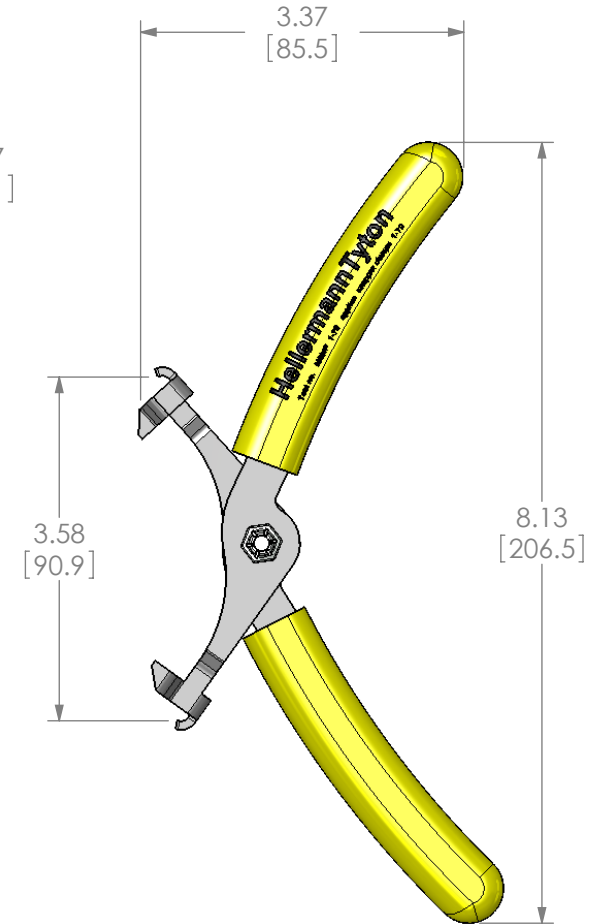
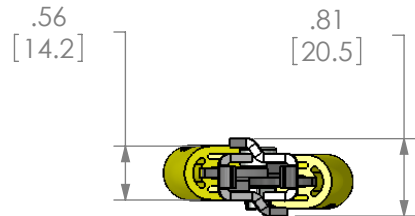


JAWS CLOSED



JAWS OPENED  
MAXIMUM

NOTES:

- 1) TOOL IS USED TO CLOSE SNP1 THRU SNP 70 SERIES HELLERMANNTYTON SNAPPER CLAMPS.
- 2.0) TOOL OPERATION:
- 2.1) FINGER TIGHTEN SNAPPER TO A HOSE TYPE APPLICATION.
- 2.2) APPLY JAWS OF TOOL TO HEAD OF SNAPPER AND SQUEEZE HANDLES UNTIL 2-3 ADDITIONAL TEETH (CLICKS) ARE MADE.
- 3) SEE SHEET 2 TO DISASSEMBLE A SNAPPER.

INVENTORS

**HellermannTyton**

ALL PROPRIETARY RIGHTS IN THE SUBJECT MATTER SHOWN ON THIS DRAWING ARE EXCLUSIVE PROPERTY OF HELLERMANNTYTON

name	date	city, state

REVISION

D level	
drawn by	WKL
date	11/10/2009
ECN #	011431
part level	-

DIMENSIONS

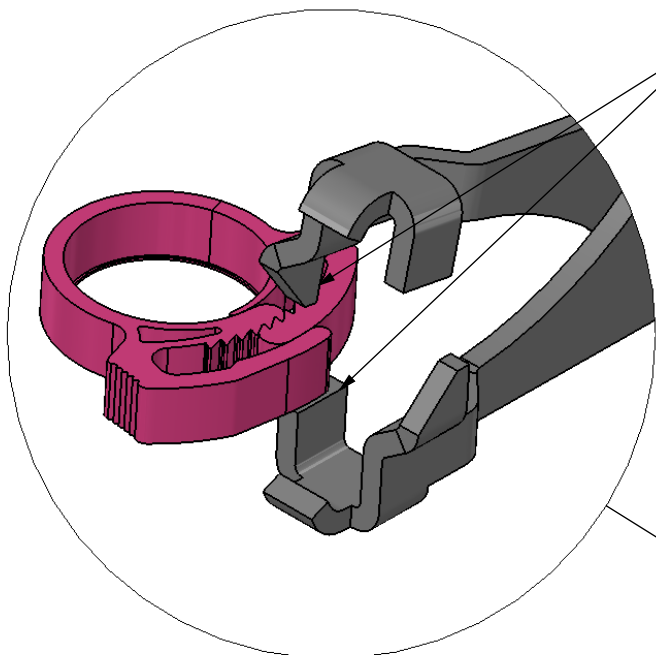
FOOTER DIMENSIONS	.xxxx = ±.0005
	.xxx = ±.005
	.xx = ±.01
	.x = ±.03
	∠ = ±0.5°
	unless otherwise specified
units	inches

PART

number	MSNP1-70	phase	Production
name	CUSTOMER DRAWING MSNP1-70		
material			

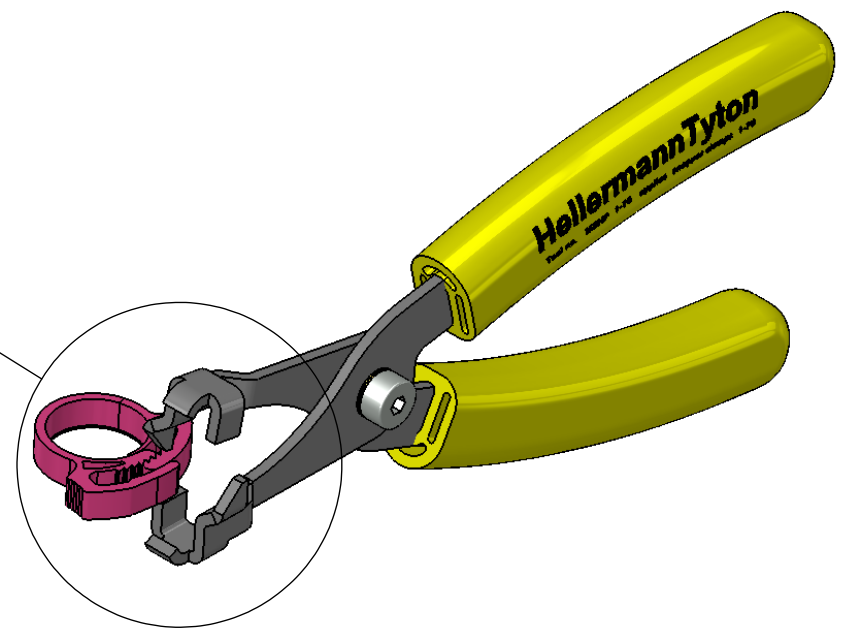
DRAWING

format	AH	CAD	SW 2010	scale	1:2
version N					
computer file name	TS2021004CST_01		previous drawing number		
drawn	WKL	checked	WKL	approved	
date	11/21/1989	checked	11/10/2009	approved	
type	Customer		sheet 1 of 2		
number	<b>TS2021004CST</b>				



- TO DISASSEMBLE A SNAPPER:
- 1) ALIGN THE FINGERS OF THE JAW AS SHOWN.
  - 2) SQUEEZE THE YELLOW HANDLES UNTIL THE ARMS OF THE SNAPPER SEPERATE AND ARE FREE AND OPEN.

DETAIL A  
SCALE 3 : 2



INVENTORS

# HellermannTyton

ALL PROPRIETARY RIGHTS IN THE SUBJECT MATTER SHOWN ON THIS DRAWING ARE EXCLUSIVE PROPERTY OF HELLERMANN TYTON

name	date	city, state

REVISION

D	level	<b>01</b>
R	by	WKL
A	date	11/10/2009
W	ECN #	011431
I	part level	-
N		
G		

DIMENSIONS

FOUR SIGNIFIGANTS	.xxxx = ±.0005
	.xxx = ±.005
	.xx = ±.01
	.x = ±.03
	∠ = ±0.5°
	unless otherwise specified
units	inches

PART

number	MSNP1-70	phase	Production
name	CUSTOMER DRAWING MSNP1-70		
material			

DRAWING

format	version	AH	CAD	SW 2010	scale	3:4
computer file name	TS2021004CST_01		previous drawing number			
drawn	WKL	checked	WKL	approved		
	11/21/1989		11/10/2009			
type	Customer		sheet 2 of 2			
number	TS2021004CST					