

CentralTM Semiconductor Corp.

145 Adams Ave., Hauppauge, NY 11788 USA
Phone (631) 435-1110 FAX (631) 435-1824

Manufacturers of World Class Discrete Semiconductors
www.centralsemi.com

CM4957

PNP HIGH FREQUENCY
SILICON TRANSISTOR

TO-72 CASE

DESCRIPTION

The CENTRAL SEMICONDUCTOR CM4957 is a Silicon PNP RF Transistor, mounted in a hermetically sealed package, designed for high frequency amplifier and non-saturated switching applications. This device is a replacement for the 2N4957.

MAXIMUM RATINGS (T_A=25°C)

| | SYMBOL | | UNITS |
|---|-----------------------------------|-------------|-------|
| Collector-Base Voltage | V _{CB0} | 30 | V |
| Collector-Emitter Voltage | V _{CEO} | 25 | V |
| Emitter-Base Voltage | V _{EBO} | 3.0 | V |
| Collector Current - Continuous | I _C | 30 | mA |
| Power Dissipation | P _D | 200 | mW |
| Power Dissipation (T _C =25°C) | P _D | 300 | mW |
| Operating and Storage Junction Temperature | T _J , T _{stg} | -65 to +200 | °C |

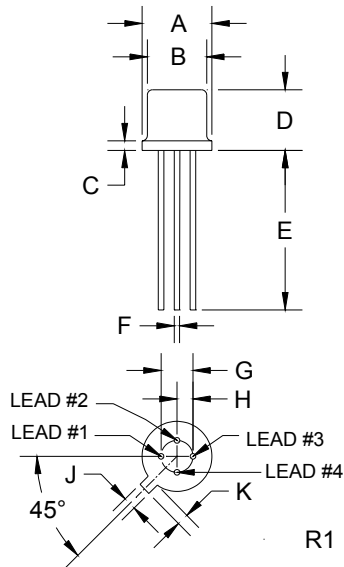
ELECTRICAL CHARACTERISTICS (T_A=25°C unless otherwise noted)

| SYMBOL | TEST CONDITIONS | MIN | TYP | MAX | UNITS |
|-------------------|---|------|-----|------|-------|
| I _{CBO} | V _{CB} =10V | | | 100 | nA |
| BV _{CB0} | I _C =100μA | 30 | | | V |
| BV _{CEO} | I _C =1.0mA | 25 | | | V |
| BV _{EBO} | I _E =100μA | 3.0 | | | V |
| h _{FE} | V _{CE} =10V, I _C =2.0mA | 20 | | 150 | |
| f _T | V _{CE} =10V, I _C =2.0mA, f=100MHz | 1200 | | 2500 | MHz |
| C _{cb} | V _{CB} =10V, I _E =0, f=1.0MHz | | 1.6 | 2.0 | pF |
| h _{fe} | V _{CE} =10V, I _C =2.0mA, f=1.0kHz | 20 | | 200 | |
| G _{pe} | V _{CE} =10V, I _C =4.0mA, f=450MHz | 17 | | 25 | dB |

(Continued)

R2

TO-72 CASE - MECHANICAL OUTLINE



| SYMBOL | INCHES | | MILLIMETERS | |
|---------|--------|-------|-------------|------|
| | MIN | MAX | MIN | MAX |
| A (DIA) | 0.209 | 0.230 | 5.31 | 5.84 |
| B (DIA) | 0.175 | 0.195 | 4.45 | 4.95 |
| C | - | 0.030 | - | 0.76 |
| D | 0.170 | 0.210 | 4.32 | 5.33 |
| E | 0.500 | - | 12.70 | - |
| F (DIA) | 0.016 | 0.019 | 0.41 | 0.48 |
| G (DIA) | 0.100 | | 2.54 | |
| H | 0.050 | | 1.27 | |
| J | 0.036 | 0.046 | 0.91 | 1.17 |
| K | 0.028 | 0.048 | 0.71 | 1.22 |

TO-72 (REV: R1)

Lead Code:

- 1) Emitter
- 2) Base
- 3) Collector
- 4) Case

CentralTM
Semiconductor Corp.

145 Adams Ave., Hauppauge, NY 11788 USA
Phone (631) 435-1110 FAX (631) 435-1824

Manufacturers of World Class Discrete Semiconductors
www.centrasemi.com

OUTSTANDING SUPPORT AND SUPERIOR SERVICES



PRODUCT SUPPORT

Central's operations team provides the highest level of support to insure product is delivered on-time.

- Supply management (Customer portals)
- Inventory bonding
- Consolidated shipping options
- Custom bar coding for shipments
- Custom product packing

DESIGNER SUPPORT/SERVICES

Central's applications engineering team is ready to discuss your design challenges. Just ask.

- Free quick ship samples (2nd day air)
- Online technical data and parametric search
- SPICE models
- Custom electrical curves
- Environmental regulation compliance
- Customer specific screening
- Up-screening capabilities
- Special wafer diffusions
- PbSn plating options
- Package details
- Application notes
- Application and design sample kits
- Custom product and package development

REQUESTING PRODUCT PLATING

1. If requesting Tin/Lead plated devices, add the suffix "TIN/LEAD" to the part number when ordering (example: 2N2222A TIN/LEAD).
2. If requesting Lead (Pb) Free plated devices, add the suffix "PBFREE" to the part number when ordering (example: 2N2222A PBFREE).

CONTACT US

Corporate Headquarters & Customer Support Team

Central Semiconductor Corp.
145 Adams Avenue
Hauppauge, NY 11788 USA
Main Tel: (631) 435-1110
Main Fax: (631) 435-1824
Support Team Fax: (631) 435-3388
www.centrasemi.com

Worldwide Field Representatives:
www.centrasemi.com/wwreps

Worldwide Distributors:
www.centrasemi.com/wwdistributors

For the latest version of Central Semiconductor's **LIMITATIONS AND DAMAGES DISCLAIMER**, which is part of Central's Standard Terms and Conditions of sale, visit: www.centrasemi.com/terms



<http://www.centrasemi.com>

Product End of Life Notification

| | |
|---------------------------|------------|
| PDN ID: | PDN01114 |
| Notification Date: | 9/06/19 |
| Last Buy Date: | Stock Only |
| Last Shipment Date | Stock Only |

Please be advised that Central Semiconductor must immediately discontinue the product(s) listed in the attached PDN notice. We are unable to accept any further orders for these products **unless** we have available inventory on hand.

You may have purchased one or more of the products listed. Please do not hesitate to contact your local Central Semiconductor sales representative with any questions or needs you may have. Central regrets any inconvenience this may cause.

Sincerely,

Central Semiconductor Corp.

DISCLAIMER: This End of Life (EOL) notification is in accordance with JEDEC standard JESD48 - Product Discontinuance. Central Semiconductor Corp. will make every effort to offer life-time buy (LTB) opportunities and/or offer replacement devices to existing customers for discontinued devices, however, one or both may not be possible for all devices. Please contact your local Central Semiconductor sales representative for LTB opportunities/additional information.

Product End of Life Notification

| | |
|---------------------------|------------|
| PDN ID: | PDN01114 |
| Notification Date: | 9/06/19 |
| Last Buy Date: | Stock Only |
| Last Shipment Date | Stock Only |

Summary: The CP616, CP617, CP618, CP223, CP229 and CP243 RF transistor die processes are discontinued and now classified and End of Life (EOL).

Although Central Semiconductor Corp. makes every effort to continue to produce devices that have been proclaimed EOL (End of Life) by other manufacturers, it is an accepted industry practice to discontinue certain devices when customer demand falls below a minimum level of sustainability. Accordingly, the following product(s) have been transitioned to End of Life status as part of Central's ongoing Product Management Process. Any replacement products are noted below. The effective date for placing last purchase orders will be six (6) months from the date of this notice and twelve (12) months from the notice date for final shipments, and minimum order quantities may apply. The last purchase and shipment dates may be extended if inventory is available.

| <u>Central Part Number</u> | <u>Replacement</u> |
|----------------------------|--------------------|
| BFW16A | N/A, Stock Only |
| CEN1179 | N/A, Stock Only |
| CEN5503 | N/A, Stock Only |
| CM4957 | N/A, Stock Only |
| CM5160 | N/A, Stock Only |
| CM5583 | N/A, Stock Only |
| CM5943 | N/A, Stock Only |
| CP223-2N3866-CT | N/A, Stock Only |
| CP223-2N3866-WN | N/A, Stock Only |
| CP229-2N5109-CM | N/A, Stock Only |
| CP229-2N5109-CT | N/A, Stock Only |
| CP229-2N5109-CT20 | N/A, Stock Only |
| CP229-2N5109-WN | N/A, Stock Only |
| CP243-CM5943-WN | N/A, Stock Only |
| CP616-CM5160-CT | N/A, Stock Only |
| CP616-CM5160-CT20 | N/A, Stock Only |
| CP616-CM5160-WN | N/A, Stock Only |
| CP616-2N5160-CM | N/A, Stock Only |
| CP616-2N5160-CT | N/A, Stock Only |
| CP616-2N5160-WN | N/A, Stock Only |
| CP617-CEN1271-CM | N/A, Stock Only |
| CP617-CEN1271-CT | N/A, Stock Only |
| CP617-CEN1271-WN | N/A, Stock Only |
| CP617-CM4957-CM | N/A, Stock Only |
| CP617-CM4957-CT | N/A, Stock Only |
| CP617-CM4957-CT20 | N/A, Stock Only |
| CP617-CM4957-WN | N/A, Stock Only |
| CP618-CM5583-CT | N/A, Stock Only |
| CP618-CM5583-WN | N/A, Stock Only |
| CP618-2N5583-WN | N/A, Stock Only |
| 2N3866 | N/A, Stock Only |
| 2N3866 TRAY | N/A, Stock Only |
| 2N3866A | N/A, Stock Only |
| 2N4427 | N/A, Stock Only |
| 2N5109 | N/A, Stock Only |
| 2N5109UB BK | N/A, Stock Only |

*** CONTINUED ***

DISCLAIMER: This End of Life (EOL) notification is in accordance with JEDEC standard JESD48 - Product Discontinuance. Central Semiconductor Corp. will make every effort to offer life-time buy (LTB) opportunities and/or offer replacement devices to existing customers for discontinued devices, however, one or both may not be possible for all devices. Please contact your local Central Semiconductor sales representative for LTB opportunities/additional information.



<http://www.centrasemi.com>

Product End of Life Notification

| | |
|---------------------------|------------|
| PDN ID: | PDN01114 |
| Notification Date: | 9/06/19 |
| Last Buy Date: | Stock Only |
| Last Shipment Date | Stock Only |

Please be advised that Central Semiconductor must immediately discontinue the product(s) listed in the attached PDN notice. We are unable to accept any further orders for these products **unless** we have available inventory on hand.

You may have purchased one or more of the products listed. Please do not hesitate to contact your local Central Semiconductor sales representative with any questions or needs you may have. Central regrets any inconvenience this may cause.

Sincerely,

Central Semiconductor Corp.

DISCLAIMER: This End of Life (EOL) notification is in accordance with JEDEC standard JESD48 - Product Discontinuance. Central Semiconductor Corp. will make every effort to offer life-time buy (LTB) opportunities and/or offer replacement devices to existing customers for discontinued devices, however, one or both may not be possible for all devices. Please contact your local Central Semiconductor sales representative for LTB opportunities/additional information.



<http://www.centrasemi.com>

Product End of Life Notification

| | |
|---------------------------|------------|
| PDN ID: | PDN01114 |
| Notification Date: | 9/06/19 |
| Last Buy Date: | Stock Only |
| Last Shipment Date | Stock Only |

*** CONTINUED FROM PRIOR PAGE ***

| <u>Central Part Number</u> | <u>Replacement</u> |
|----------------------------|--------------------|
|----------------------------|--------------------|

Central would be happy to assist you by providing additional information or technical data to help locate an alternate source if we have no replacement available. Please email your requests to engineering@centrasemi.com.

DISCLAIMER: This End of Life (EOL) notification is in accordance with JEDEC standard JESD48 - Product Discontinuance. Central Semiconductor Corp. will make every effort to offer life-time buy (LTB) opportunities and/or offer replacement devices to existing customers for discontinued devices, however, one or both may not be possible for all devices. Please contact your local Central Semiconductor sales representative for LTB opportunities/additional information.