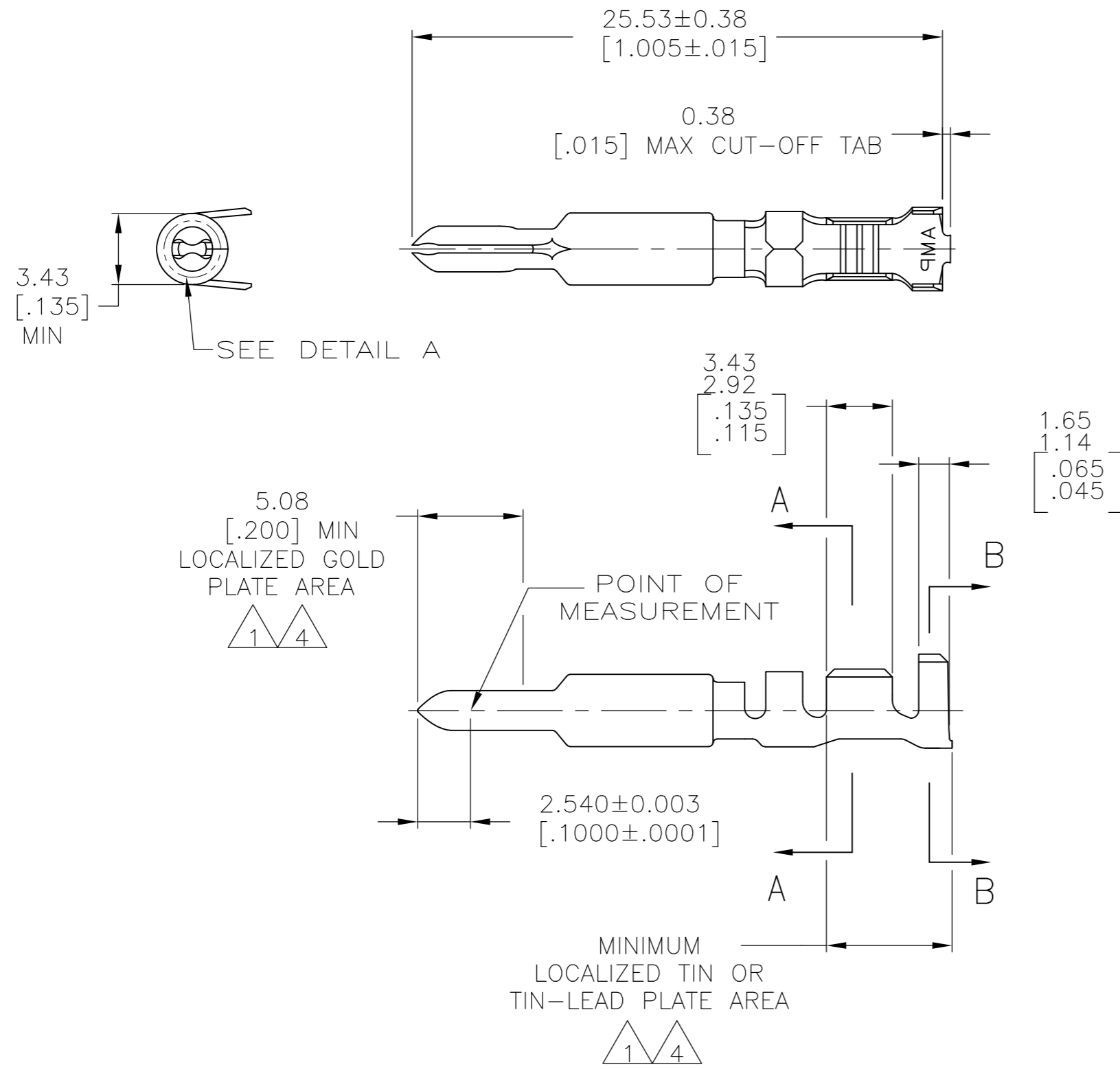


THIS DRAWING IS UNPUBLISHED. RELEASED FOR PUBLICATION
 © COPYRIGHT - By - ALL RIGHTS RESERVED.

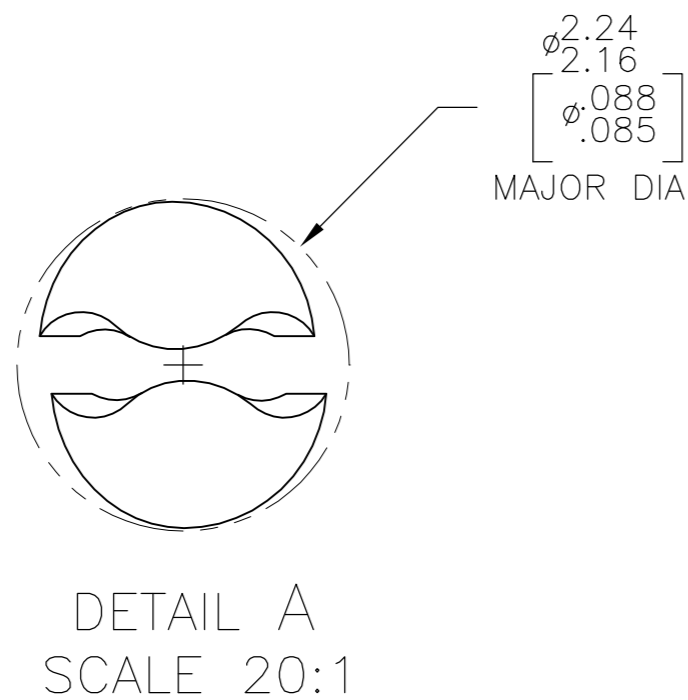
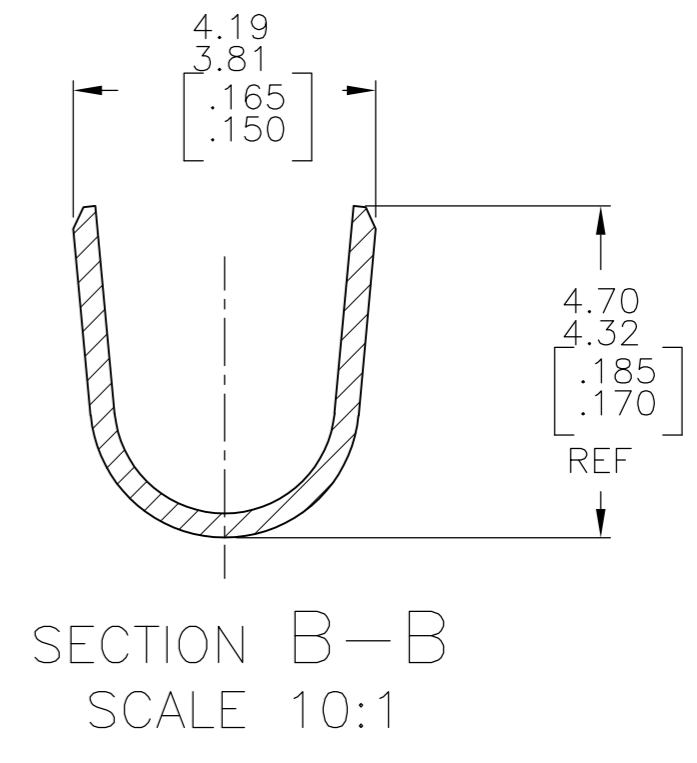
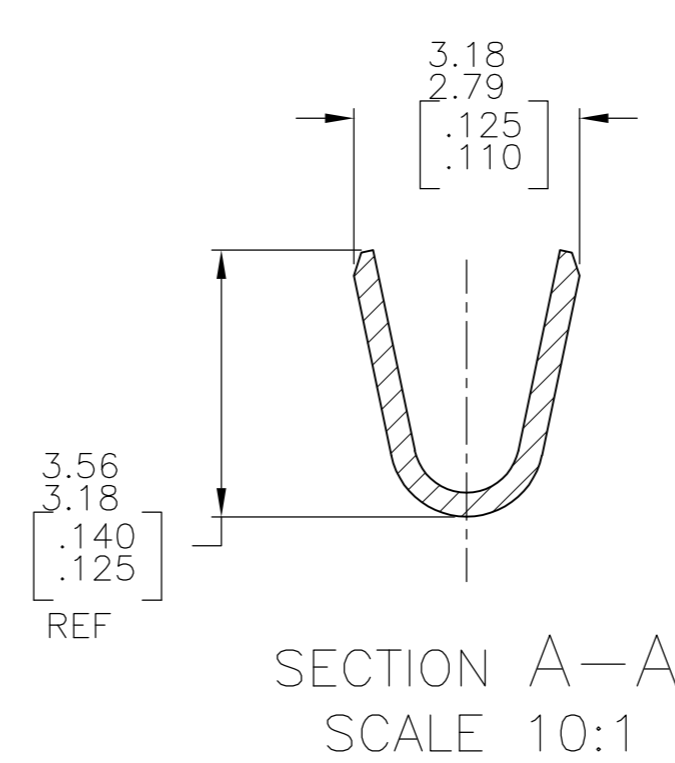
LOC		DIST		REVISIONS			
P	LTR	DESCRIPTION		DATE	DWN	APVD	
CM	00	F		REVISED PER ECR-13-008204	10DEC2013	KH	TM



- 1 0.00076[.000030] MIN GOLD AT POINT OF MEASUREMENT IN THE LOCALIZED GOLD PLATE AREA, 0.00127[.000050] MIN TIN-LEAD IN TIN-LEAD PLATE AREA, 0.00127[.000050] MIN NICKEL UNDERPLATE ON ENTIRE CONTACT.
- 2 WIRE RANGE: 0.5-2mm² [20-14 AWG]. INSULATION RANGE: 1.52-3.30 [.060-.130] DIA.
- 3 DIMENSIONS IN BRACKETS ARE IN INCHES.
- 4 0.00076[.000030] MIN GOLD AT POINT OF MEASUREMENT IN THE LOCALIZED GOLD PLATE AREA, 0.00127[.000050] MIN TIN IN TIN PLATE AREA, 0.00127[.000050] MIN NICKEL UNDERPLATE ON ENTIRE CONTACT.
- 5 SUPERSEDED BY 1-770250-0.

5.08
[.200] MIN
LOCALIZED GOLD
PLATE AREA
1 4

MINIMUM
LOCALIZED TIN OR
TIN-LEAD PLATE AREA
1 4



5	GOLD 4	0.30 [.012]	BRASS	1-770250-0
	GOLD 1	0.30 [.012]	BRASS	-770250-2-
	PRE-TIN	0.30 [.012]	BRASS	770250-1
	FINISH		MATERIAL	PART NUMBER

DIMENSIONS:		TOLERANCES UNLESS OTHERWISE SPECIFIED:		DWN		S. CARPENTER		21MAY03		
mm [INCHES]		0 PLC	± -	CHK	C.JONES	21MAY03	TE Connectivity			
		1 PLC	± -	APVD	C.JONES	21MAY03	NAME			
		2 PLC	± -	PRODUCT SPEC	C.JONES	21MAY03	PIN, LOOSE PIECE, UNIVERSAL MATE-N-LOK(TM) II			
		3 PLC	± -	APPLICATION SPEC			SIZE	CAGE CODE	DRAWING NO	RESTRICTED TO
		4 PLC	± -	FINISH			A2	00779	C=770250	-
MATERIAL	SEE TABLE	ANGLES	± -	WEIGHT	-		SCALE	SHEET	REV	
				CUSTOMER DRAWING			4:1	1 of 1	F	