

ITEM	PART#	DESCRIPTION	QTY	UOM
A	9508030	KK 156 Crimp Housing 03 Ckt	1	PC
B	8500105	KK 156 TERMINAL CRIMP 18-24 AWG TIN	3	PC
C		PAPER PRINTED PAPER WHITE	1	PC

FROM	TO	DESCRIPTION	COLOR
A1	--	1X18AWG MPPE BK UL11028	BLACK
A2	--	1X18AWG MPPE BK UL11028	BLACK
A3	--	1X18AWG MPPE BK UL11028	BLACK

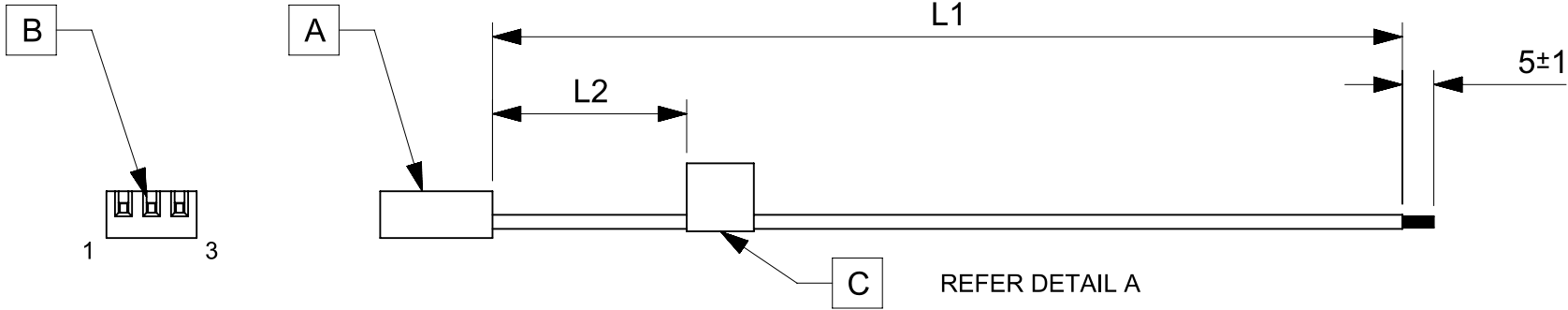


TABLE			
PART NUMBER	L1	L2 (REF)	TITLE
2196651032	150±4	50	KK 3.96 R-S 3ckt 150mm disc Sn
2196651033	300±4	50	KK 3.96 R-S 3ckt 300mm disc Sn
2196651034	600±6	50	KK 3.96 R-S 3ckt 600mm disc Sn

NOTES

1. Connector view shown is from mating side.
2. Label text must be 2mm max. in height with Arial font.
3. Label must be wrapped in Flag type on a single cable.
4. Free ends must be stripped, twisted & tinned. The length of tinning is 5±1mm. Tinning Dia must be 1.6 mm Max.

MOLEX P/N
MOLEX
BATCH WK/YR

DETAIL A

REVISION			
DATE	REV	DESCRIPTION	CHANGER
2021/12/27	A	INITIAL RELEASE	SAIKIG

FUNCTIONAL SYMBOLS $\nabla_A = 0$ $\nabla_E = 0$ $\nabla_P = 0$	THIS DRAWING CONTAINS INFORMATION THAT IS PROPRIETARY TO MOLEX ELECTRONIC TECHNOLOGIES, LLC AND SHOULD NOT BE USED WITHOUT WRITTEN PERMISSION		CURRENT REV DESC:			
	DIMENSION UNITS	SCALE	GENERAL TOLERANCES (UNLESS SPECIFIED)			
	mm	NTS	ANGULAR TOL ± °			
	4 PLACES ±		3 PLACES ±			
DIVISIONAL SYMBOLS	EC NO: 691733		2021/12/29		PRODUCT CUSTOMER DRAWING DOCUMENT NUMBER: 2196651032 DOC TYPE: PSD DOC PART: 000 REVISION: A	
	DRWN: SAIKIG		2022/01/19			
	CHK'D: MNARAYAN01		2022/01/19			
	APPR: MNARAYAN01		2022/01/19			
INITIAL REVISION:		DRWN: SAIKIG 2021/12/29		MATERIAL NUMBER: SEE TABLE CUSTOMER: GENERAL MARKET		
DRAFT WHERE APPLICABLE MUST REMAIN WITHIN DIMENSIONS		APPR: MNARAYAN01 2022/01/19				
THIRD ANGLE PROJECTION		DRAWING	SERIES	MATERIAL NUMBER	CUSTOMER	SHEET NUMBER
		A4-SIZE	219665	SEE TABLE	GENERAL MARKET	1 OF 1

DOCUMENT STATUS	P1	RELEASE DATE	2022/01/19	05:16:34
-----------------	----	--------------	------------	----------