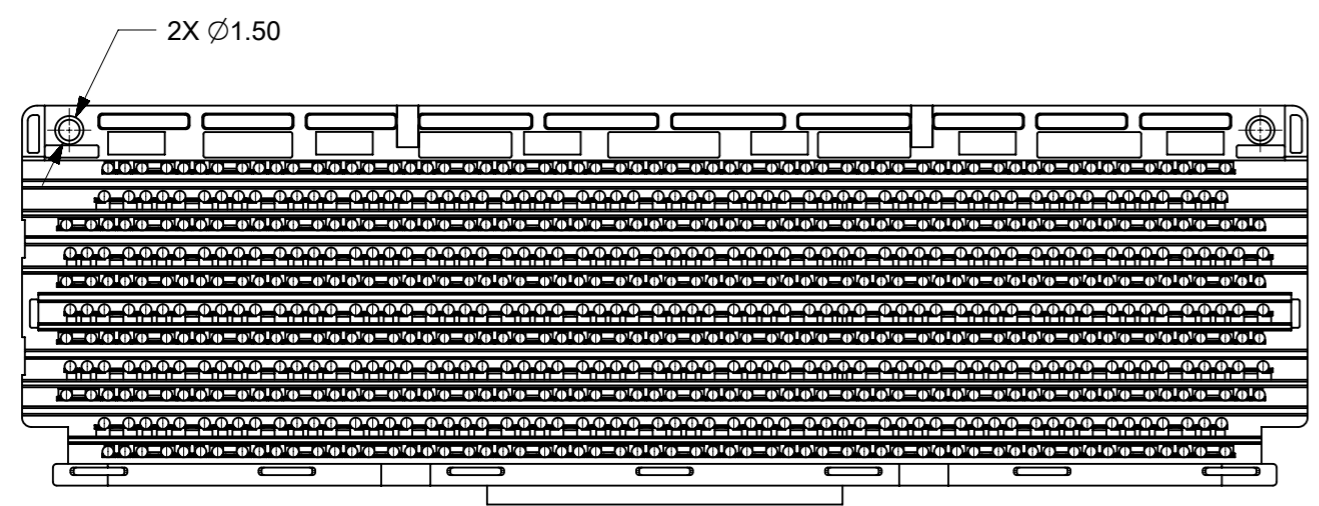
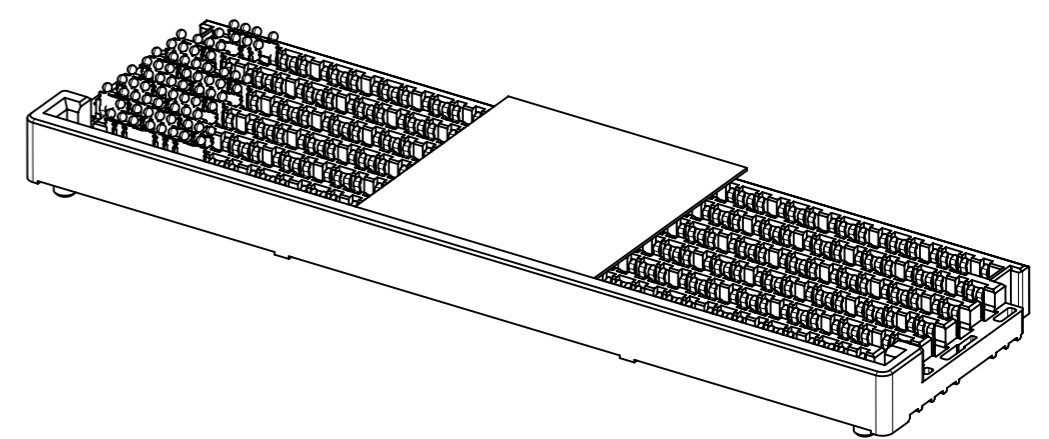
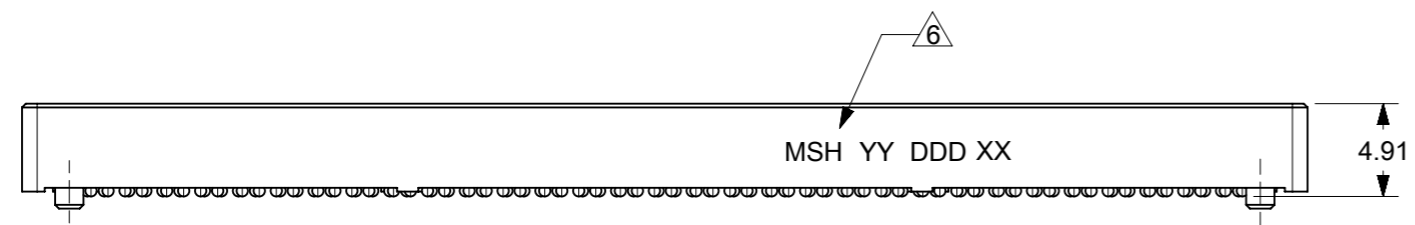
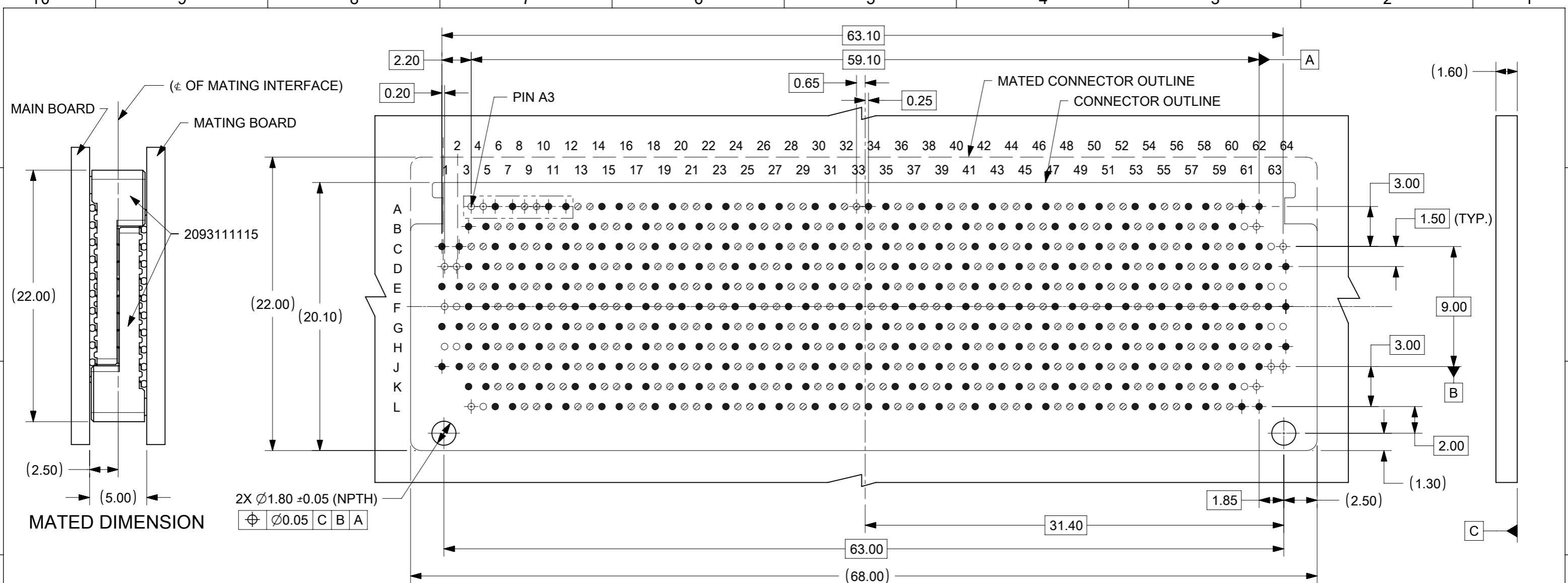


- NOTES:
- MATERIALS:
HOUSING - BLACK COLOR
HIGH TEMPERATURE THERMOPLASTIC, UL94V-0,
HALOGEN FREE.
TERMINALS - HIGH PERFORMANCE COPPER ALLOY.
SOLDER BALL - LEAD FREE SAC SOLDER ALLOY.
 - FINISH: 30μ" GOLD ON ALL CONTACT AREA.
50μ" MIN. NICKEL OVERALL.
 - PRODUCT SPECIFICATION: 2028280001PS000.
 - PACKAGING SPECIFICATION: 2093118500PDD000.
 - SEE SHEET 2 FOR PCB LAYOUT.
 - MOLEX LOGO & DATE CODE LOCATED APPROXIMATELY AS SHOWN.



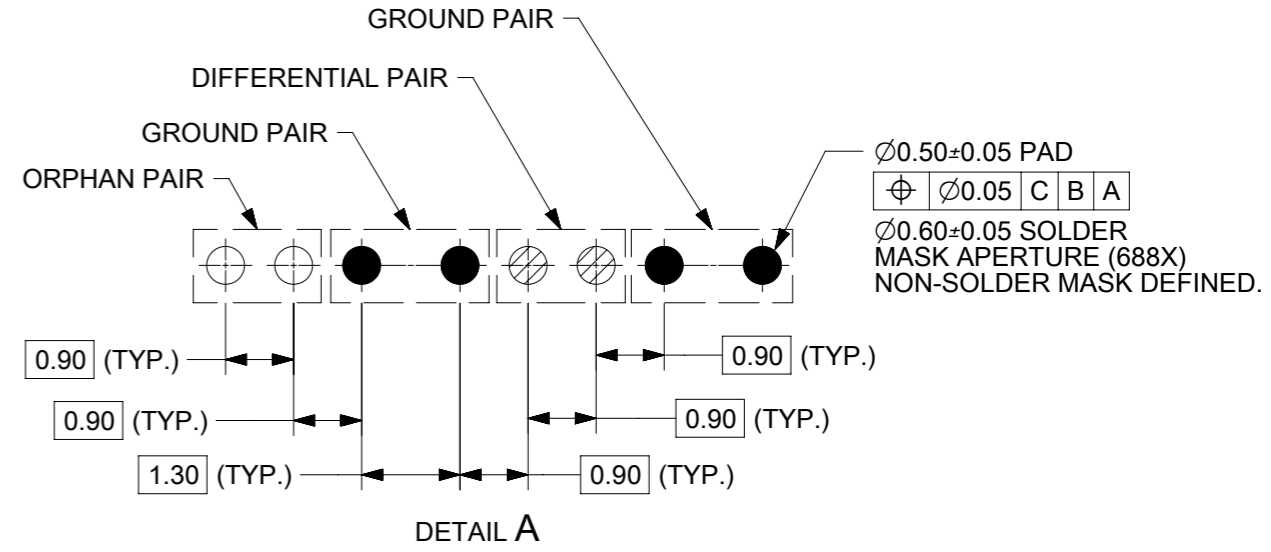
THIS DRAWING CONTAINS INFORMATION THAT IS PROPRIETARY TO MOLEX ELECTRONIC TECHNOLOGIES, LLC AND SHOULD NOT BE USED WITHOUT WRITTEN PERMISSION										
DIMENSION UNITS	SCALE	CURRENT REV DESC: RELEASED FOR PRODUCTION.			molex					
mm	NTS									
GENERAL TOLERANCES (UNLESS SPECIFIED)		EC NO: 629712			MIRROR MEZZ, 2.5MM HEIGHT, 15PX11R					
ANGULAR TOL	± °	DRWN: HCGOH 2020/01/03								
4 PLACES	±	CHK'D: NZENG 2020/01/06								
3 PLACES	±	APPR: SHONG 2020/01/08			PRODUCT CUSTOMER DRAWING					
2 PLACES	± 0.2	INITIAL REVISION:			DOCUMENT NUMBER					
1 PLACE	±	DRWN: HCGOH 2019/04/08			2093111115-SD			DOC TYPE	DOC PART	REVISION
0 PLACES	±	APPR: SHONG 2019/04/11						PSD	000	A1
DRAFT WHERE APPLICABLE MUST REMAIN WITHIN DIMENSIONS		THIRD ANGLE PROJECTION	DRAWING	SERIES	MATERIAL NUMBER	CUSTOMER		SHEET NUMBER		
			A3-SIZE	209311	2093111115	GENERAL MARKET		1 OF 2		



RECOMMENDED PCB LAYOUT

**2093111115 PIN MAPPING
(MAIN BOARD - MATING BOARD)**

/	/	A3-L3	A4-L4	A5-L5	----	A60-L60	A61-L61	A62-L62	/	/
/	/	B3-K3	B4-K4	B5-K5	----	B60-K60	B61-K61	B62-K62	/	/
C1-J1	C2-J2	C3-J3	C4-J4	C5-J5	----	C60-J60	C61-J61	C62-J62	C63-J63	C64-J64
D1-H1	D2-H2	D3-H3	D4-H4	D5-H5	----	D60-H60	D61-H61	D62-H62	D63-H63	D64-H64
E1-G1	E2-G2	E3-G3	E4-G4	E5-G5	----	E60-G60	E61-G61	E62-G62	E63-G63	E64-G64
F1-F1	F2-F2	F3-F3	F4-F4	F5-F5	----	F60-F60	F61-F61	F62-F62	F63-F63	F64-F64
G1-E1	G2-E2	G3-E3	G4-E4	G5-E5	----	G60-E60	G61-E61	G62-E62	G63-E63	G64-E64
H1-D1	H2-D2	H3-D3	H4-D4	H5-D5	----	H60-D60	H61-D61	H62-D62	H63-D63	H64-D64
J1-C1	J2-C2	J3-C3	J4-C4	J5-C5	----	J60-C60	J61-C61	J62-C62	J63-C63	J64-C64
/	/	K3-B3	K4-B4	K5-B5	----	K60-B60	K61-B61	K62-B62	/	/
/	/	L3-A3	L4-A4	L5-A5	----	L60-A60	L61-A61	L62-A62	/	/



DETAIL A

THIS DRAWING CONTAINS INFORMATION THAT IS PROPRIETARY TO MOLEX ELECTRONIC TECHNOLOGIES, LLC AND SHOULD NOT BE USED WITHOUT WRITTEN PERMISSION

DIMENSION UNITS	SCALE	CURRENT REV DESC: RELEASED FOR PRODUCTION.	molex			
mm	NTS					
GENERAL TOLERANCES (UNLESS SPECIFIED)		EC NO: 629712	MIRROR MEZZ, 2.5MM HEIGHT, 15PX11R			
ANGULAR TOL	± °	DRWN: HCGOH 2020/01/03				
4 PLACES	±	CHK'D: NZENG 2020/01/06	PRODUCT CUSTOMER DRAWING			
3 PLACES	±	APPR: SHONG 2020/01/08				
2 PLACES	± 0.2	INITIAL REVISION:	DOCUMENT NUMBER	DOC TYPE	DOC PART	REVISION
1 PLACE	±	DRWN: HCGOH 2019/04/08	2093111115-SD	PSD	000	A1
0 PLACES	±	APPR: SHONG 2019/04/11				
DRAFT WHERE APPLICABLE MUST REMAIN WITHIN DIMENSIONS	THIRD ANGLE PROJECTION	DRAWING	SERIES	MATERIAL NUMBER	CUSTOMER	SHEET NUMBER
		A3-SIZE	209311	2093111115	GENERAL MARKET	2 OF 2