

4

3

2

1

THIS DRAWING IS UNPUBLISHED.

RELEASED FOR PUBLICATION

-- --

© COPYRIGHT 2011 BY TYCO ELECTRONICS CORPORATION. ALL RIGHTS RESERVED.

LOC

DIST

REVISIONS

DW

P

LTR

DESCRIPTION

DATE

DWN

APVD

B

REVISED AS PER ECN-22-176158

25JUL2022

HS

SZ

NOTE:

1. MATERIAL:

HOUSING: THERMOPLASTIC HIGH TEMP., UL 94V-0 COLOR: BLACK.  
CONTACT: PHOSPHOR BRONZE, THICKNESS: 0.25mm.  
SHIELD: PHOSPHOR BRONZE, THICKNESS: 0.40mm.

2. FINISH:

CONTACT: GOLD FLASH OVER  
30u" MIN. PALLADIUM-NICKEL PLATING OR ALTERNATIVE  
30u" MIN. GOLD PLATING ON CONTACT AREA  
100u" MIN. MATTE-TIN PLATED ON SOLDER TAILS  
50u" MIN. NICKEL UNDERPLATED ALL OVER.SHIELD: 100u" MIN. HALF-BRIGH TIN PLATED OVER 80u" MIN. Cu  
UNDERPLATED ALL OVER.

3. REFLOW SOLDER CAPABLE TO 260°C PER TE SPEC

109-201, CONDITION B.

4. RoHS 2002/95/EC COMPLIANT

5. CHOOSE PRE-FIX FROM LEFT TABLE AND SUFFIX FROM  
RIGHT TABLE FOR DESIRED PART NUMBER COMBINATION.

6.0REF.  
1.50  
2 PLC  
2.00  
2 PLC  
0.70REF.  
MYLAR  
6.00REF.  
4.25  
3.0

PCB EDGE  
4.00  
2 PLC  
4.25  
3.50  
2 PLC  
3.90  
7.80  
6.20  
CONNECTOR OUTLINE  
RESTRICTED AREA  
2.00REF.  
3.10  
2.25  
1.20±0.10  
0.50  
5 PLC  
0.80  
2.05  
TYP

RECOMMENDED PCB LAYOUT (MOUNTING SIDE)  
(TOP VIEW) (TOLERANCE=±0.05)

9.9  
7.7

9.0  
LOGO  
3.95

6.90  
1.60  
0.80  
TYP  
3.10

0.10  
ALL SOLDERTAILS  
& MOUNT PEGS

1775051-1

PART NUMBER

THIS DRAWING IS A CONTROLLED DOCUMENT.

DWN O. HU 10MAR2005

CHK S. HOU 10MAR2005

APVD W.J. KE 10MAR2005

PRODUCT SPEC

APPLICATION SPEC

108-57509

WEIGHT 10.5 GRAMS

CUSTOMER DRAWING

NAME

MINI USB CONN., RCPT,  
5 POS, SMT, AB TYPE

SIZE

CAGE CODE

DRAWING NO

RESTRICTED TO

A3

00779

C=1775051

SCALE

SHEET

1 OF 2

REV

DIMENSIONS:

mm

TOLERANCES UNLESS  
OTHERWISE SPECIFIED:

0 PLC ± 0.50

1 PLC ± 0.38

2 PLC ± 0.25

3 PLC ± 0.10

4 PLC ±

ANGLES ± 3'

MATERIAL

SEE NOTE

FINISH

SEE NOTE

1470-19 (1/08)

4

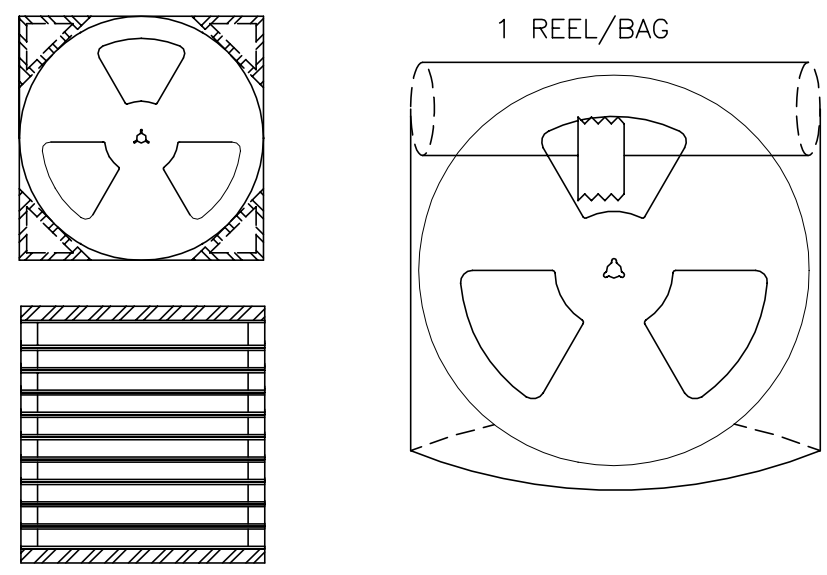
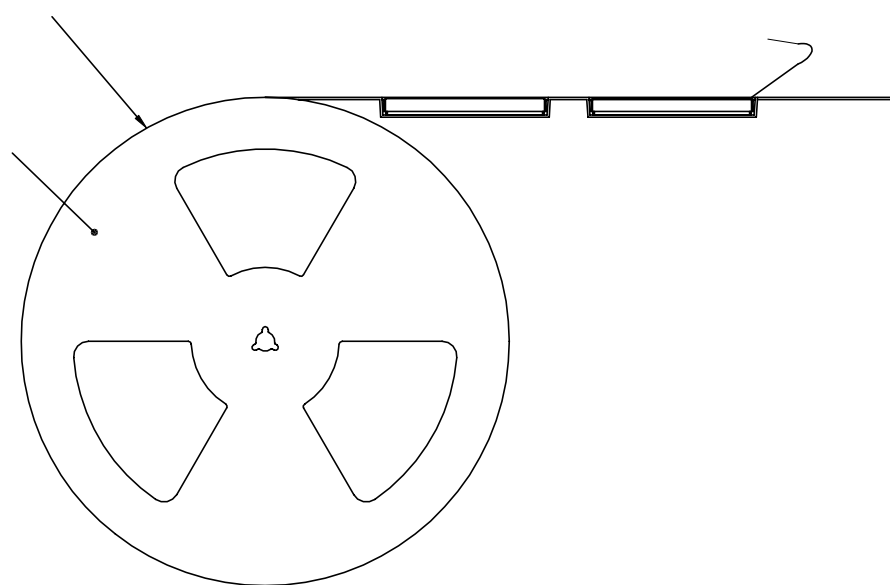
3

2

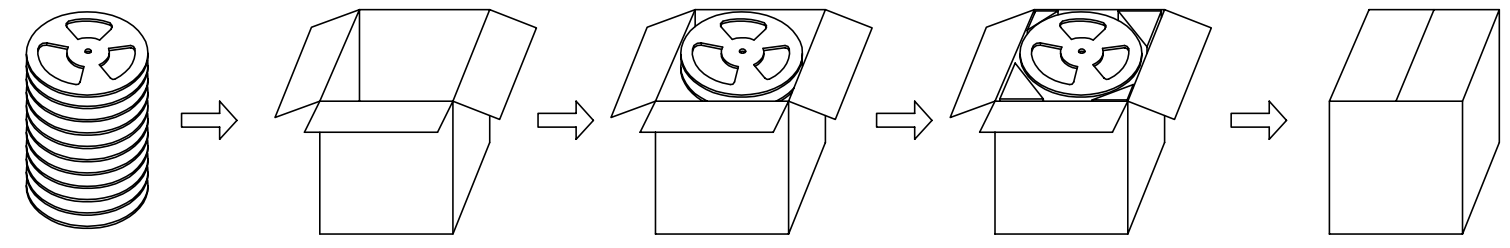
1

THIS DRAWING IS UNPUBLISHED. RELEASED FOR PUBLICATION  
 © COPYRIGHT 2011 BY TYCO ELECTRONICS CORPORATION. ALL RIGHTS RESERVED.

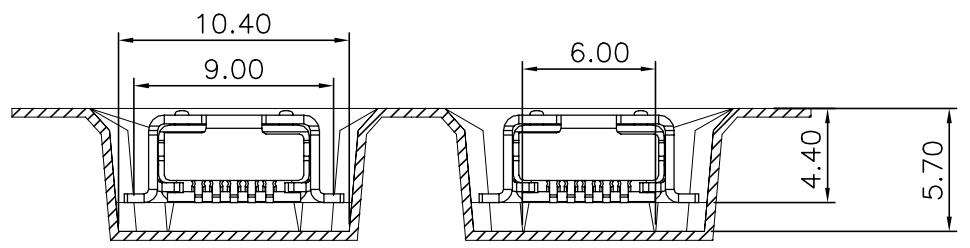
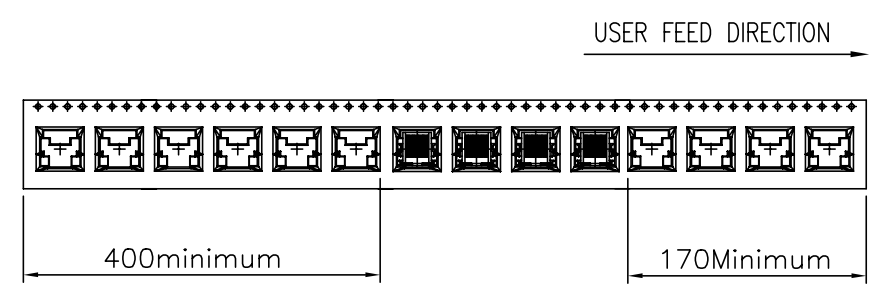
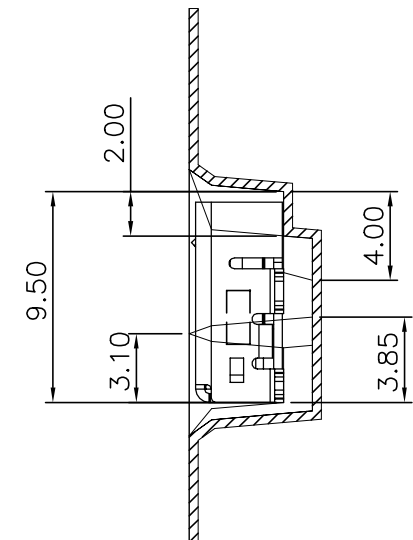
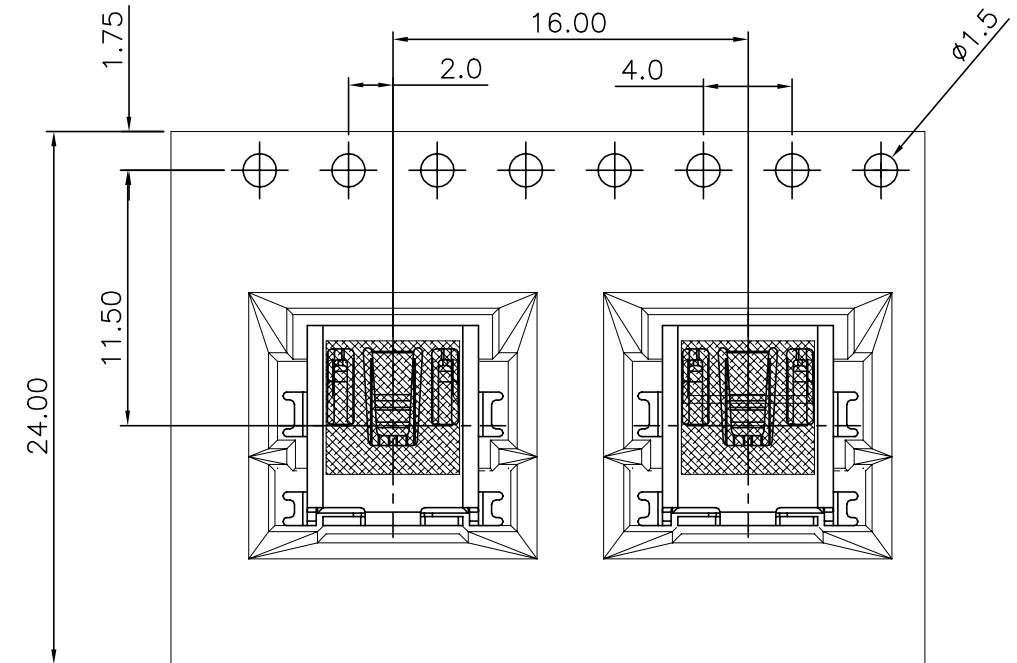
LOC	DIST	REVISIONS					
DW		P	LTR	DESCRIPTION	DATE	DWN	APVD
				SEE SHEET 1.			



- NOTES :
- MATERIAL :
    - EMBOSSED CARRIER: PS
    - COVER TAPE: PET
    - SHIPPING CARTON: CORRUGATED FIBER.
  - DIMENSION :
    - REEL: W=24 , $\phi$ A=330
    - SHIPPING CARTON: L=349.2,W=147.6, H=156.
  - QUANTITY :
    - PRIMARY PACKING: 700PCS/REEL.
    - SECONDARY PACKING: 10REEL/ CARTON(7000PCS).
  - WEIGHT :
    - NET WEIGHT: 11.5kg/CARTON.
    - GROSS WEIGHT: 10.5kg/CARTON.
  - PEELING RESISTANCE: 10g~130g.
  - PELLING SPEED: 300mm/minutes.



BOX PACKING DRAWING



THIS DRAWING IS A CONTROLLED DOCUMENT.		DWN	TE Connectivity	
DIMENSIONS: mm		CHK	NAME	
TOLERANCES UNLESS OTHERWISE SPECIFIED:		APVD	MINI USB CONN., RCPT, 5 POS, SMT, AB TYPE	
0 PLC ± -		PRODUCT SPEC	SIZE	CAGE CODE
1 PLC ± -		APPLICATION SPEC	A3	00779
2 PLC ± -		WEIGHT	DRAWING NO	
3 PLC ± -		CUSTOMER DRAWING	C=1775051	
4 PLC ± -		SCALE	RESTRICTED TO	
ANGLES ± -		SHEET	REV	
MATERIAL	FINISH	2 of 2		B