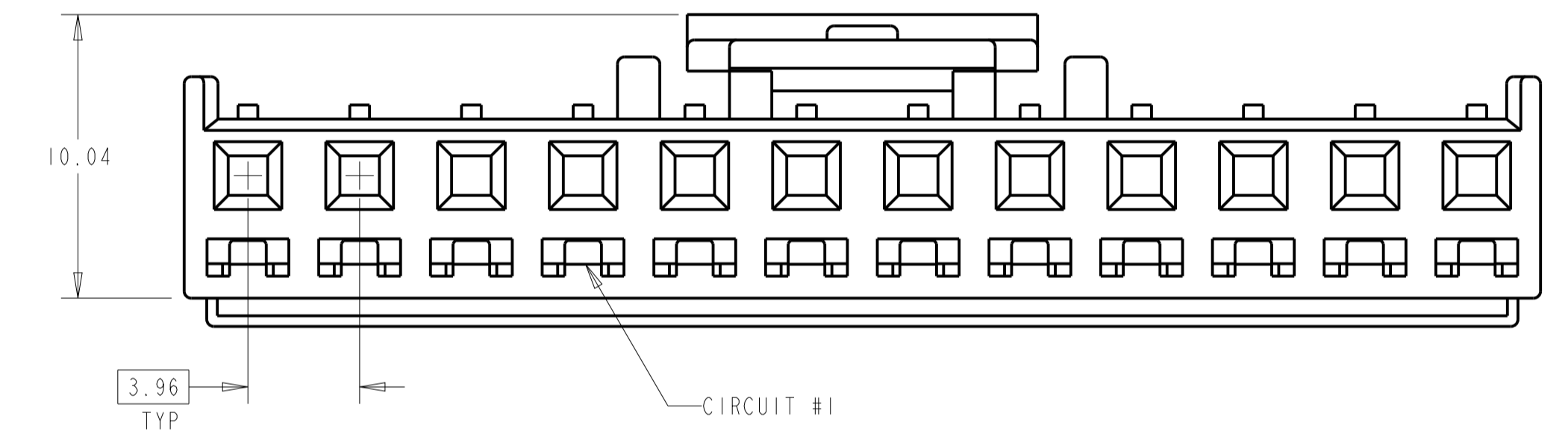
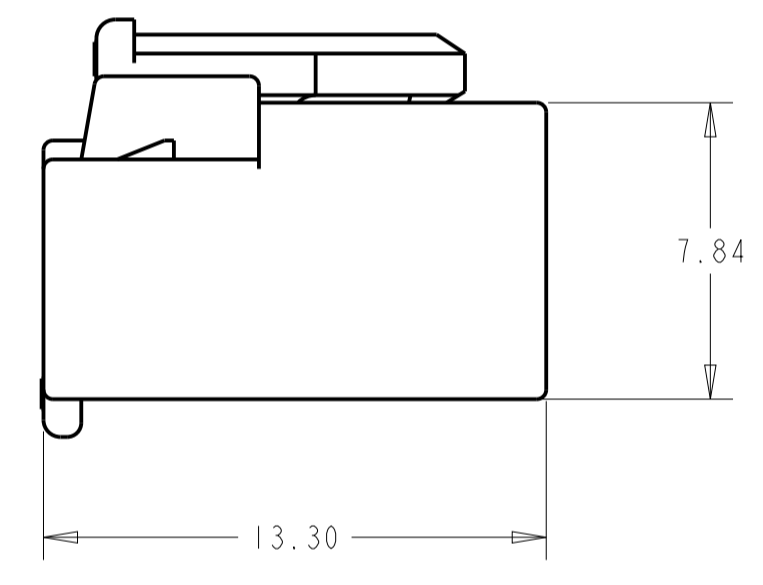
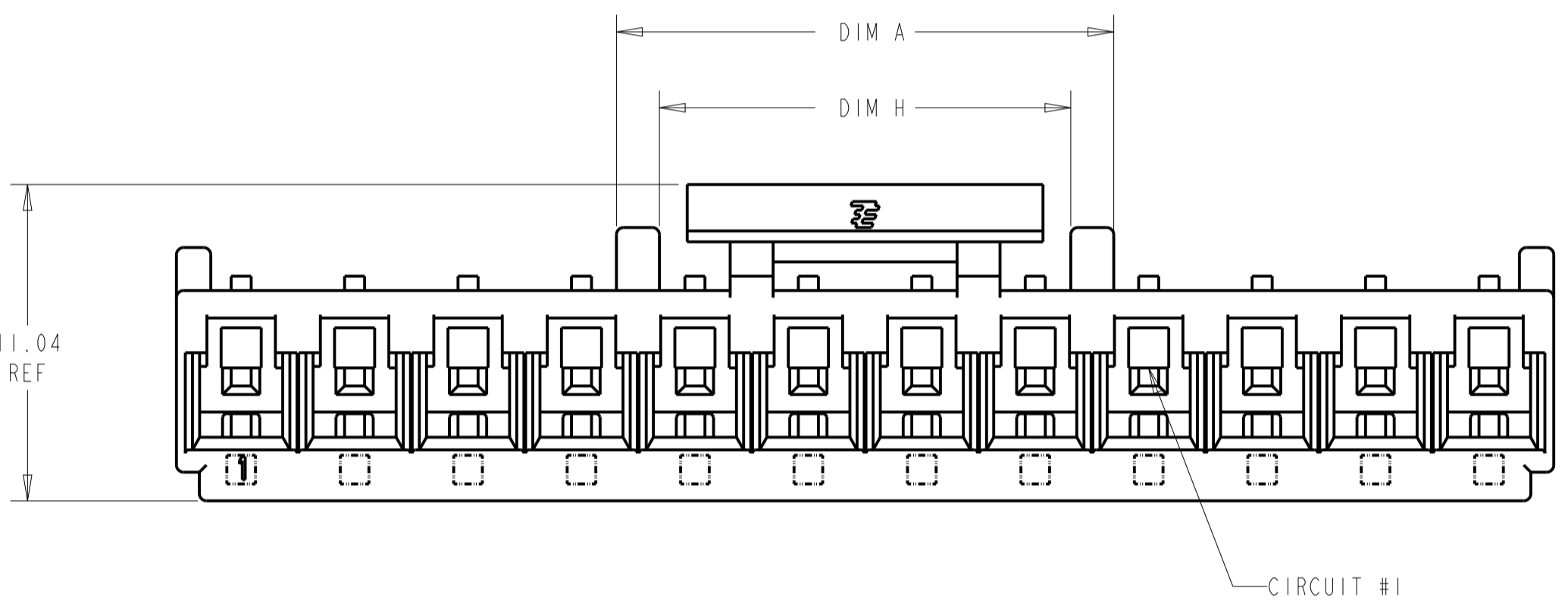
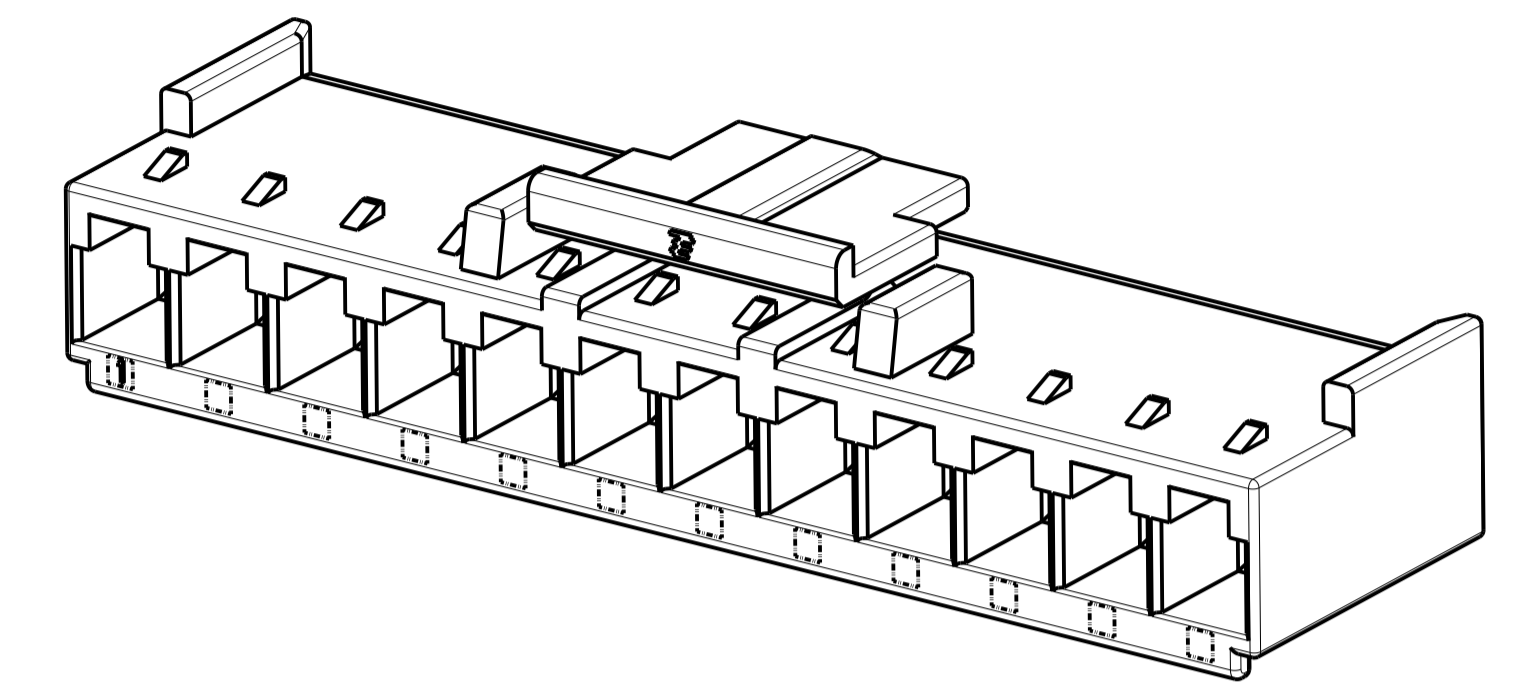
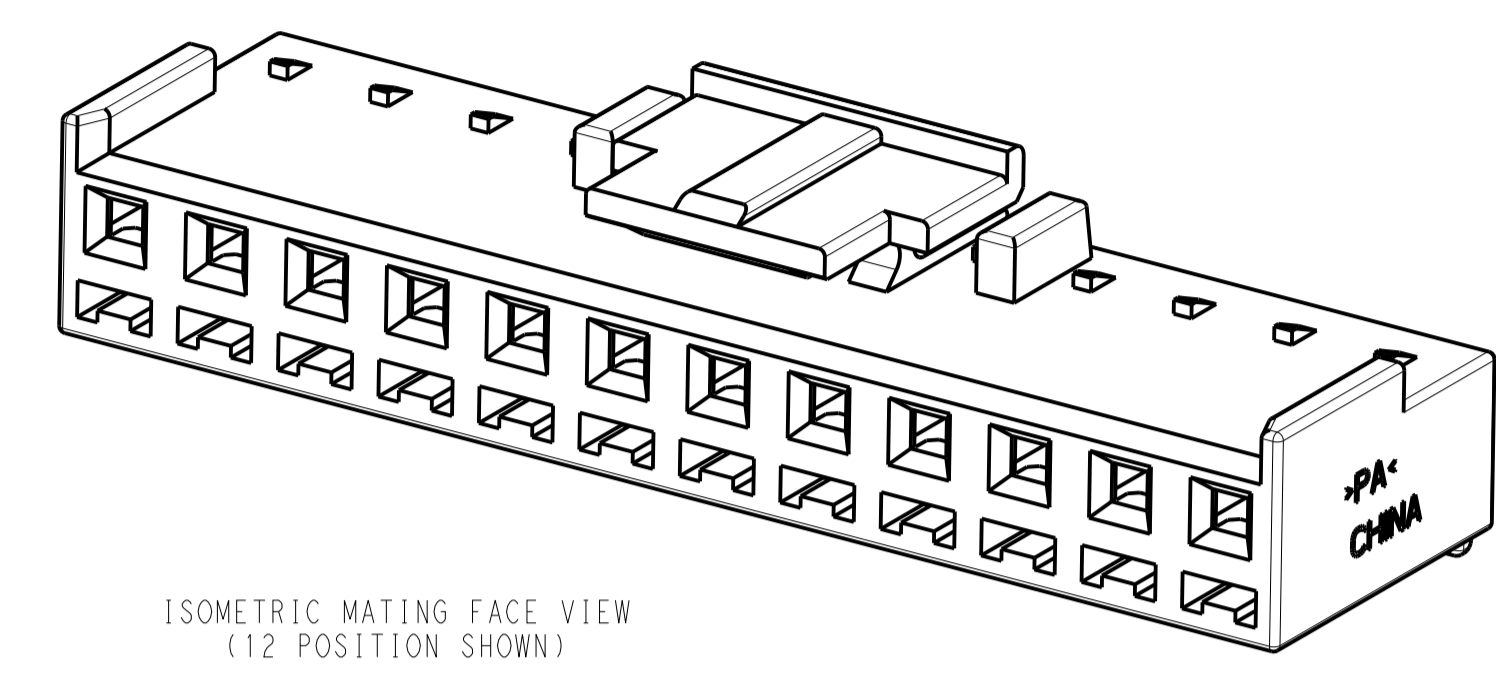
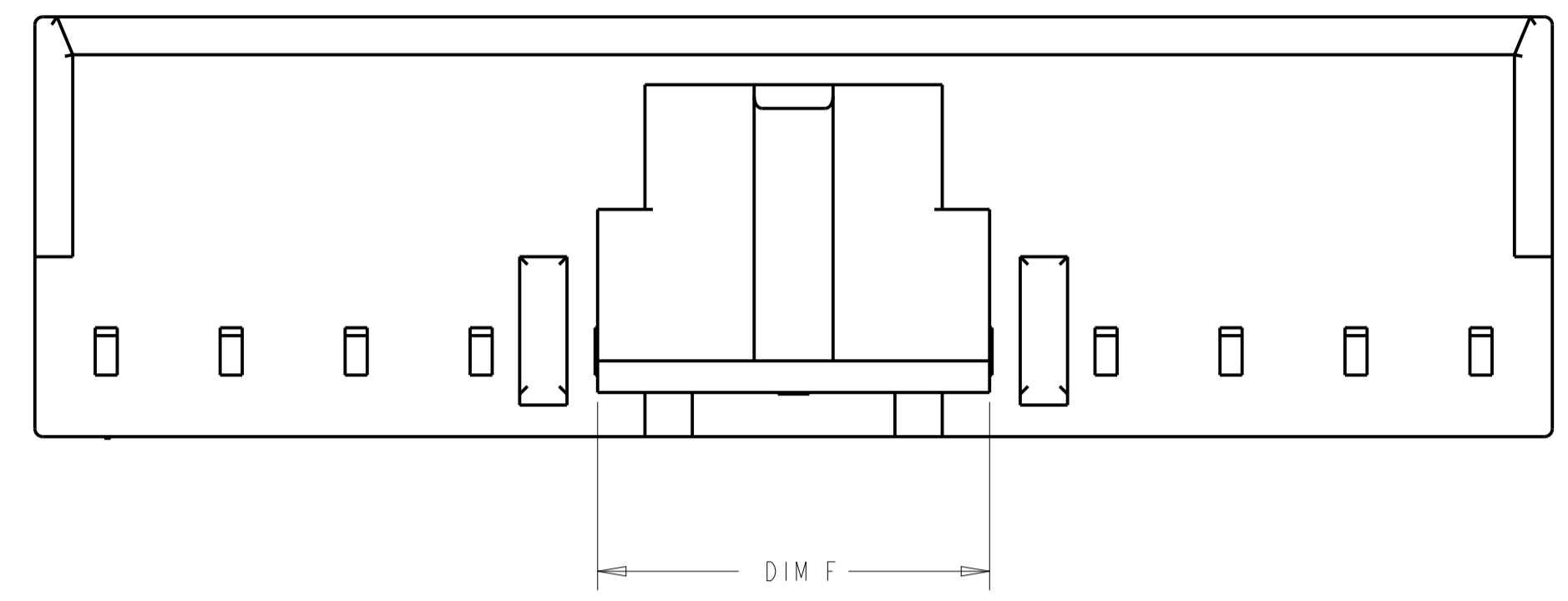
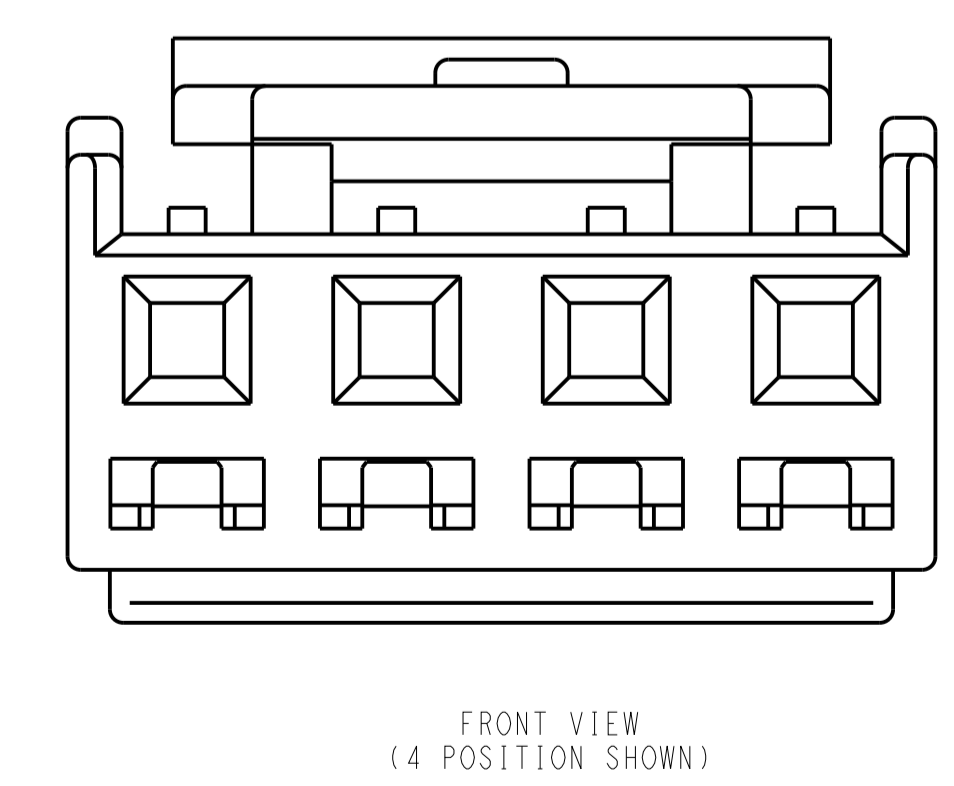
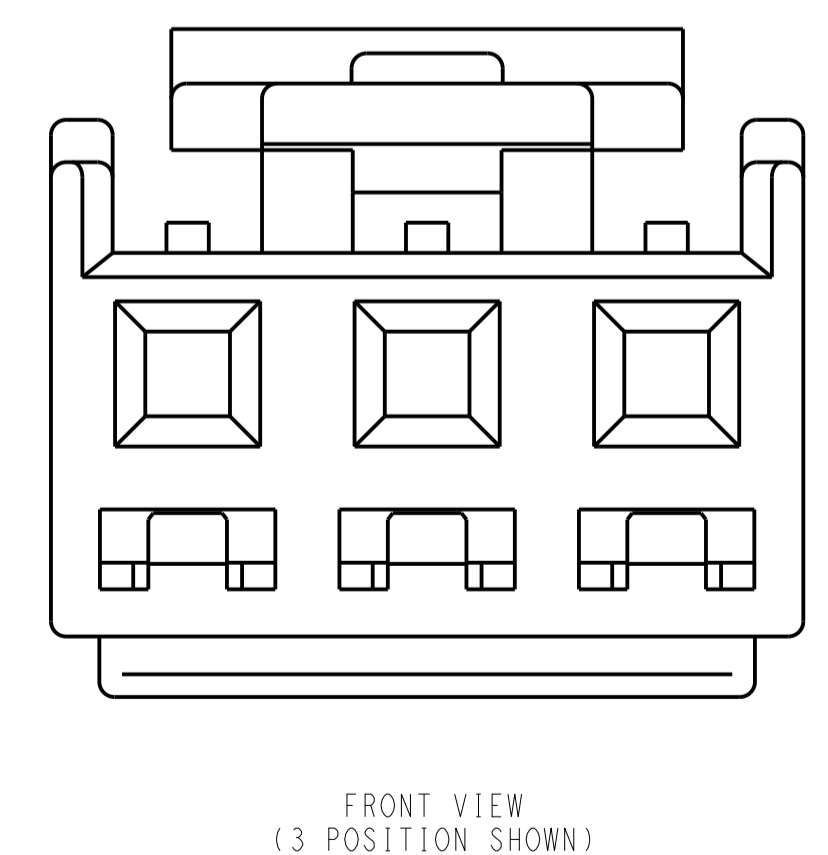
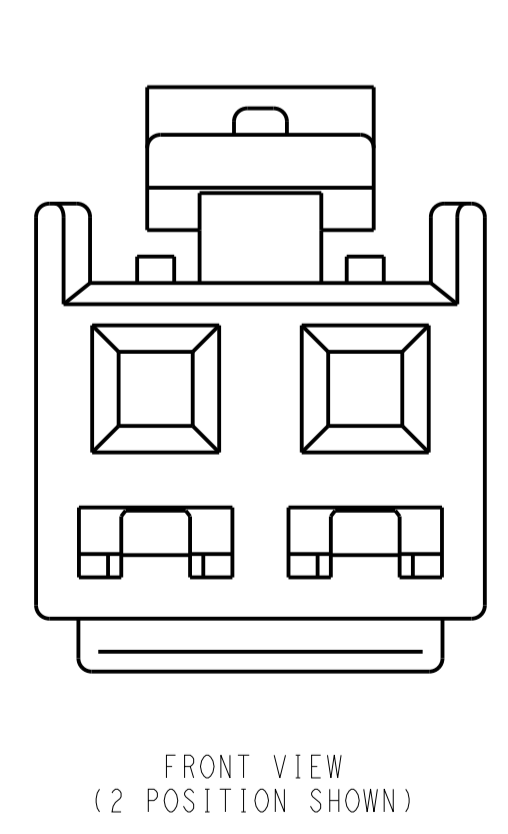


LOC		DIST		REVISIONS			
P	LTN	DESCRIPTION	DATE	DWN	APVD		
B		REVISED PER ECR-14-007967	19JUN2014	NK	MS		



△ MATERIAL: NYLON, UL94V-0 FLAME RETARDANT, COLOR: YELLOW  
 2 HOUSINGS TO USE "RETAINER":  
 "BREAKAWAY RETAINER" P/N: 1-2132782-2 (12 POSITION),  
 12 POSITION PART TO BE SEPERATED AT APPROPRIATE NOTCHES TO FIT  
 2 POSITION THRU 11 POSITION HOUSINGS  
 "NORMAL RETAINER" P/N: X-1744544-X  
 WHERE XX IS THE NUMBER OF POSITIONS.



DIM H	DIM F	DIM A	NO OF POSN	PART NUMBER
45.68	12.42	48.08	12	1-1744494-2
41.72	8.46	44.12	11	1-1744494-1
37.76	12.42	40.16	10	1-1744494-0
33.80	8.46	36.20	9	1744494-9
29.84	12.42	32.24	8	1744494-8
25.88	8.46	28.28	7	1744494-7
21.92	12.42	24.32	6	1744494-6
17.96	8.46	20.36	5	1744494-5
14.36	12.42	16.40	4	1744494-4
10.40	8.46	12.44	3	1744494-3
6.44	4.50	8.48	2	1744494-2

THIS DRAWING IS A CONTROLLED DOCUMENT. DWN: KIRAN HOLAL 14AUG2012  
 CHK: MACE SAM 14AUG2012  
 NAME: RECEPTACLE HOUSING, ECONOMY POWER 11, 3.96 CENTERLINE WITH RETAINING FEATURES, YELLOW  
 PRODUCT SPEC: -  
 APPLICATION SPEC: -  
 MATERIAL: -  
 FINISH: -  
 WEIGHT: -  
 SCALE: 7:1 SHEET 1 OF 1 REV B