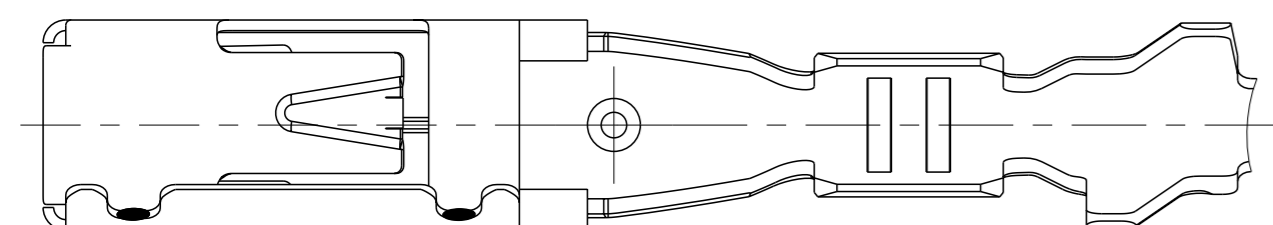
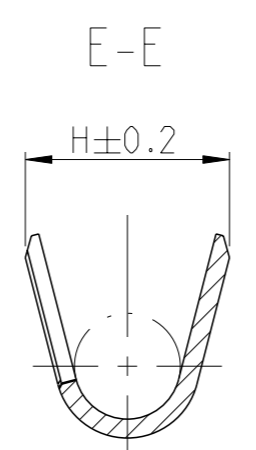
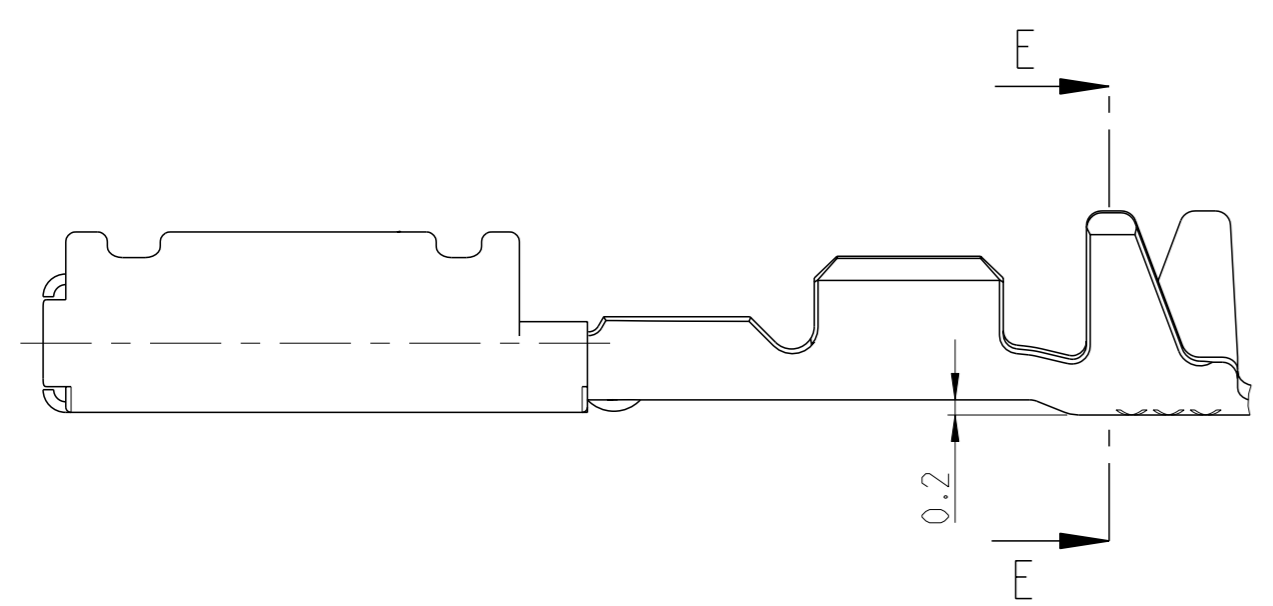
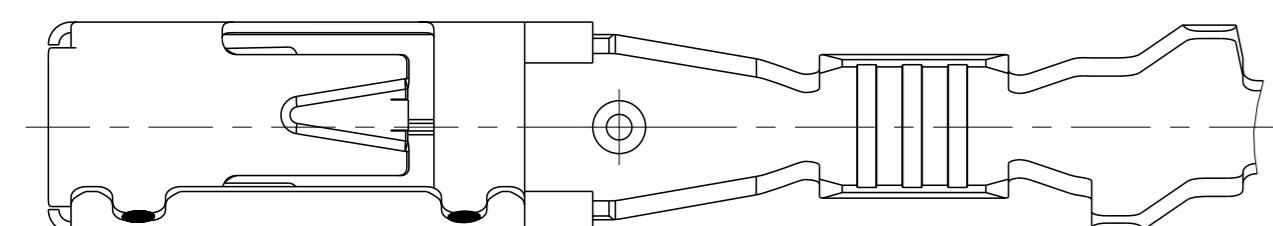


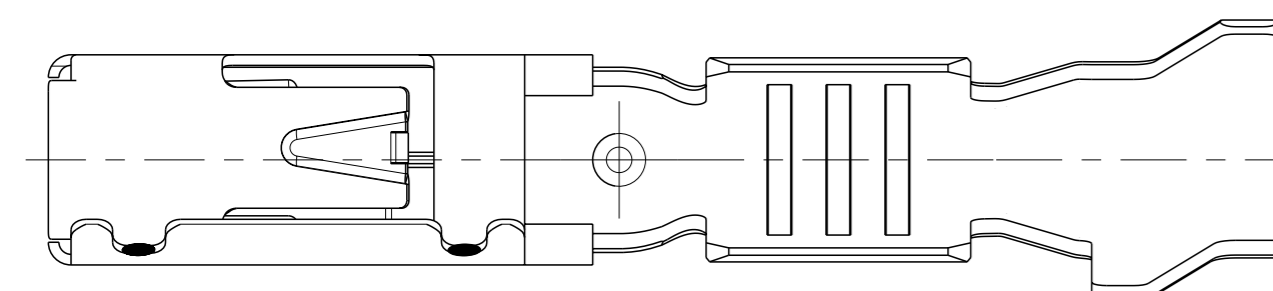
Normale Anwendung  
USUAL APPLICATION



Ausfuehrung 1 / DESIGN

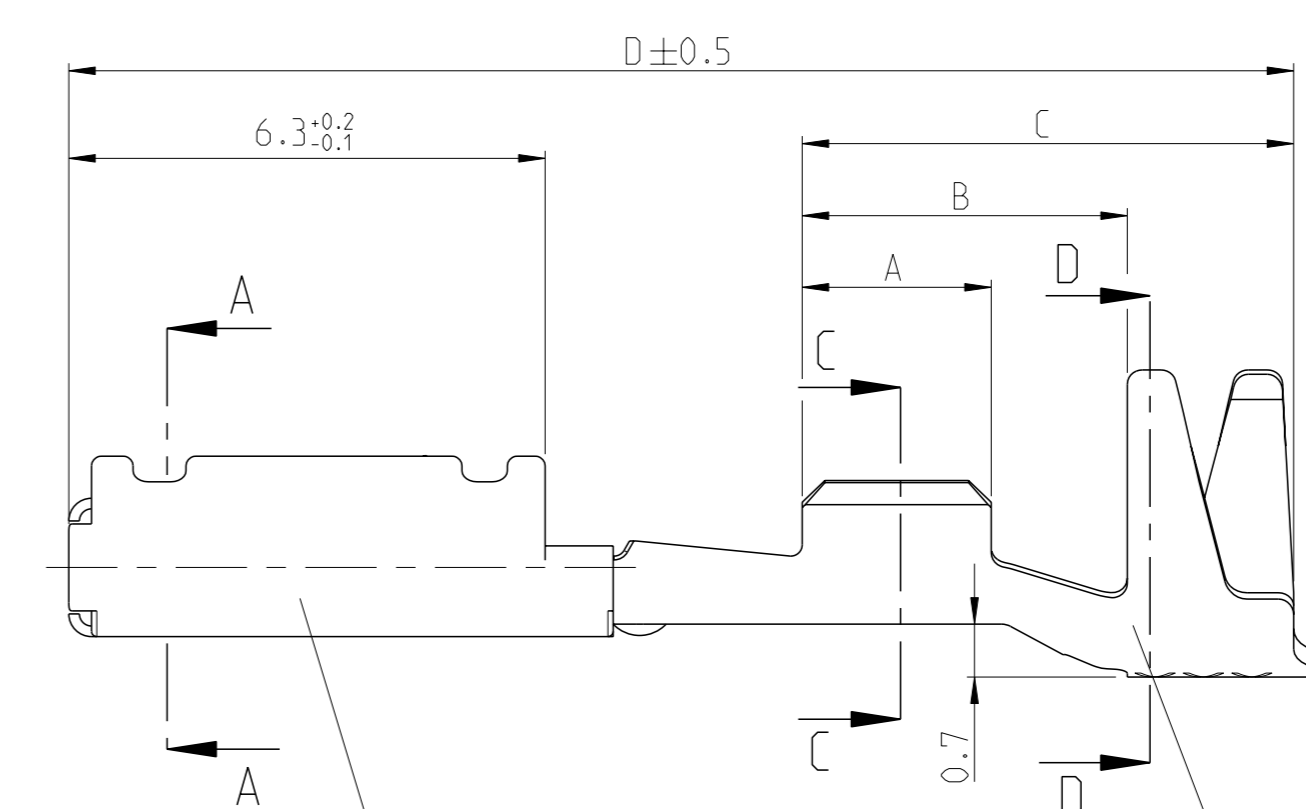
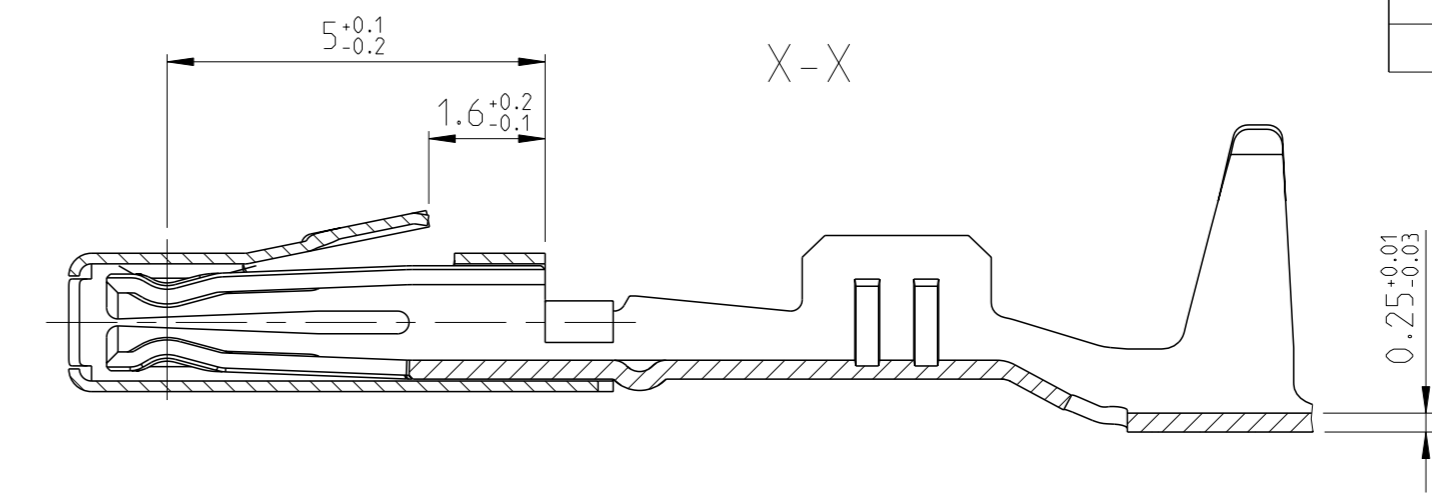
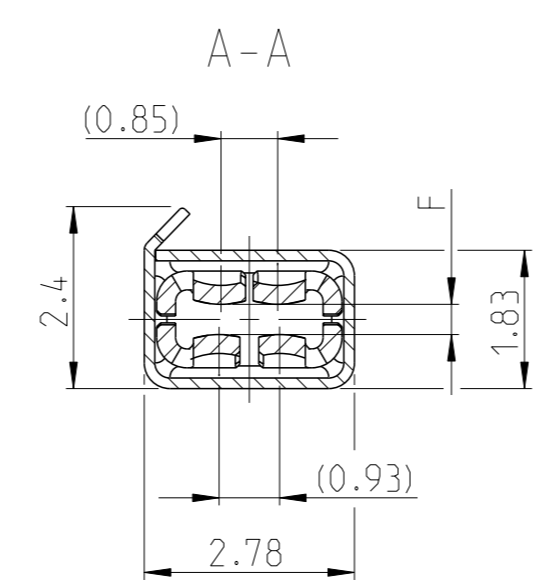


Ausfuehrung 2 / DESIGN



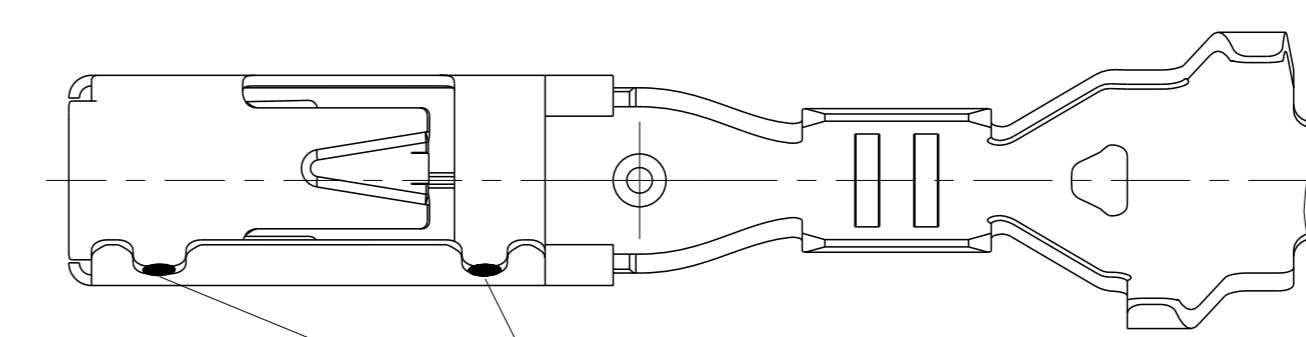
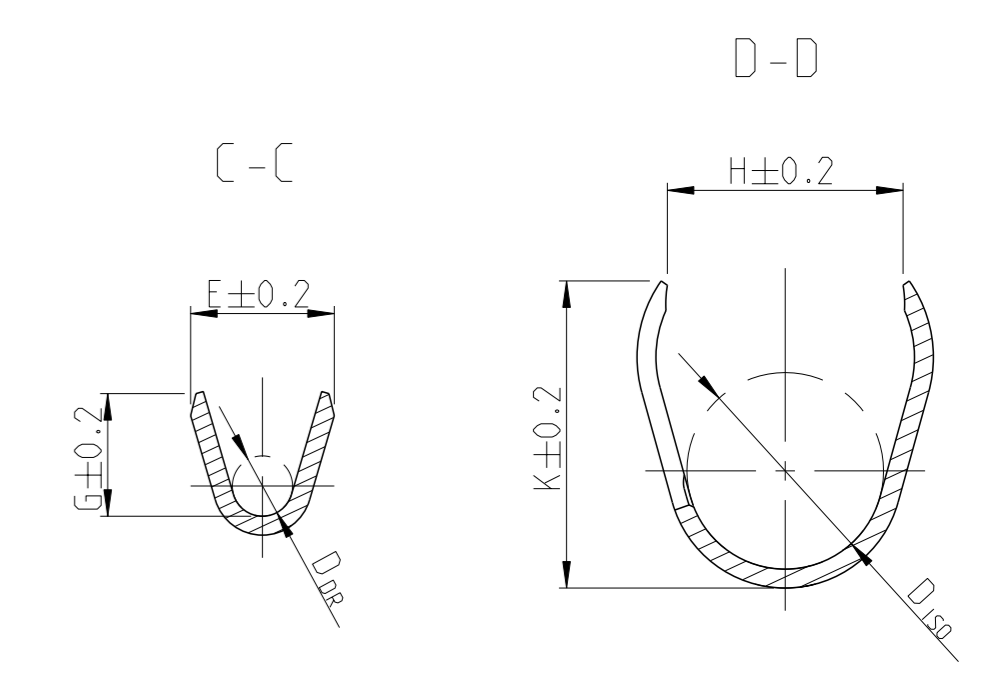
Ausfuehrung 3 / DESIGN

Einzel-Dichtungs-System  
SINGLE WIRE SYSTEM

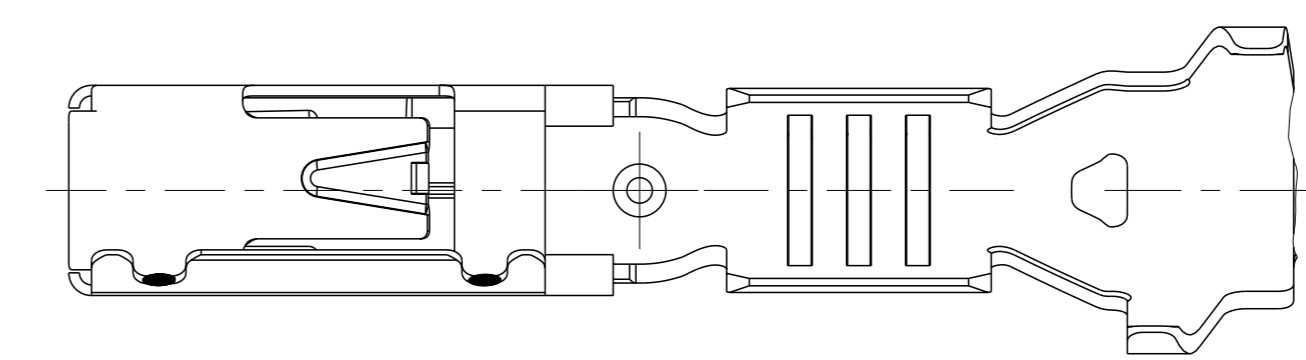


Ueberfeder/SPRING  
Material: X12CrNi17-7  
DIN 17224  
Oberflaeche: blank  
SURFACE: UNCOATED

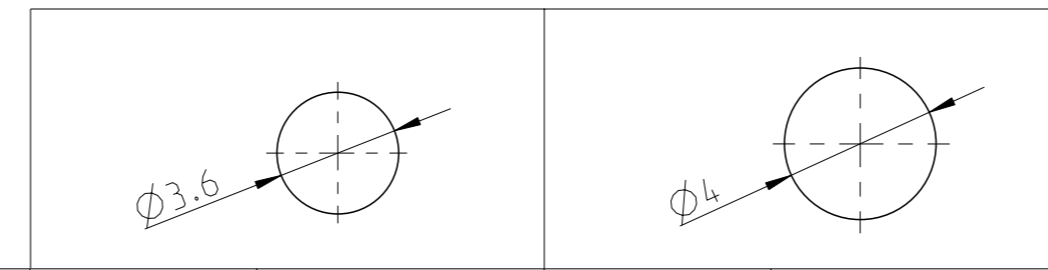
Kontaktkoerper/BODY  
Material: CuNiSi F57  
Oberflaeche: Sn: 0.8-2µm Sn  
SURFACE: Au: 1.8µm Au ueber Ni selektiv im Kontaktbereich  
1.8µm Au OVER Ni SELECTIVE IN CONTACT AREA



Ausfuehrung 4 / DESIGN



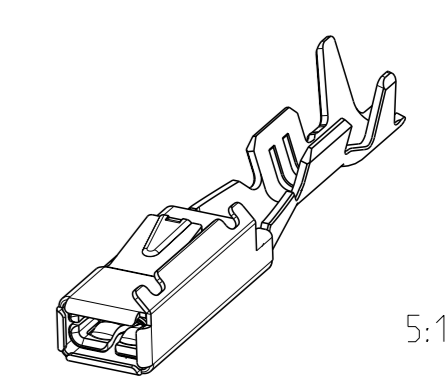
Ausfuehrung 5 / DESIGN



Bestell-Nr. ORDER NO.	REV.	Aus-fuehrung DESIGN	VERSION	DGB WIRE SIZE RANGE [mm <sup>2</sup> ]	Oberflaeche SURFACE	Art KIND	GRAMM	F [mm]	Laenge LENGTH	Drahtcrimp WIRE CRIMP	Iso' crimp INSU.CRIMP	DGB [mm <sup>2</sup> ]	Isolations-Ø INSUL.-DIA [mm]	fuer Kammer-Ø 3.6mm FOR CAVITY-DIA. 3.6mm	fuer Kammer-Ø 4mm FOR CAVITY-DIA. 4mm		
0-1241605-2	C		5	0.75-1.5	Au	C	0.2	0.4 <sup>+0.04</sup> <sub>-0.06</sub>	A = 3.5 B = 5.1 C = 7.3 D = 16.2	E = 2.7 G = 2.9 D <sub>DR</sub> = 1.4	H = 3.6 K = 3.9 D <sub>ISO</sub> = 2.9	1.0	1.9-2.4	-	-		
0-1241605-1	C		5		0.75							1.7-1.9	967067-1	gruen/GREEN	-	schwarz/BLACK	
0-1241603-2	C		4		1.0							1.9-2.4	-	-	-	-	
0-1241603-1	C		4		0.75							1.7-1.9	967067-1	gruen/GREEN	-	schwarz/BLACK	
0-1355553-3	A		3	0.35-0.5	Au	C	0.2	0.4 <sup>+0.04</sup> <sub>-0.06</sub>	A = 2.5 B = 4.3 C = 6.5 D = 16.2	E = 1.9 G = 1.9 D <sub>DR</sub> = 0.8	H = 3.1 K = 4.0 D <sub>ISO</sub> = 2.6	0.5	1.4-1.6	967067-1	gruen/GREEN	-	schwarz/BLACK
0-1355553-2	A		3		0.35							1.1-1.3	967067-2	gelb/YELLOW	-	grau/GREY	
0-1355553-1	A		3		0.5							1.4-1.6	967067-1	gruen/GREEN	-	schwarz/BLACK	
5-1355556-1	A		2		0.35							1.1-1.3	967067-2	gelb/YELLOW	-	grau/GREY	
0-1355556-3	A		1	0.75-1.5	Au	C	0.2	0.4 <sup>+0.04</sup> <sub>-0.06</sub>	A = 3.5 B = 5.1 C = 7.7 D = 16.5	E = 2.7 G = 2.9 D <sub>DR</sub> = 1.4	H = 3.7 K = 3.9 D <sub>ISO</sub> = 2.1	0.4	0.4-0.06	-	-		
0-1355556-2	A		1		0.4							0.4-0.06	-	-	-	-	
0-1355556-1	A		1		0.4							0.4-0.06	-	-	-	-	
0-1355556-1	A		1		0.4							0.4-0.06	-	-	-	-	

Bemerkungen  
NOTES

- 1 Kontakt nur fuer Testzwecke (erhoehte Steckzyklenzahl), nicht fuer Serieneinsatz  
CONTACT ONLY FOR SPECIAL TEST-APPLICATIONS (HIGH MATING CYCLES), NOT FOR SERIES-APPLICATION
- 2 Nur fuer FLR-Leitung nach DIN 72551, Teil 1  
FOR FLR-CONDUCTOR ACCORDING TO DIN 72551-6 ONLY
- 3 Einzelheiten der Ausfuehrung bleiben dem Hersteller ueberlassen  
DETAILS OF DESIGN ARE LEFT TO MANUFACTURER
- 4 Oberflaeche: blank, Material CuNi12Zn24  
SURFACE: UNCOATED, MATERIAL CuNi12Zn24



THIS DRAWING IS A CONTROLLED DOCUMENT.		OWN S. Garcia 04FEB2000	TE Connectivity	
DIMENSIONS: mm		CHK R. Jetter 04FEB2000	NAME	
TOLERANCES UNLESS OTHERWISE SPECIFIED:		APVD	PRODUCT SPEC	
0 PLC ± DIN	1 PLC ± 0.1	108-18030		
2 PLC ± 0.2	2 PLC ± 0.3	APPLICATION SPEC		
3 PLC ± 0.4	4 PLC ± 0.5	114-18286		
MATERIAL		WEIGHT	RESTRICTED TO	
-		-	A1 00779 ©=1241611	
-		Customer Drawing	SCALE 5:1 SHEET 1 OF 1 REV C8	