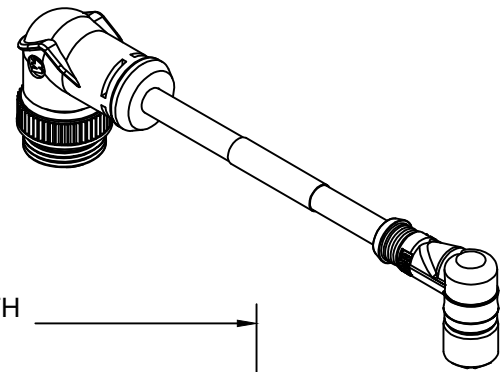


SAP P/N #	ENGINEERING P/N	FINISHED LENGTH
1300390187	DND39A-M005	0.5M [1FT 8 IN]
1300390621	DND39A-M150	15M [49FT 3 IN]
1300390623	DND39A-M300	30M [98FT 5 IN]

PART NUMBER LEGEND

DND39A-M002

LENGTH:
M005= 0.5 METER
M010= 1 METER
M100= 10 METER

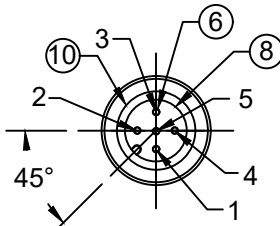
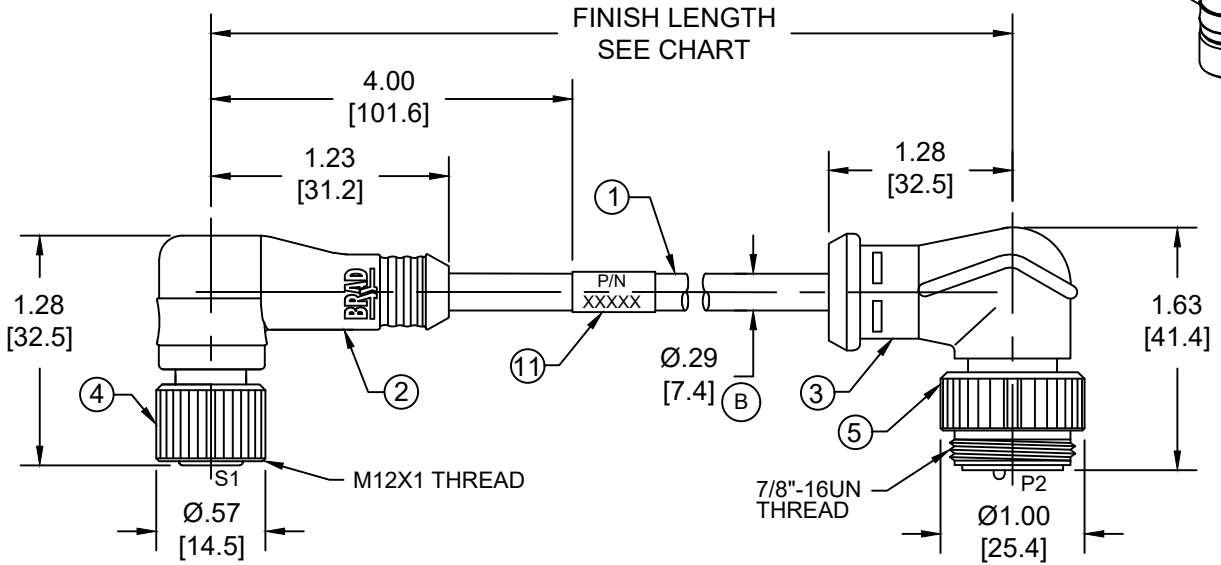


CABLE LENGTH TOLERANCES

<.3M [1FT]:	+19mm-0 [+ .75in-0]
.3 - .9M [1 - 3FT]:	+44.5mm-0 [+1.75in-0]
.9 - 1.8M [3 - 6FT]:	+55.6mm-0 [+2.19in-0]
1.8 - 3.7M [6 - 12FT]:	+88.9mm-0 [+3.50in-0]
3.7 - 7.3M [12 - 24FT]:	+165.1mm-0 [+6.50in-0]
7.3-14.6M [24 - 48FT]:	+317.5mm-0 [+12.50in-0]
14.6 - 30.5M [48-100FT]:	+622.3mm-0 [+24.50in-0]
OVER 30M [100FT]	+2% OF FINISHED LENGTH

NOTES:

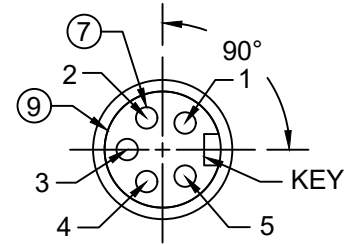
- MATERIAL: SEE TABLE
- FINISH: SEE TABLE
- ELECTRICAL:
VOLTAGE: 250V
CURRENT: 4A
- TEMP RATING: -20°C TO +80°C
- PROTECTION: IP67 (WHEN MATED)
- UL LISTED FILE: E152210
CSA CERTIFIED FILE: LR6837
- ALL DIMENSIONS ARE FOR REFERENCE UNLESS TOLERANCED OR NOTED OTHERWISE



FEMALE FACE VIEW

S1		P2
1	DRAIN	1
2	RED	2
3	BLACK	3
4	WHITE	4
5	BLUE	5

WIRING DIAGRAM



MALE FACE VIEW

11	WRAP LABEL	VINYL	BLACK/YELLOW
10	O-RING	NITRILE	RED
9	INSERT(MINI)	TPE	BLACK
8	INSERT(MICRO)	NYLON	BLACK
7	PIN CONTACT	COPPER ALLOY	GOLD OVER NICKEL
6	SOCKET CONTACT	COPPER ALLOY	GOLD OVER NICKEL
5	COUPLING NUT(MINI)	ZINC DIE-CAST	BLACK E-COAT
4	COUPLING NUT(MICRO)	ZINC DIE-CAST	BLACK E-COAT
3	OVERMOLD(MINI)	TPC	GRAY
2	OVERMOLD(MICRO)	TPC	GRAY
1	DEVICENET DROP CABLE	PVC JACKET	GRAY
ITEM	COMPONENT	MATERIAL	FINISH

FUNCTIONAL SYMBOLS										THIS DRAWING CONTAINS INFORMATION THAT IS PROPRIETARY TO MOLEX ELECTRONIC TECHNOLOGIES, LLC AND SHOULD NOT BE USED WITHOUT WRITTEN PERMISSION									
DIMENSION UNITS					SCALE					CURRENT REV DESC: ITEM-2, 3 & 9 WERE PVC. ADDED ITEM-10, TOL CHART, PN LEGEND, UL, CSA AND CABLE DIA. MODIFIED PN CHART									
INCH/MM					NTS														
GENERAL TOLERANCES (UNLESS SPECIFIED)										EC NO: 720800									
										DRWN: ABENJAMINLW 2022/07/28									
										CHK'D: RSTONE 2022/09/09									
										APPR: BWOODMAN 2022/09/09									
DIVISIONAL SYMBOLS										INITIAL REVISION:									
										DRWN: TWOLDEGE 2010/01/11									
										APPR: JFMURPHY 2010/01/20									
ANGULAR TOL ± °										THIRD ANGLE PROJECTION									
DRAFT WHERE APPLICABLE MUST REMAIN WITHIN DIMENSIONS										DRAWING A-SIZE									
										SERIES 130039									
										MATERIAL NUMBER SEE CHART									
										CUSTOMER GENERAL MARKET									
										SHEET NUMBER 1 OF 1									
DOCUMENT STATUS					P1 RELEASE DATE 2022/09/09 18:08:08					DOCUMENT NUMBER					DOC TYPE/DOC PART/REVISION				
										SD-130039-023					PSD 001 B				

DOCUMENT STATUS	P1	RELEASE DATE	2022/09/09	18:08:08
-----------------	----	--------------	------------	----------