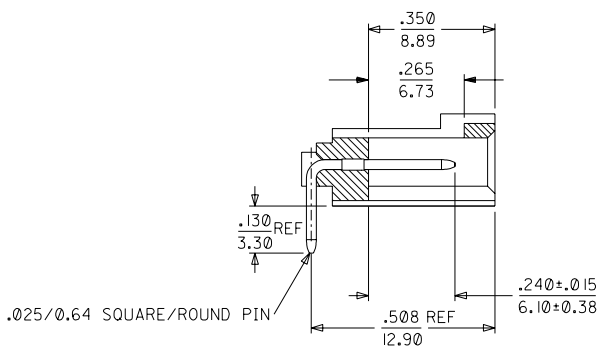
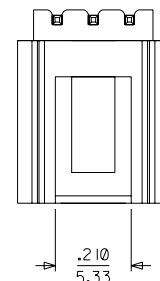
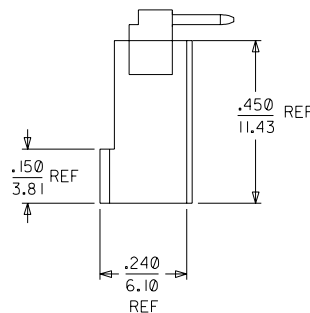
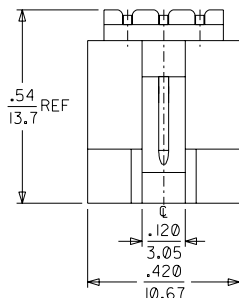
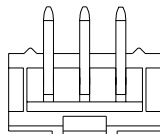
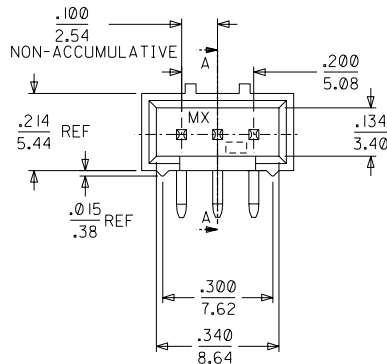


RECOMMENDED PC BOARD LAYOUT FOR .062/1.57 THK. BOARD SCALE 5:1



SECTION A-A



NOTES:

1. MATERIAL: HOUSING- HIGH TEMPERATURE GLASS-FILLED POLYESTER,(PCT)
材料:ハウジング 耐熱性ガラス入りポリエステル (PCT)
COLOR: BLACK, U.L. 94V-0
色:黒 UL 94V-0
2. FINISH CODE:
仕上げコード
571- 0.38 MICROMETERS MIN. GOLD PLATE IN SELECT AREA, 1.9 MICROMETERS MIN. TIN PLATE IN SELECT AREA, OVER NICKEL PLATE OVERALL.
0.38µm以上部分金メッキ
1.9µm以上部分銅メッキ
ニッケル下地メッキ
574- 0.76 MICROMETERS MIN. GOLD PLATE IN SELECT AREA, 1.9 MICROMETERS MIN. TIN PLATE IN SELECT AREA, OVER NICKEL PLATE OVERALL.
0.76µm以上部分金メッキ
1.9µm以上部分銅メッキ
ニッケル下地メッキ

3. PACKAGING IN TUBES PER PK-70873-0015.
梱包形態はPK-70873-0015に準拠

4. MATES WITH ZL SERIES 73046 FIBER CHANNEL CABLE ASSYS.
嵌合相手: ZLシリーズ (73046)

MAT'L NUMBER	FINISH CODE
74190-1002	571
74190-1003	574

MATERIAL		MOLEX		MOLEX-JAPAN CO.,LTD. 日本モレックス株式会社	
FINISH		REVISION		REVISION ONLY ON CAD SYSTEM	
WIRE RANGE		DRAWN BY		TITLE 名称	
INS. RANGE		CHK'D BY		RIGHT ANGLE 3 CIRCUIT FIBRE CHANNEL CABLE ASSEMBLY -LEAD FREE-	
COVER		APP'D BY		DWG. NO.	
REVISION RECORD		DATE		SD-74190-007	
GENERAL TOLERANCES		SCALE		REV	
		4:1		A	