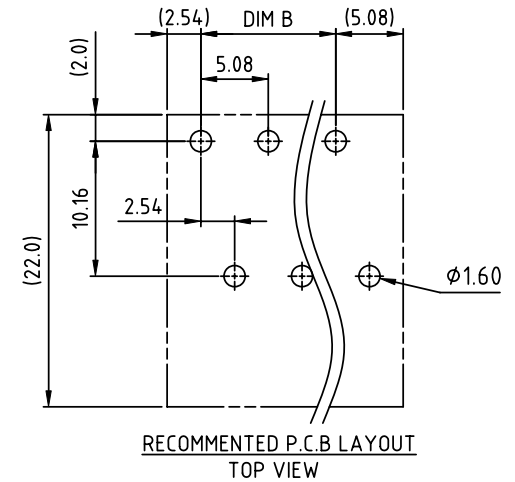
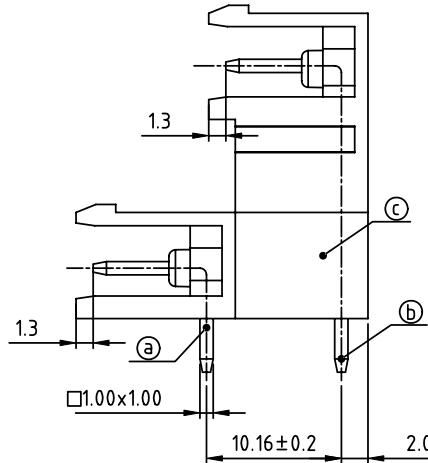
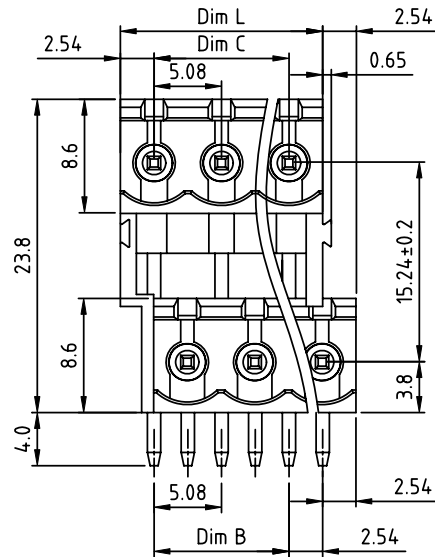
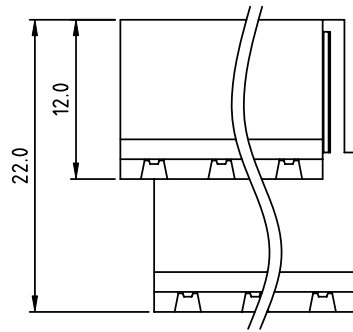


PRODUCT NUMBER	PITCH
VFxx50x100J0G	5.08 mm



Material:

- Item (a) Short pin: Copper, Tin plated
- Item (b) Long pin: Copper, Tin plated
- Item (c) Terminal (housing): Thermoplastic (UL94V-0)

Electrical cULus

- Voltage rating: 300VAC
- Current rating: 10A
- Withstanding Voltage: 1.6KV
- Operating temperature: -40°C to +115°C
- Soldering temperature: 260°C±5°C/5 Sec
- Safety Approval: us

PART NO.: VF xx 50 x 1 00J0 G

N=Number of poles	
Poles	Tolerance
2x2P-2x5P	±0.15
2x6P-2x10P	±0.20
2x11P-2x15P	±0.25
2x16P-2x20P	±0.30
2x21P-2x24P	±0.35

- | | | |
|--------------|---------------------|---|
| Solid block | 0 Black (RAL9005) | RoHS compliant (lead<4%)
In copper Alloy |
| No. of poles | 2 Red (RAL3001/D) | |
| 04 2x2poles | 3 Orange(RAL2011/P) | |
| 06 2x3poles | 4 Yellow(RAL1018/A) | |
| | 5 Green(RAL6018/T) | |
| 48 2x24poles | 6 Blue (RAL5015/A) | |
| | 8 Grey(RAL7035/D) | |
| | 9 White(RAL1102) | |
| | C Green(RAL6018/U) | |

Dimension	
Dim L	N/2x5.08
Dim B	(N/2-1)x5.08
Dim C	(N/2-1)x5.08

mat'l. code		surface ASME Y14.5	tolerance ASME Y14.5	projection	product family
ltr ecn no dr date		tolerances unless otherwise specified			TERMINAL BLOCK
		angles	X.±0.5	MM	title
		flat	X.X±0.3		TERMINAL BLOCK
		X°±1'	X.XX±0.1	scale	PLUGGALBE SOCKET, OPEN TYPE, RIGHT ANGLE
		dr	EVIN ZHONG 042914		dwg no
		engr	EVIN ZHONG 042914		sheet 1 of 1
		chr	HANKE FENG 042914		size
		appd	SHI JUN 042914		A4
sheet index	revision sheet	A	1		type
					CUSTOMER Drawing